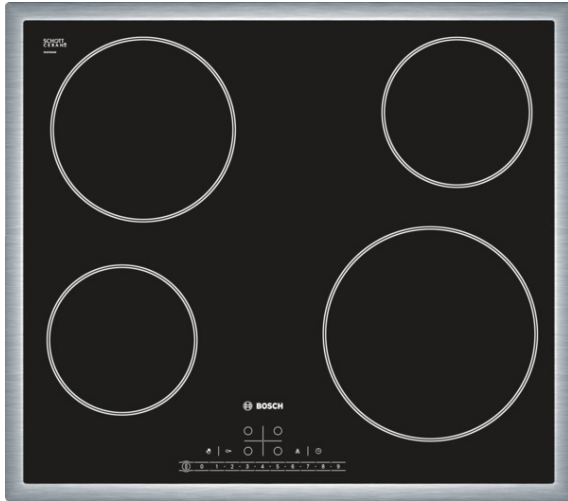


## Cooktops

### 24" Electric Cooktop 500 Series - Black with Stainless Steel Frame NET5466SC



- Infinite Temperature Controls for Precision Cooking

#### Technical Data

Sealed Burners :	No
Dimension of 1st heating element (in) :	6"
Power of 1st heating element (W) :	1.2
Dimension of 2nd heating element (in) :	7"
Power of 2nd heating element (W) :	2
Dimension of 3rd heating element (in) :	6"
Power of 3rd heating element (W) :	1.2
Dimension of 4th heating element (in) :	8"
Power of 4th heating element (W) :	2.2
UPC code :	825225907237
Variant color :	Black
Energy source :	Electric
Watts (W) :	6600
Current (A) :	30/30
Volts (V) :	240/208
Frequency (Hz) :	60
Approval certificates :	CUL
Power cord length (cm) :	96
Plug type :	no plug
Required cutout size (HxWxD) (in) :	4 1/3" x 22" x 19 1/4"
Required cutout size (HxWxD) (mm) :	110 x 560-560 x 490-490
Minimum distance from counter front (in) :	2 1/4"
Minimum distance from rear wall (in) :	2"
Overall appliance dimensions (HxWxD) (in) :	1/8"+4 1/3" x 23" x 20 1/5"
Overall appliance dimensions (HxWxD) (mm) :	110 x 583 x 513
Product packaging dimensions (HxWxD) (in) :	7 7/8" x 37 3/8" x 24"
Net weight (lbs) :	20
Net weight (kg) :	9.0
Gross weight (lbs) :	28
Gross weight (kg) :	13.0
Total number of cooktop burners :	4

## Cooktops

### 24" Electric Cooktop

#### 500 Series - Black with Stainless Steel Frame NET5466SC

---

##### **Design**

- High-end Stainless Steel Frame for a Premium Look

##### **Performance**

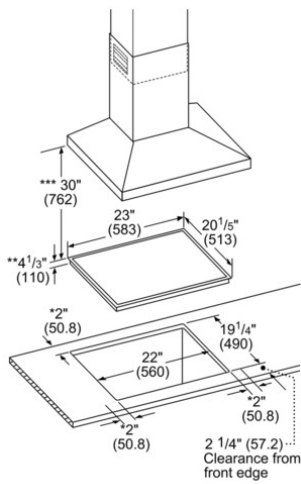
- Infinite Temperature Controls for Precision Cooking
- Powerful 2,200W Right-Front Burner for Faster Boil Times

##### **Safety**

- 2-Level Heat Indicator - Warns if Cooktop is Warm or Hot
- ChildLock - Prevents the Cooktop from Being Accidentally Switched on. Locks Temperature Settings if in Use.

## Cooktops

### 24" Electric Cooktop 500 Series - Black with Stainless Steel Frame NET5466SC



- \* Minimum clearance from the cooktop cutout to the wall
- \*\* Maximum depth
- \*\*\* Minimum clearance between cooktop surface and lower edge of exhaust hood

measurements in inches (mm)

