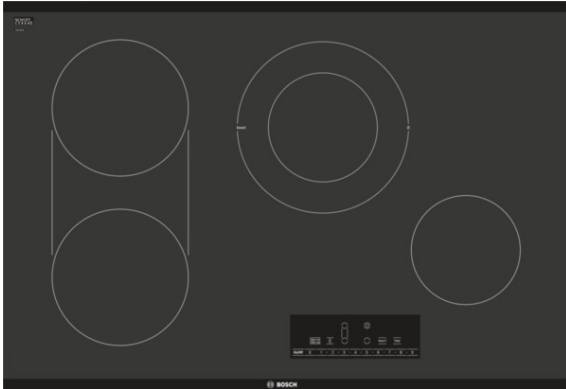


Cooktops

30" Electric Cooktop 800 Series - Black Frameless NET8068UC



Sleek in Design, and Features SpeedBoost® Which Adds Even More Power to the Cooking Process

- Bridge Element Accommodates Oblong Pans and Many Diameters of Cookware
- Each Zone's Timer Automatically Shuts Off When Cooking is Done
- SpeedBoost® Offers Shorter Heat-Up Times For Liquids
- PreciseSelect™ Offers 17 Different Direct Cooking Level Settings
- **Also Available with Stainless Steel Frame: NET8068SUC**

Technical Data

Sealed Burners :	No
Burners with booster :	Rear right
Dimension of 1st heating element (in) :	7"
Power of 1st heating element (W) :	4 ; 1.8
Dimension of 2nd heating element (in) :	7"
Power of 2nd heating element (W) :	1.8
Dimension of 3rd heating element (in) :	6", 9"
Power of 3rd heating element (W) :	1.4 ; 3.6
Dimension of 4th heating element (in) :	6"
Power of 4th heating element (W) :	1.2
UPC code :	825225920151
Variant color :	Black
Energy source :	Electric
Watts (W) :	8300
Current (A) :	40/30
Volts (V) :	240/208
Frequency (Hz) :	60
Approval certificates :	CSA
Power cord length (cm) :	96
Plug type :	no plug
Required cutout size (HxWxD) (in) :	4" x 28 7/8" x 20"
Required cutout size (HxWxD) (mm) :	102 x 731-731 x 505-505
Minimum distance from counter front (in) :	2 1/4"
Minimum distance from rear wall (in) :	2"
Overall appliance dimensions (HxWxD) (in) :	1/4"+4" x 31" x 21 1/4"
Overall appliance dimensions (HxWxD) (mm) :	102 x 788 x 540
Product packaging dimensions (HxWxD) (in) :	7 7/8" x 37 3/8" x 24"
Net weight (lbs) :	26
Net weight (kg) :	12.0
Gross weight (lbs) :	34
Gross weight (kg) :	16.0
Total number of cooktop burners :	4

Optional accessories

- HEZ390210 : System pan Ø 15cm
- HEZ390220 : System pan Ø 19cm
- HEZ390230 : System pan diameter 21cm

Cooktops

30" Electric Cooktop 800 Series - Black Frameless NET8068UC

Sleek in Design, and Features SpeedBoost® Which Adds Even More Power to the Cooking Process

Design

- Black-glass Seamless Design
- Cooktop Design Coordinates with Bosch Ovens and Ventilation

Performance

- Dual Element Offers the Capability to use Multiple Pan Sizes
- Bridge Element Accommodates Oblong Pans and Multiple Diameter Sized Cookware
- SpeedBoost® - Delivers More Power to Speed Up the Cooking Process

Convenience

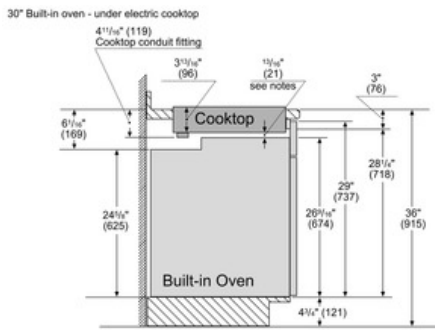
- PreciseSelect® - Direct Cooking Level Selection - 17 Settings for Precise Control
- Countdown Timer - Built-In Timers for Each Element. Doubles as General-Purpose Kitchen Timer.
- Clean Lock - Prevents Unwanted Changing of Settings while Cleaning Spill-Overs.

Safety

- 2-Level Heat Indicator - Warns if Cooktop is Warm or Hot
- ChildLock - Prevents the Cooktop from Being Accidentally Switched on. Locks Temperature Settings if in Use.

Cooktops

30" Electric Cooktop 800 Series - Black Frameless NET8068UC

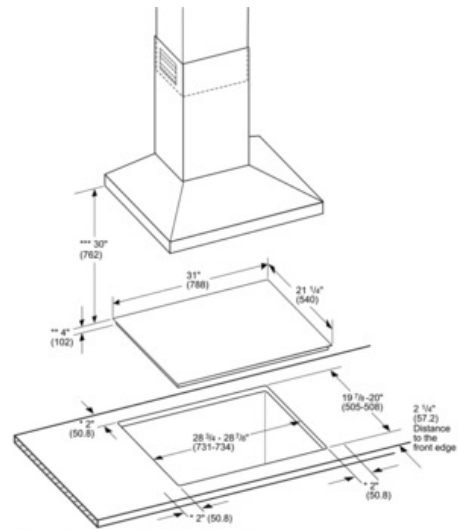


Notes:

Dimensions based on standard countertop height (36" with 4 1/4" toe kick including base plate).

The built-in oven can be installed below the electric cooktop as long as there is no contact between the bottom of the cooktop and the top of the oven.

measurements in inches (mm)



- * Minimum distance from the cooktop cutout to the wall
- ** Maximum cutout depth
- *** Minimum distance between the cooktop surface and lower edge of the exhaust hood.

Dimensions in inches (mm)