

36" Stainless Steel Electric Cooktop with SteelTouch™ Control and AutoChef®

800 Series - Black and Stainless Steel

NET8654UC



Features and Benefits

Key Features

- SteelTouch™ with PreciseSelect™ - A Bosch Exclusive. High-end, Stainless Steel Touch Controls with Direct Cooking Selection (17 Settings).
- 3-Zone 12" Heating Element with Powerful 3080W. 3 Heating Zone Sizes in One. Accommodates a Variety of Pan Sizes.
- PowerStart™ - Initial Maximum Power Output, Then Automatic Decrease to Pre-Selected Temperature. Avoids Boil Overs.
- AutoChef® Sensor - A Bosch Exclusive. Maintains Exact Frying Temperature for Perfect Results and Convenient, Healthy, Nutritional Cooking.
- Countdown Timer - Built-In Timers for Each Element. Doubles as General-Purpose Kitchen Timer.

Design

- SteelTouch™ with PreciseSelect™ - A Bosch Exclusive. High-end, Stainless Steel Touch Controls with Direct Cooking Selection (17 Settings).
- Front and Back Stainless Steel Strip for a Premium Look

Performance

- AutoChef® Sensor - A Bosch Exclusive. Maintains Exact Frying Temperature for Perfect Results and Convenient, Healthy, Nutritional Cooking.
- PowerStart™ - Initial Maximum Power Output, Then Automatic Decrease to Pre-Selected Temperature. Avoids Boil Overs.
- 3-Zone 12" Heating Element with Powerful 3080W. 3 Heating Zone Sizes in One. Accommodates a Variety of Pan Sizes.
- Bridge Element Accommodates Oblong Pans and Multiple Diameter Sized Cookware
- Dual Element Offers the Capability to use Multiple Pan Sizes

Convenience

- Bosch Recommended Pan Included. Excellent Heating Performance and

Notes: All height, width and depth dimensions are shown in inches. *Please refer to installation instructions prior to making cutout. BSH reserves the absolute and unrestricted right to change product materials and specifications, at any time, without notice. Consult the product's installation instructions for final dimensional data and other details. Applicable product warranty can be found in a accompanying product literature or you may contact your account manager for further details.

For more information on our entire line of products, go to boschappliances.com or call 1-800-944-2904.

Copyright ©2013 BSH Home Appliances Corporation. All rights reserved. Bosch is a registered trademark of Robert Bosch GmbH.

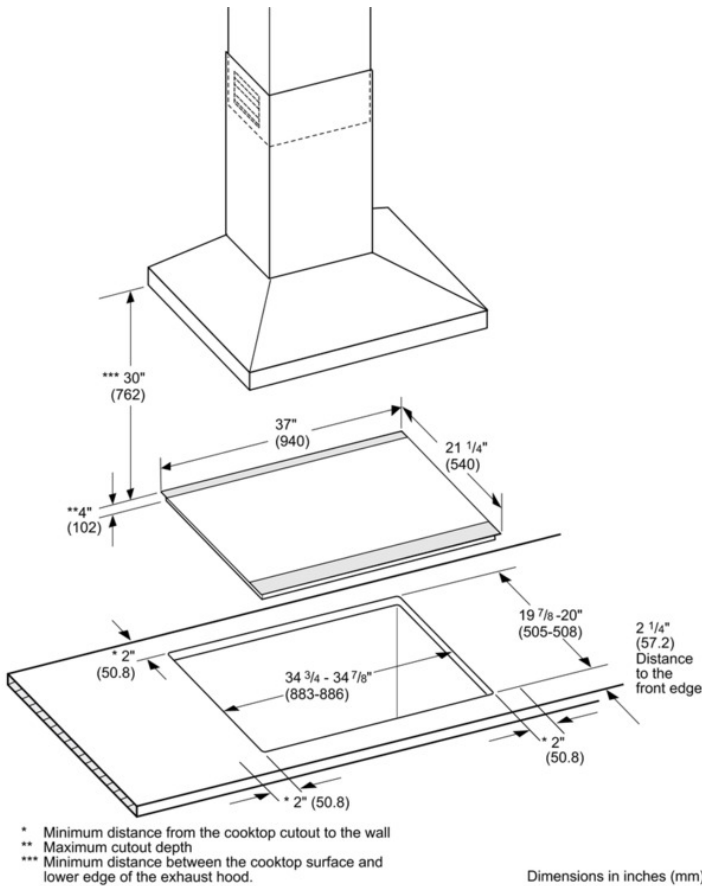
Litho Date: 04/2013



36" Stainless Steel Electric Cooktop with SteelTouch™ Control and AutoChef®

800 Series - Black and Stainless Steel

NET8654UC



Features

Knob Material	
Sealed Burners	No
Burners with booster	
Type of grate	
Total BTU load	
LP Gas Connection Rating (BTU)	
Power of 1st heating element (kW in boost)	
Dimension of 1st heating element (in)	7"
Power of 2nd heating element (kW in boost)	
Dimension of 2nd heating element (in)	7"
Power of 3rd heating element (kW in boost)	
Dimension of 3rd heating element (in)	12", 6", 8"
Power of 4th heating element (kW in boost)	
Dimension of 4th heating element (in)	6"
Power of 5th heating element (kW in boost)	
Dimension of 5th heating element (in)	5", 8"
Power of 6th heating element (kW in boost)	
Dimension of 6th heating element (in)	

Technical Specification

UPC code	825225867647
Variant color	Black
Energy source	Electric
Gas type	
Alternative gas type	
Watts (W)	10180
Current (A)	42
Volts (V)	240/208
Frequency (Hz)	60
Approval certificates	CUL
Power cord length (in)	
Plug type	No plug
Required cutout size (HxWxD) (in)	4" x 34 7/8" x 20"
Minimum distance from counter front (in)	2 1/4"
Minimum distance from rear wall (in)	2"
Overall appliance dimensions (HxWxD) (in)	1/4"+4" x 37" x 21 1/4"
Product packaging dimensions (HxWxD) (in)	7 7/8" x 43 5/16" x 24"
Net weight (lbs)	33
Gross weight (lbs)	42
Total number of cooktop burners	5

Notes: All height, width and depth dimensions are shown in inches. *Please refer to installation instructions prior to making cutout. BSH reserves the absolute and unrestricted right to change product materials and specifications, at any time, without notice. Consult the product's installation instructions for final dimensional data and other details. Applicable product warranty can be found in a accompanying product literature or you may contact your account manager for further details.

For more information on our entire line of products, go to boschappliances.com or call 1-800-944-2904.
 Copyright ©2013 BSH Home Appliances Corporation. All rights reserved. Bosch is a registered trademark of Robert Bosch GmbH.

Litho Date: 04/2013

