

LP Gas Conversion Kit

Installation Manual

NGM5056UC, NGMP056UC, NGM5656UC, NGM8056UC,
NGM8656UC, NGMP656UC



BOSCH

Invented for life



Table of Contents

Safety Definitions	2	Step 3 - Replace the burners, burner caps and grates	9
IMPORTANT SAFETY INSTRUCTIONS	3	Step 4 - Convert valves for LP gas	10
Gas Appliance Safety	3	Check Installation	11
State of California Proposition 65 Warning	4	Test for gas leaks	11
Before You Begin	5	Check manifold gas pressure	11
Parts Included	5	Final check	11
Tools and Parts Needed	5	Service	12
Installation Procedure	6	Before Calling Service	12
Checklist	6		
Step 1 - Convert the pressure regulator	6		
Step 2 - Replace the orifices	7		

This Bosch Appliance is made by
BSH Home Appliances Corporation
1901 Main Street, Suite 600
Irvine, CA 92614

Questions?
1-800-944-2904
www.bosch-home.com/us

We look forward to hearing from you!

Safety Definitions

▲ WARNING

This indicates that death or serious injuries may occur as a result of non-observance of this warning.

▲ CAUTION

This indicates that minor or moderate injuries may occur as a result of non-observance of this warning.


NOTICE: This indicates that damage to the appliance or property may occur as a result of non-compliance with this advisory.

Note: This alerts you to important information and/or tips.

IMPORTANT SAFETY INSTRUCTIONS

READ AND SAVE THESE INSTRUCTIONS

Gas Appliance Safety

 **WARNING:** If the information in these instructions is not followed exactly, a fire or explosion may result causing property damage, personal injury or death.

- Do not store or use gasoline or other flammable vapors and liquids in the vicinity of this or any other appliance.
- **WHAT TO DO IF YOU SMELL GAS**
 - Do not try to light any appliance.
 - Do not touch any electrical switch.
 - Do not use any phone in your building.
 - Immediately call your gas supplier from a neighbor's phone. Follow the gas supplier's instructions.
 - If you cannot reach your gas supplier, call the fire department.
- Installation and service must be performed by a qualified installer, service agency or the gas supplier.

IMPORTANT SAFETY INSTRUCTIONS

READ AND SAVE THESE INSTRUCTIONS

BOSCH COOKTOP CONVERSION KIT FOR TRADITIONAL MODELS NATURAL GAS (NG) TO PROPANE (LP) GAS.

This kit is used to convert only NGMXXX6UC sealed burner cooktops from natural gas operation to propane gas operation. This kit cannot be used to convert other Bosch model sealed burner cooktops, ranges, or any other brand of cooktops.

WARNING

This conversion kit shall be installed by a qualified service agency in accordance with the manufacturer's instructions and all applicable codes and requirements of the authority having jurisdiction. If the information in these instructions is not followed exactly, a fire, explosion or production of carbon monoxide may result causing property damage, personal injury or loss of life.

The qualified service agency is responsible for the proper installation of this kit. The installation is not proper and complete until the operation of the converted appliance is checked as specified in the manufacturer's instructions supplied with the kit.

IMPORTANT: Only a qualified service technician or installer should make this conversion.

INSTALLER: Please leave these Conversion Instructions with this unit for the owner.

OWNER: Please retain these instructions for future reference.

For Massachusetts Installations:

1. Installation must be performed by a qualified or licensed contractor, plumber, or gas fitter qualified or licensed by the state, province or region.
2. Shut-off valve must be a "T" handle gas cock.
3. Flexible gas connector must not be longer than 36 inches.

CAUTION

When connecting the unit to the propane gas, make certain the propane gas tank is equipped with its own high pressure regulator. In addition, a pressure regulator was supplied with the cooktop. This second regulator must be installed with the cooktop. The maximum gas pressure to this appliance is not to exceed 14.0 inches water column from the propane gas tank regulator.

The following must be met when testing supply piping system:

a) The appliance and its individual shut-off valve must be disconnected from the gas supply piping system at test pressures in excess of 1/2 psig (3.5 kPa).

b) The appliance must be isolated from the gas supply piping system by closing its individual manual shut-off valve during any pressure testing of the gas supply piping system at test pressures equal to or less than 1/2 psig (3.5 kPa).

State of California Proposition 65 Warning:

WARNING

This product can expose you to chemicals including vinyl chloride, which is known to the State of California to cause cancer and birth defects or other reproductive harm. For more information go to www.P65Warnings.ca.gov.

Note: IMPORTANT SAFETY NOTICE: The California Safe Drinking and Toxic Enforcement Act requires the Governor of California to publish a list of substances known to the state to cause cancer, birth defect or other reproductive harm, and requires businesses to warn customers of potential exposure to such substances. The burning of gas cooking fuel and the elimination of soil during self-cleaning can generate small amounts of carbon monoxide. The fiberglass insulation in Self Clean ovens gives off very small amounts of formaldehyde during the first several cleaning cycles. California lists formaldehyde as a potential cause of cancer. Carbon monoxide is a potential cause of reproductive toxicity. Exposure to these substances can be minimized by:

1. Providing good ventilation when cooking with gas.
2. Operating the unit according to the instructions in this manual.

Before You Begin

Parts Included

Installation kit contents

Component	Quantity
Conversion Kit Instructions	1
Conversion sticker	1
Foam tape	1
112 orifice	1
106 orifice	1
88 orifice	3
65 orifice	2
30 orifice	1

Main orifices

NGM5056UC		BTU/hr	kW
112	Front right	15,000	4.39
88	Front left	9,100	2.67
88	Rear left	9,100	2.67
65	Rear right	5,000	1.47

NGM8056UC		BTU/hr	kW
112	Center	15,000	4.39
65	Front Right	5,000	1.47
88	Front Left	9,100	2.67
65	Rear Left	5,000	1.47
88	Rear Right	9,100	2.67

NGMP056UC		BTU/hr	kW
106	Large Center	15,000*	4.39*
30	Small Center		
65	Front Right	5,000	1.47
88	Front Left	9,100	2.67
65	Rear Left	5,000	1.47
88	Rear Right	9,100	2.67

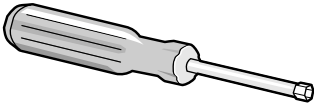
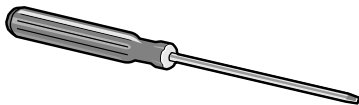
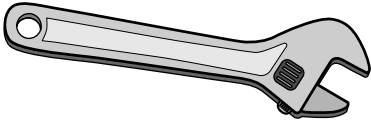
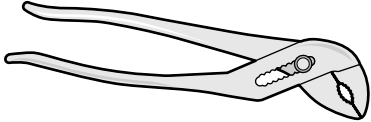
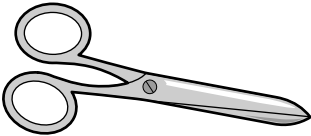
*Combined rate of 106 and 30 orifices produce 15,000 BTU/ 4.39 kW.

NGMP656UC		BTU/hr	kW
106	Large Center	15,000*	4.39*
30	Small Center		
88	Front Right	9,100	2.67
88	Front Left	9,100	2.67
88	Rear Left	9,100	2.67
65	Rear Right	5,000	1.47

*Combined rate of 106 and 30 orifices produce 15,000 BTU/ 4.39 kW.

NGM5656UC, NGM8656UC		BTU/hr	kW
112	Center	15,000	4.39
88	Front Right	9,100	2.67
88	Front Left	9,100	2.67
88	Rear Left	9,100	2.67
65	Rear Right	5,000	1.47

Tools and Parts Needed

	7 mm socket driver (3 inch minimum extension)
	Flat blade screwdriver, small thin blade
	Adjustable wrench and/or slip joint pliers
	
	Scissors

Installation Procedure

This conversion process adjusts the flow of gas to the burners to accommodate an LP gas fuel source.

⚠ CAUTION

TURN OFF GAS AND ELECTRICITY

Perform the following:

- shut off the gas valve for the gas supply line to the cooktop
- remove the cooktop power cord from the electrical outlet or turn off the breaker at the breaker box.
- turn all control knobs to the “Off” position.

Checklist

Each of the following steps must be completed correctly for the appliance to function properly.

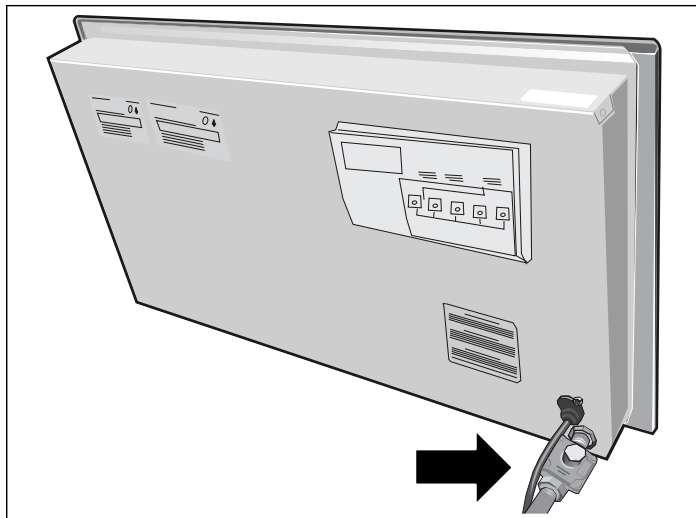
Check off each step as it is finished.

<input type="checkbox"/> Step 1	Convert the pressure regulator to use LP gas.
<input type="checkbox"/> Step 2	Remove the grates, burner caps and burners. Remove the Natural Gas (NG) orifices and replace them with the LP gas orifices supplied with this kit. See <i>Before You Begin</i> chapter on previous page for correct placement of orifice by model number.
<input type="checkbox"/> Step 3	Replace the burners, burner caps and grates.
<input type="checkbox"/> Step 4	Adjust the unit valves to LP settings.

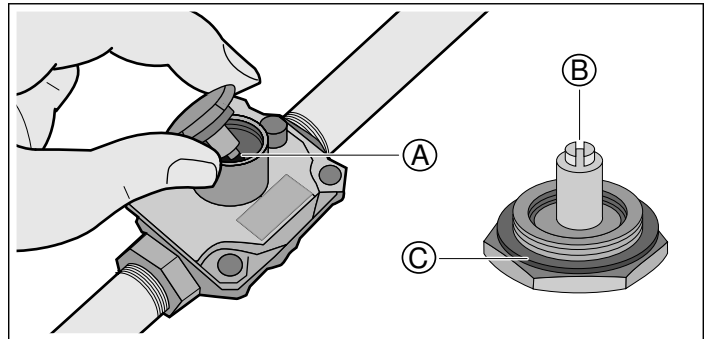
Step 1 - Convert the pressure regulator

Locate the pressure regulator on the bottom right end of the cooktop.

Note: The arrow on the back of the regulator must point in the direction of the gas flow to the cooktop.

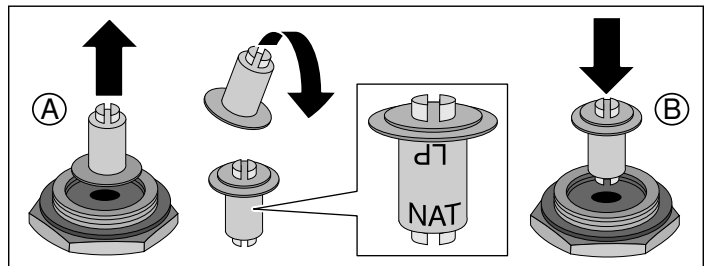


1. Remove the hexagon shaped cap from the regulator making sure not to dislodge the gasket on the cap or the spring inside the regulator.
2. Grasp the plastic button stem firmly and pull it forcefully from the metal cap. The stem snaps snugly into an indent in the cap and may require a strong pull to remove. (Hint: it may be helpful to gently “rock” the plastic stem while pulling it from the metal cap.)

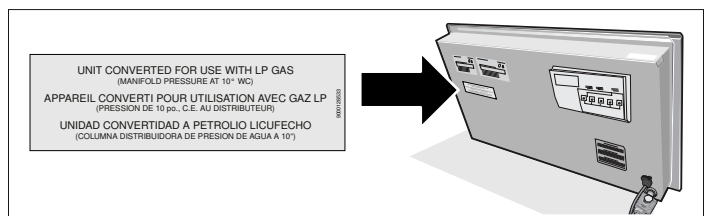


A	Spring
B	Plastic button stem
C	Gasket

3. After removing the stem from the cap, rotate the stem 180° so the button end of the stem is away from the cap and the letters “LP” on the stem are upside down when the cap is set flat on its head. Snap the stem back in place in this position inserting it into the indent in the metal cap. The stem should snap into place.



4. **Important:** Attach the metallic sticker (included with this conversion kit) to the bottom of the appliance as shown, placing it near the appliance data plate (shows model number and information about the appliance). This sticker provides notice that the appliance has been converted for use with LP gas.



Step 2 - Replace the orifices

▲ WARNING

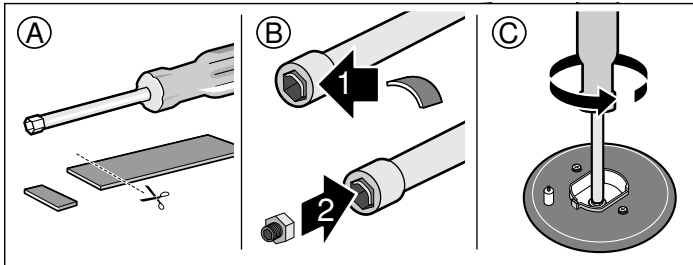
To prevent burns, do not touch grates, burner caps or burners while hot. Turn the cooktop off and allow the burners to cool.

1. Remove the grates and burner caps and burners.
2. Remove the orifices.

Notes

- The orifices require a 7 mm socket driver for removal/replacement. The driver will need to be inserted approximately 2½" (64 mm) into the burner cavity to reach the orifice.
- To reduce the chance of the orifice being dropped from the socket driver, add a piece of foam tape or adhesive tape inside the socket.

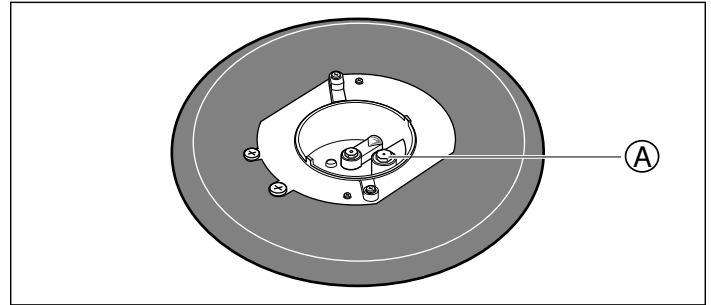
- A** Trim a small piece of the foam tape provided with this kit (about ¼" x ½" / 6 mm x 12 mm)
- B** Fit this so the tape wraps against one side of the socket so it stays in place.
- C** The tape will fit to the orifice and help prevent the orifice from falling out of the socket during extraction.



Save the NG orifices in case there is need later to restore the appliance to use natural gas again.

3. Identify the correct placement of the LP gas orifices as detailed in the *Before You Begin* chapter.

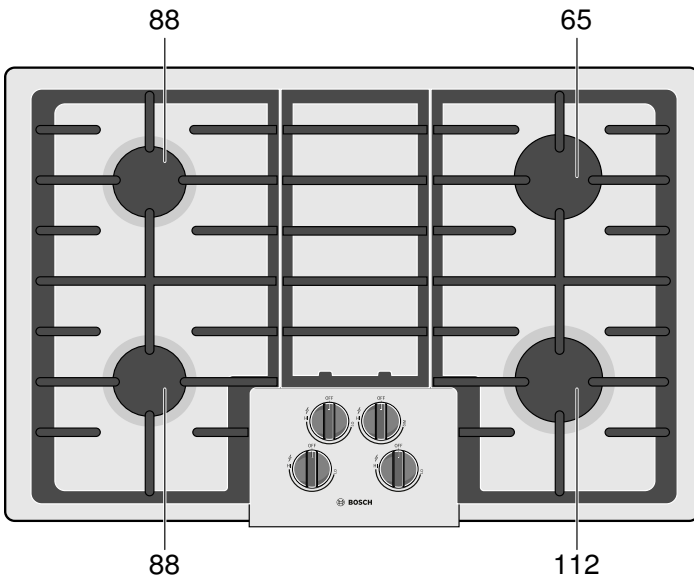
Note: The NGMP056UC and NGMP656UC models have a second orifice that will be visible after the center burner is removed. This orifice must also be changed during the conversion to use LP gas.



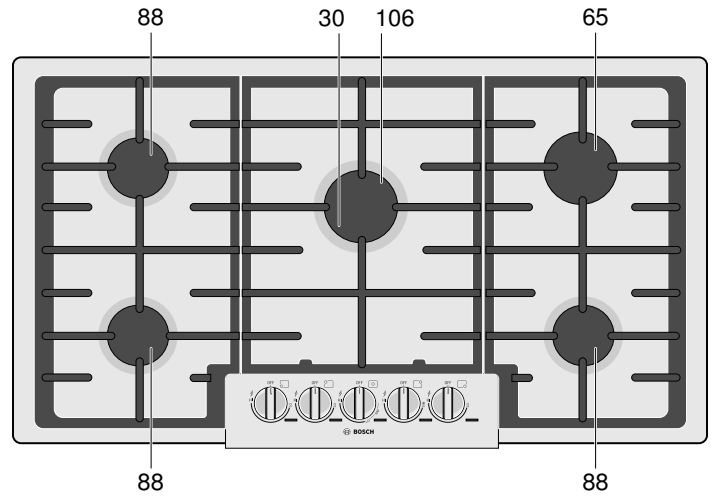
A Smaller center orifice

The LP gas orifice sizes corresponding to each burner are shown in the following images. These numbers are engraved on either the top or the side of each orifice. It is very important to install the correct orifice size for each burner.

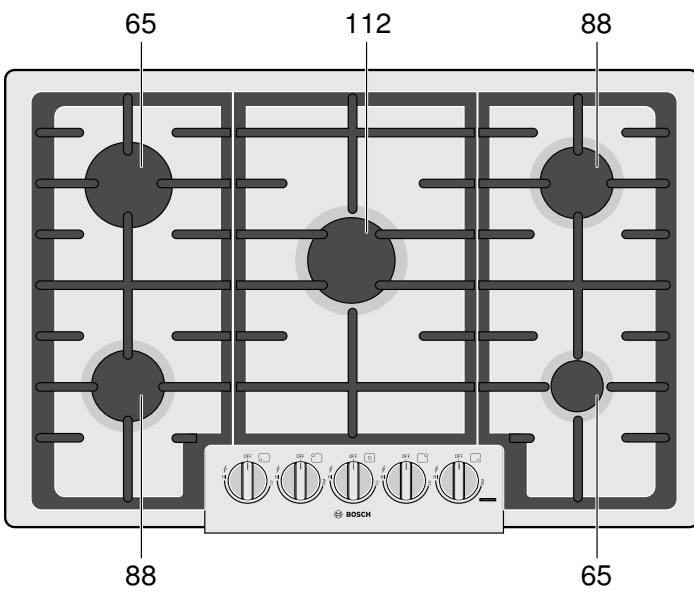
NGM5056UC



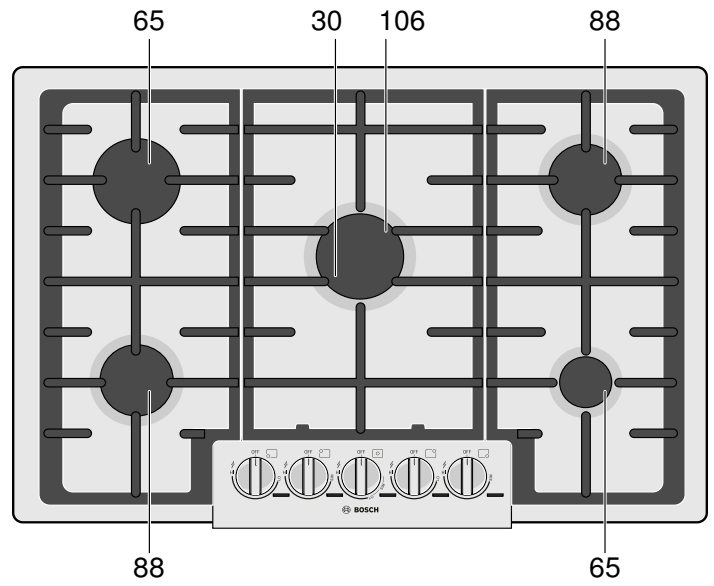
NGMP656UC



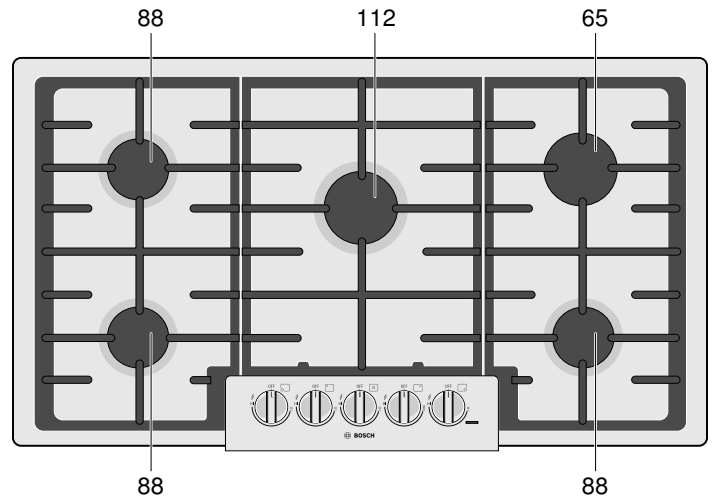
NGM8056UC



NGMP056UC



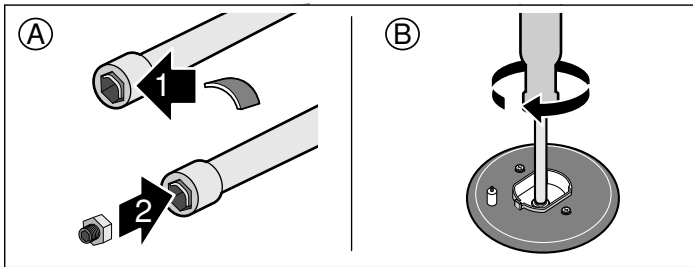
NGM5655UC, NGM8656UC



4. Insert each of the LP gas orifices provided with this kit into the socket (using the small piece of foam tape to assure a tight fit).

Note: The NGMP056UC and NGMP656UC models have two orifices. The larger orifice should be installed in the center port and the smaller orifice should be installed in the port to the side.

- A** Check to be sure the small piece of foam tape used earlier is fitted to wrap against one side of the socket.
- B** When pressing the socket driver onto the orifice, the tape will help the orifice fit more snugly inside the socket. This will help prevent the orifice from falling out of the socket during insertion.



Step 3 - Replace the burners, burner caps and grates

Replace the burners, burner caps and grates. Be sure the grates are correctly placed and the rubber feet on the grates engage the indents in the cooktop for proper position.

⚠ WARNING

To prevent flare-ups, do not use the cooktop without all burners, burner caps and burner grates properly positioned.

⚠ WARNING

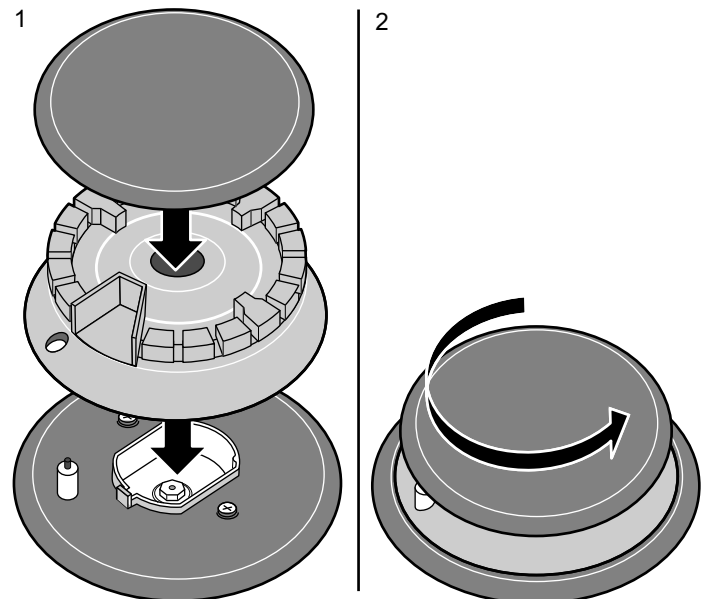
To prevent burns, do not touch burners, burner caps or grates while hot. Turn the cooktop off and allow the burners to cool.

The burner caps must be properly placed for the cooktop to function properly. If the burner cap is not properly placed, one or more of the following problems may occur:

- Burner flames are too high.
- Flames shoot out of burners.
- Stainless steel discolors.
- Burners do not ignite.
- Burner flames light unevenly.
- Burner emits gas odor.

Burner Cap and Burner Base Placement

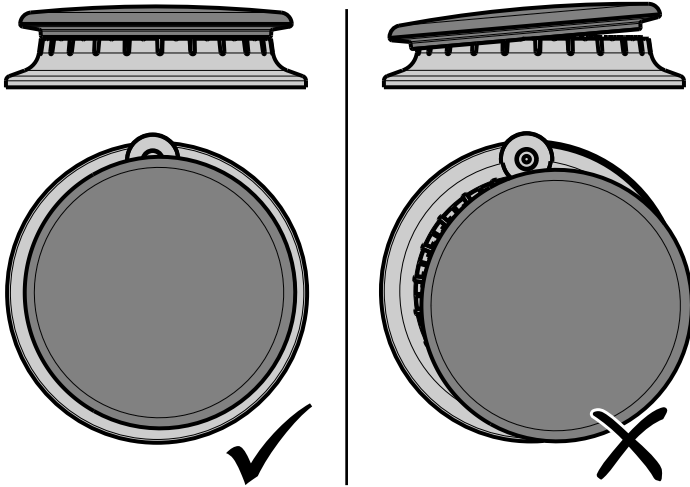
- The small hole or cutout near the edge of the burner should line up with the igniter. Rotate the burner until the igniter aligns with the electrode and gently lower it on to the cup. The burner should not be able to rotate when correctly placed on the cup. Pay special attention to avoid damaging the igniter during installation of the base. See Illustration below.
- Once each base is located and resting evenly, place each burner cap on its correct burner base. See Illustration.
- Place burner cap gently on top of base so that the prongs of the burner base fit snugly into the groove of the burner cap.
- If the maintop is removed by a certified installer (for example to check electrical or piping connection) the panhead screws that were removed must be re-installed to ensure proper functionality of burners.



Placing Burner Caps and Bases

Checking Burner Cap Placement

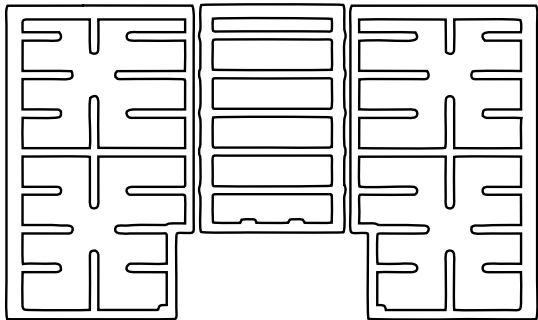
- Check to make sure that there is no gap between the burner cap and burner base. See illustration below for correct and incorrect placements of the burner cap.
- You may gently try to move the burner cap from side to side to check if it is properly placed. If properly placed, the cap will click from side to side as the prongs hit the groove ridge.



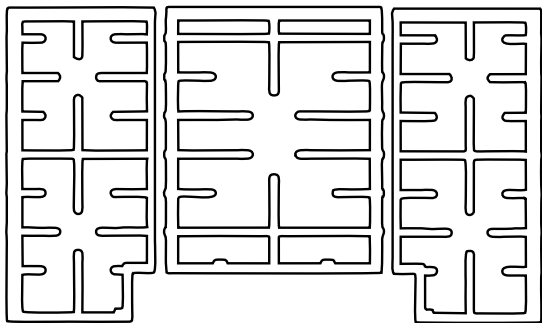
Checking Burner Cap Placement

Install Burner Grates

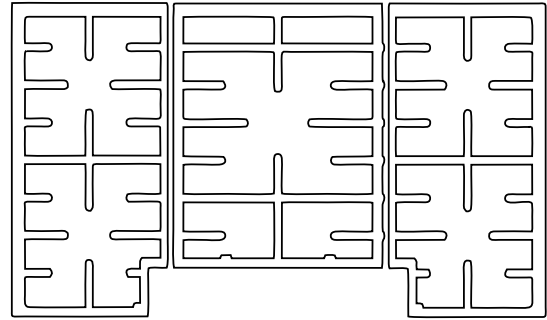
Properly position and install each burner grate as shown in the illustration below.



30" 4 Burner



30" 5 Burner



36" 5 Burner

⚠ WARNING

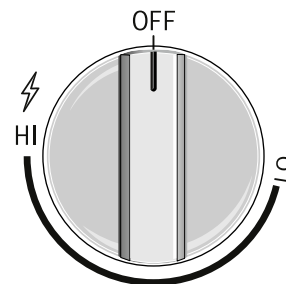
To prevent flare-ups, properly support pots and avoid spills, all grates must be properly positioned on the cooktop whenever the cooktop is in use. Each of the four feet must be placed into the corresponding dimples in the cooktop. Do not use a grate if the rubber feet are missing or damaged.

For replacement of rubber feet: Call Customer Support at 1-800-944-2904.

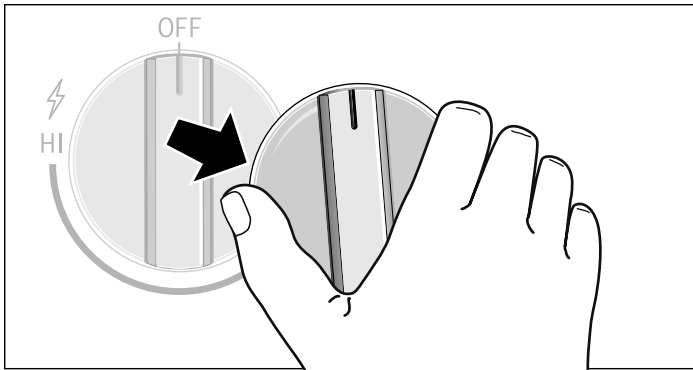
Step 4 - Convert valves for LP gas

The bypass jet on each valve must be adjusted. Your cooktop may come with either hollow or solid valve shafts. Determine the bypass screw location accordingly.

1. Turn all knobs to the "OFF" position.



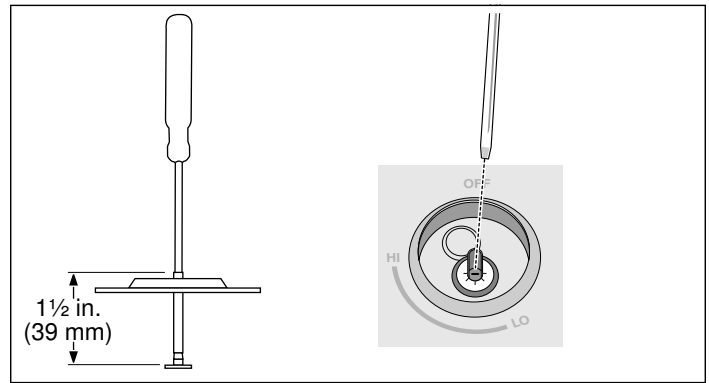
2. Remove knobs.



Note: All cooktops have hollow stem valves except the center valve on the NGMP units which is a solid stem. Solid stem valves do not need to be adjusted.

3. Hollow Stem Valves (all burners except center valve of NGMP units):

insert a long, thin flat blade screwdriver in the hollow stem of the valve. The adjustment screw is approximately 1 1/2" (39 mm) from the top of the stem.



4. Engage the tip of the screwdriver into the adjustment screw by slowly turning the screwdriver and feeling for the blade to engage the screw. Then turn the screw clockwise about 70 degrees (less than 1/4 turn) until it "bottoms out" (does not turn any further). The screw does not take much force to turn. Once the screw does not turn any further, stop. Do not overtighten. Repeat for each valve until all have been adjusted correctly.

5. Hollow Stem Valve: Replace the knob.

Check Installation

Test for gas leaks

⚠ WARNING

NEVER TEST FOR GAS LEAKS USING A FLAME
If any leaks are detected, do not proceed past this step until all leaks have been eliminated.

Leak testing is to be conducted by the installer according to the instructions given in this section.

Turn on gas. Apply a non-corrosive leak detection fluid to all joints and fittings in the gas connection between the shutoff valve and the cooktop. Include gas fittings and joints in the cooktop if connections may have been disturbed during installation. Bubbles appearing around fittings and connections indicate a leak. An electronic Gas Leak Detector can also be used.

If a leak appears, turn off the supply line gas shutoff valve and tighten the leaking connections. Retest for leaks by turning on the supply line gas shutoff valve. When the leak check is complete (no bubbles appear), the test is complete. Wipe off all detection fluid residue.

Check manifold gas pressure

During any pressure testing of the gas supply piping system at test pressures greater than 14" of water column pressure (approximately 1/2" psig, 3.5 kPa) it is necessary to disconnect the cooktop and its individual shut-off valve from the gas supply piping system.

If it should be necessary to check the manifold gas pressure, connect a manometer (water gauge) or other approved gas pressure reading device to the top burner right rear orifice. Using a rubber hose with inside diameter of approximately 1/4" hold tubing down tight over orifice. Turn burner valve on.

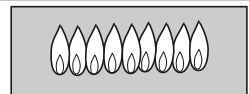
Final check

After conversion is complete, place each correct sized burner cap in its seated, notched position and check the operation of the electric igniters. Check flame characteristics. Flame should be blue with a minimal yellow tip on the outer cone of the flames.

Check flame characteristics

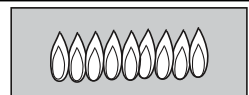
Yellow flames:

Further adjustment is required.



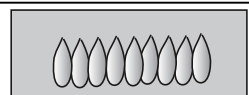
Yellow tips on outer cones:

Normal for LP Gas.



Soft blue flames:

Normal for Natural Gas.



- If the flame is completely or mostly yellow, verify that the regulator is set for the correct fuel. After adjustment, retest.
- Some yellow streaking is normal during the initial start-up. Allow unit to operate 4 to 5 minutes and re-evaluate before making adjustments.

Service

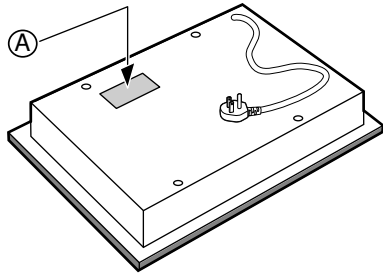
Before Calling Service

If the igniters do not spark or the “on” indicator lights (available in some models) do not glow, check the power source to see if a fuse has blown or if the circuit breaker has tripped.

Refer to the Statement of Limited Warranty in the Use and Care Manual. See the Use and Care Manual for troubleshooting information.

Product Rating Label

The rating label shows the model number and the FD number (production number/product’s unique identifier) of your cooktop. It is located on the underside of the cooktop.



Rating Label Location

A Rating Label

Model number and FD Number

The model number and the FD number of your appliance are found on the rating label. Make a note of these numbers in the space below to save time in the event your appliance requires service.

Model #	FD #
Bosch Customer Support	800-944-2904

Keep your invoice or escrow papers for warranty validation if service is needed.

Table des Matières

Définitions de sécurité	13	Étape 2 : Remplacement des ports	18
IMPORTANTES CONSIGNES DE SÉCURITÉ	14	Étape 3 : Repositionnement des brûleurs, des chapeaux de brûleur et des grilles	20
Utilisation sécuritaire de l'électroménager alimenté au gaz :	14	Étape 4 : Conversion des robinets pour le gaz de PL	21
Avertissement issue de la proposition 65 de l'État de la Californie	15	Vérification de l'installation	22
Avant de commencer	16	Test pour fuites de gaz	22
Pièces incluses	16	Vérification de la pression d'admission du gaz	22
Outils et pièces nécessaires	16	Dernière vérification	23
Procédure d'installation	17	Dépannage	23
Liste de vérification	17	Avant d'appeler le service de dépannage	23
Étape1 : Convertir le régulateur de pression	17		

Cet appareil électroménager Bosch est fabriqué par
BSH Home Appliances Corporation
1901 Main Street, Suite 600
Irvine, CA 92614

Vous avez des questions?

1 800 944-2904

www.bosch-home.com/us

Nous nous ferons un plaisir de vous servir!

Définitions de sécurité

▲ AVERTISSEMENT

Ceci indique que le non-respect de cet avertissement peut entraîner des blessures graves, voire la mort.

▲ ATTENTION

Ceci indique que le non-respect de cet avertissement peut entraîner des blessures légères ou de gravité moyenne.

AVIS : Ceci indique que la non-conformité à cet avis de sécurité peut entraîner des dégâts matériels ou endommager l'appareil.

Remarque : Ceci vous signale des informations et/ou indications importantes.

⚠ IMPORTANTES CONSIGNES DE SÉCURITÉ

LIRE ET CONSERVER CES INSTRUCTIONS

Utilisation sécuritaire de l'électroménager alimenté au gaz :

⚠ AVERTISSEMENT : Si les directives ne sont pas suivies à la lettre, il y a un risque d'incendie ou d'explosion pouvant entraîner des dommages matériels, des blessures ou un décès.

- Ne pas conserver ou utiliser de l'essence ou d'autres liquides ou vapeurs inflammables à proximité de cet appareil ou de tout autre appareil.
- **QUE FAIRE SI VOUS PERCEVEZ UNE ODEUR DE GAZ**
 - Ne pas essayer de mettre un appareil sous tension.
 - Ne pas toucher d'interrupteur de courant électrique.
 - Ne pas utiliser de téléphones dans l'édifice.
 - Communiquer immédiatement avec le fournisseur de gaz depuis l'appareil téléphonique d'un voisin. Respecter les directives du fournisseur de gaz.
 - S'il s'avère impossible de joindre le fournisseur de gaz, communiquer avec les pompiers.
- Utiliser les services d'un installateur ou d'une agence de services qualifiés ou le fournisseur de gaz pour procéder à l'installation et aux réparations.

IMPORTANTES CONSIGNES DE SÉCURITÉ

LIRE ET CONSERVER CES INSTRUCTIONS

TROUSSE DE CONVERSION DES TABLES DE CUISSON BOSCH, DES MODÈLES TRADITIONNELS AU GAZ NATUREL (GN) AU GAZ PROFANE (PL).

Cette trousse est utilisée pour convertir uniquement les brûleurs des tables de cuisson NGMXXX6UC scellés d'un fonctionnement au gaz naturel pour être utilisé au gaz propane. Elle ne sert pas à convertir d'autres modèles Bosch de tables de cuisson, de cuisinières, ou d'autres marques de tables de cuisson qui utilisent des brûleurs scellés.

AVERTISSEMENT

Cette trousse de conversion doit être installée par une agence de réparation qualifiée en conformité aux directives du fabricant et de tous les autres codes et exigences en vigueur de l'autorité ayant juridiction. Si les directives ne sont pas suivies à la lettre, il y a un risque d'incendie, explosion ou de génération de monoxyde de carbone pouvant entraîner des dommages matériels, des blessures ou une perte de vie.

L'agence de réparation qualifiée est responsable de la bonne installation de cette trousse. L'installation n'est pas jugée terminée jusqu'à ce que l'on ait testé l'appareil converti comme précisé dans les directives du fabricant fournies avec la trousse.

IMPORTANT : Seul un technicien ou un installateur qualifié en réparation peut procéder à cette conversion.

INSTALLATEUR : Prière de laisser les directives de conversion avec cet appareil à l'intention du propriétaire.

PROPRIÉTAIRE : Prière de conserver ces instructions pour référence ultérieure.

Pour les installations au Massachusetts :

1. L'installation doit être exécutée par un entrepreneur, un plombier ou un ajusteur d'appareils à gaz qualifié ou autorisé par l'État, la province ou la région.
2. Le robinet d'arrêt doit être robinet à gaz avec poignées en T.
3. Le connecteur à gaz souple ne doit pas dépasser 36 pouces.

ATTENTION

Lors du raccordement de l'appareil au gaz propane, assurez-vous que le réservoir de gaz est doté de son propre régulateur de pression élevée. De plus, un régulateur de pression a été livré avec la table de cuisson. Ce deuxième régulateur doit être installé avec la table de cuisson. La pression maximale de gaz de cet appareil ne doit pas dépasser 14 po de colonne d'eau. Au régulateur du réservoir de gaz propane.

Veillez respecter les exigences ci-dessous lors de la mise à l'essai de la canalisation du système d'alimentation en gaz :

a) L'appareil et son propre robinet d'arrêt doivent être déconnectés de la canalisation du système d'alimentation en gaz aux pressions de test qui dépassent 1/2 PSIG (3,5 kPa).

b) L'appareil doit être isolé de la canalisation du système d'alimentation en gaz en fermant son propre robinet d'arrêt manuel pour tout test à des pressions égales ou inférieure à 1/2 PSIG (3,5 kPa).

Avertissement issue de la proposition 65 de l'État de la Californie :

AVERTISSEMENT

Ce produit peut vous exposer à des produits chimiques, comme du chlorure de vinyle, reconnu par l'État de la Californie comme causant le cancer, des malformations congénitales ou d'autres effets nocifs sur la reproduction. Pour de plus amples renseignements, consultez www.P65Warnings.ca.gov.

Remarque : AVIS DE SÉCURITÉ IMPORTANT : En application de la loi californienne concernant la salubrité de l'eau et la protection contre les substances chimiques (« California Safe Drinking Water and Toxic Enforcement Act »), le gouverneur de Californie est tenu de publier une liste reconnue par l'État de Californie comme étant cancérigènes ou pouvant causer des malformations ou présenter un danger pour la reproduction, et les entreprises sont tenues d'avertir les consommateurs des risques potentiels d'exposition à de telles substances. La combustion de gaz combustible pour la cuisson et l'élimination de résidus pendant l'autonettoyage peuvent générer de faibles quantités de monoxyde de carbone. Dans les fours équipés du Nettoyage Auto, de faibles quantités de formaldéhyde peuvent se dégager lors de l'élimination des salissures pendant les quelques premiers cycles autonettoyants. La Californie classe le formaldéhyde parmi les produits potentiellement cancérigènes. Le monoxyde de carbone est une cause possible de toxicité pour la reproduction. Il est possible de réduire l'exposition à ces substances en :

1. assurant une bonne ventilation lors de la cuisson au gaz; et
2. utilisant l'appareil selon les instructions de ce manuel.

Avant de commencer

Pièces incluses

Contenu de la trousse d'installation

Composant	Quantité
Directives de la trousse de conversion	1
Autocollant de conversion	1
Ruban de mousse	1
Port de 112	1
Port de 106	1
Port de 88	3
Port de 65	2
Port de 30	1

Principaux ports

NGM5056UC		BTU/h	kW
112	Avant droit	15 000	4,39
88	Avant gauche	9 100	2,67
88	Arrière gauche	9 100	2,67
65	Arrière droit	5 000	1,47

NGM8056UC		BTU/h	kW
112	Central	15 000	4,39
65	Avant droit	5 000	1,47
88	Avant gauche	9 100	2,67
65	Arrière gauche	5 000	1,47
88	Arrière droit	9 100	2,67

NGMP056UC		BTU/h	kW
106	Central, grand	15 000*	4,39*
30	Central, petit		
65	Avant droit	5 000	1,47
88	Avant gauche	9 100	2,67
65	Arrière gauche	5 000	1,47
88	Arrière droit	9 100	2,67

*Ensemble, les ports 106 et 30 produisent 15 000 BTU/ 4,39 kW.

NGMP656UC		BTU/h	kW
106	Central, grand	15 000*	4,39*
30	Central, petit		
88	Avant droit	9 100	2,67
88	Avant gauche	9 100	2,67
88	Arrière gauche	9 100	2,67
65	Arrière droit	5 000	1,47

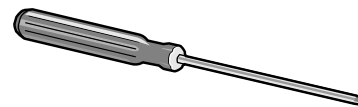
*Ensemble, les ports 106 et 30 produisent 15 000 BTU/ 4,39 kW.

NGM5656UC, NGM8656UC		BTU/h	kW
112	Central	15 000	4,39
88	Avant droit	9 100	2,67
88	Avant gauche	9 100	2,67
88	Arrière gauche	9 100	2,67
65	Arrière droit	5 000	1,47

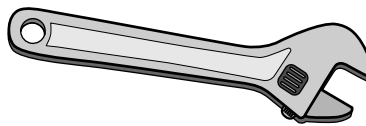
Outils et pièces nécessaires



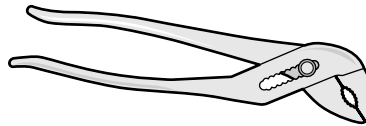
Clé pour douille de 7 mm (extension minimum de 3 po)



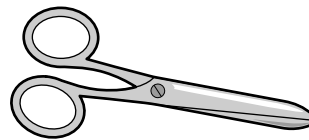
Petit tournevis plat, lame mince



Clé réglable et/ou pince multiprise



Ciseaux



Procédure d'installation

Ce processus de conversion ajuste le débit de gaz vers les brûleurs pour accommoder la source de gaz de combustion au PL.

⚠ ATTENTION

COUPER LE GAZ ET L'ALIMENTATION ÉLECTRIQUE

Procédez comme suit :

- fermez le robinet de gaz pour couper l'alimentation en gaz de la conduite de la table de cuisson.
- dégagez la fiche du cordon d'alimentation de la table de cuisson de la prise électrique ou ouvrez le disjoncteur du boîtier de disjoncteurs.
- mettez tous les boutons de commande à la position d'arrêt.

Liste de vérification

Pour le bon fonctionnement de l'électroménager, il faut bien achever chacune des étapes suivantes.

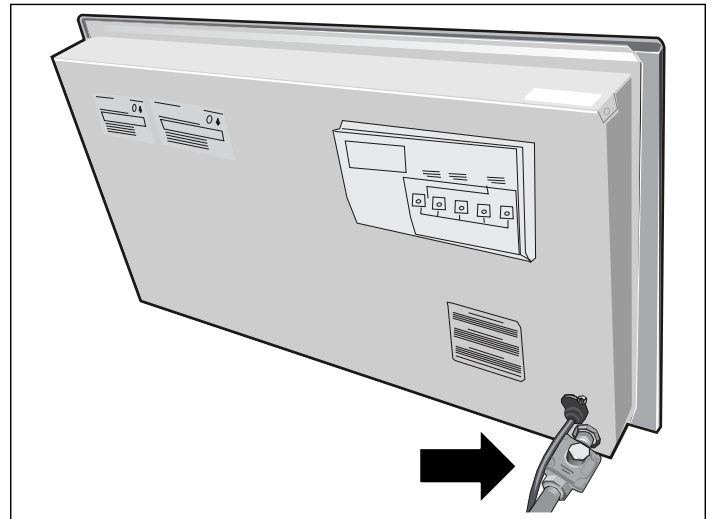
Cocher les étapes au fur et à mesure qu'elles sont achevées.

- | | |
|---|--|
| <input type="checkbox"/> Étape 1 | Conversion du régulateur de pression pour utilisation de gaz de PL. |
| <input type="checkbox"/> Étape 2 | Retrait des grilles, des chapeaux de brûleur et des brûleurs. Retirer les ports de gaz naturel (GN) et les remplacer par les ports de gaz de PL fournis dans cette trousse. Consulter le chapitre <i>Avant de commencer</i> de la page précédente pour connaître le bon positionnement du port par numéro de modèle. |
| <input type="checkbox"/> Étape 3 | Remise en place des brûleurs, des chapeaux de brûleur et des grilles. |
| <input type="checkbox"/> Étape 4 | Ajustement des robinets de l'appareil pour les réglages au gaz de PL. |

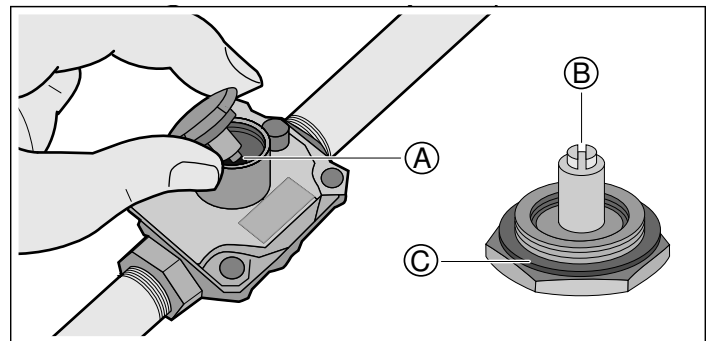
Étape 1 : Convertir le régulateur de pression

Localisez le régulateur de pression au bas du coin droit de la table de cuisson.

Remarque : La flèche au dos du régulateur doit pointer dans la direction du débit de gaz vers la table de cuisson.

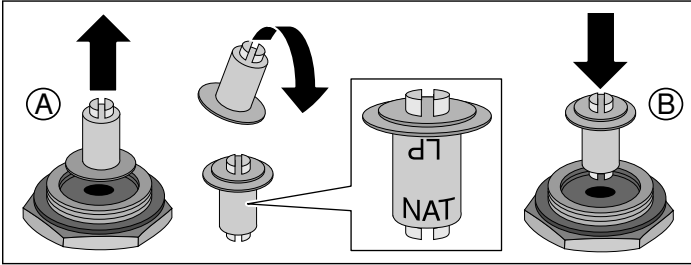


1. Retirez le capuchon de forme hexagonale du régulateur. Assurez-vous de ne pas déloger le joint extérieur du capuchon ou le ressort à l'intérieur du régulateur.
2. Saisissez solidement la tige de plastique du bouton et tirez avec force pour le dégager du capuchon de métal. La tige s'enclenche et est bien serrée dans une rainure du capuchon et peut demander beaucoup de force pour la retirer. (Conseil : il peut être utile de balancer délicatement la tige de plastique tout en tirant dessus pour le retirer du capuchon de métal.)

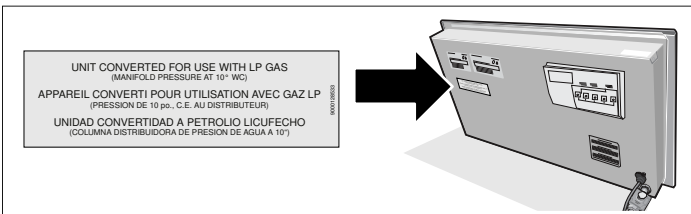


- | | |
|----------|-----------------------------|
| A | Ressort |
| B | Tige de plastique du bouton |
| C | Joint extérieur |

3. Après le dégagement de la tige du capuchon, tournez la tige sur 180 degrés de sorte que l'extrémité du bouton de la tige est à l'écart du capuchon et les lettres LP de la tige sont à l'envers lorsque le capuchon est à plat sur sa tête. Enclenchez la tige en place dans cette position en l'insérant dans la rainure du capuchon de métal. La tige devrait s'enclencher en place.



4. **Important** : Collez l'autocollant métallique (inclus dans cette trousse de conversion) au bas de l'électroménager, comme illustré, pour qu'il soit près de la plaque signalétique de l'appareil (indique le numéro de modèle et les renseignements concernant l'électroménager). Cet autocollant indique que l'électroménager a été converti à une utilisation de gaz de PL.



Étape 2 : Remplacement des ports

⚠ AVERTISSEMENT

Pour éviter les brûlures, ne pas toucher aux grilles, aux chapeaux de brûleur ni aux brûleurs quand ils sont chauds. Éteindre la table de cuisson et laisser les brûleurs refroidir.

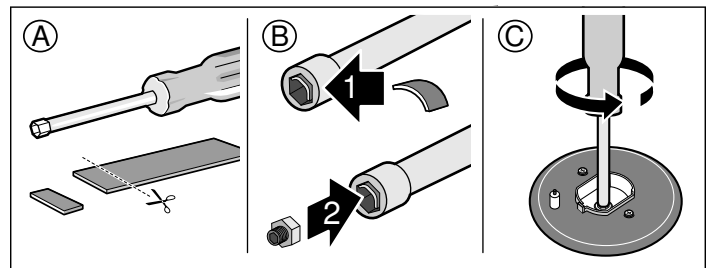
1. Retirer les grilles, les chapeaux de brûleur et les brûleurs.

2. Retirer les ports.

Remarques

- Pour retirer ou remplacer les ports, vous aurez besoin d'une clé à douille de 7 mm. La clé doit être insérée d'au moins 2 1/2 po (64 mm) dans la cavité du brûleur pour atteindre le port.
- Pour réduire la possibilité de perdre un port au retrait, ajouter un morceau de ruban adhésif ou de ruban de mousse au fond de la douille.

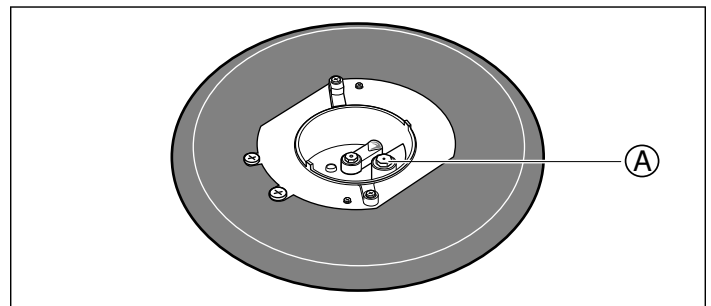
- A** Couper un petit morceau du ruban de mousse (fourni) de cette trousse (environ 1/4 x 1/2 po / 6 x 12 mm)
- B** Insérer le ruban de sorte qu'il s'enroule sur une paroi de la douille pour qu'il reste en position.
- C** Le ruban collera au port et l'empêchera de tomber hors de la douille au cours de l'extraction.



Conserver les ports de gaz naturel au cas où il serait nécessaire de reconvertir l'électroménager au gaz naturel.

3. Déterminer le bon positionnement des ports de gaz de PL selon les consignes du chapitre *Avant de commencer*.

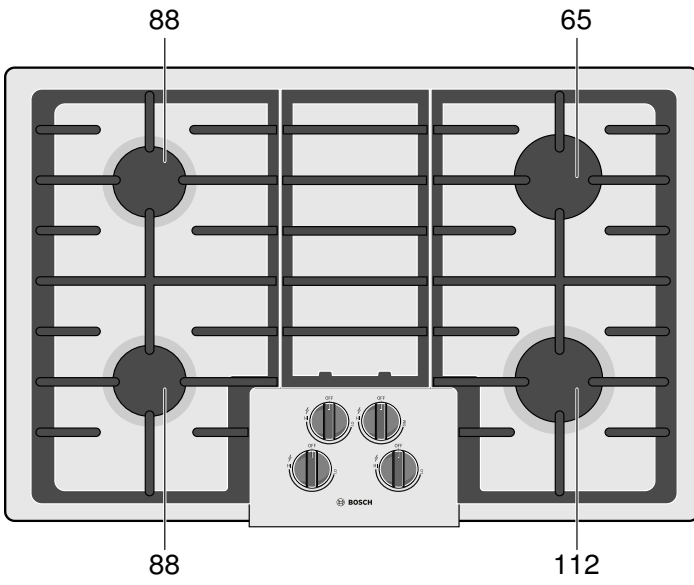
Remarque : Les modèles NGMP056UC et NGMP656UC comportent un deuxième port qui deviendra visible au retrait du brûleur central. Celui-ci doit également être remplacé au cours de la conversion au gaz de PL.



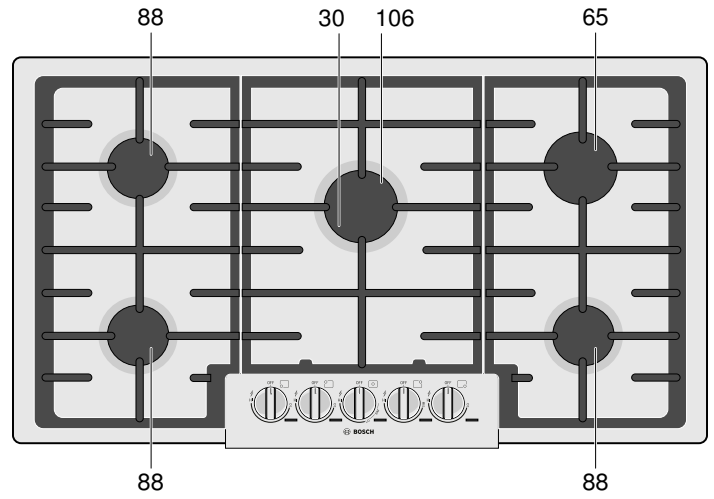
A Petit port central

Les diamètres des ports de gaz de PL correspondent à chaque brûleur illustré dans les images qui suivent. Ces chiffres sont gravés sur le dessus ou le côté de chaque port. Il est très important d'installer le bon diamètre de port pour chacun des brûleurs.

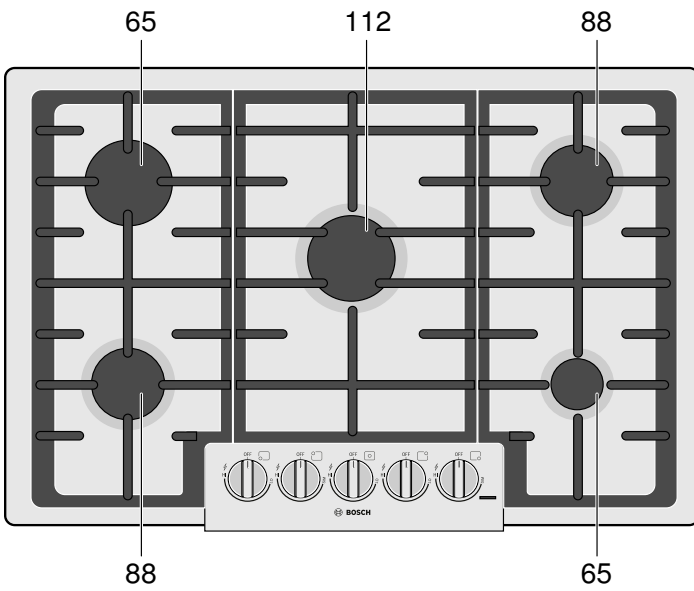
NGM5056UC



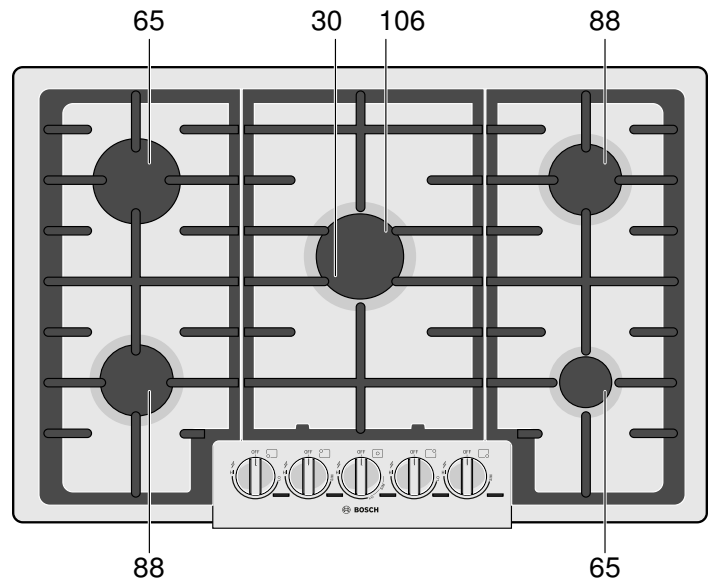
NGMP656UC



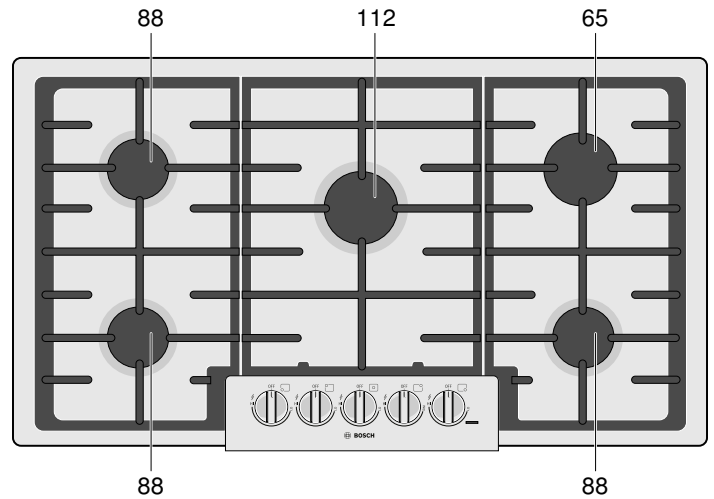
NGM8056UC



NGMP056UC



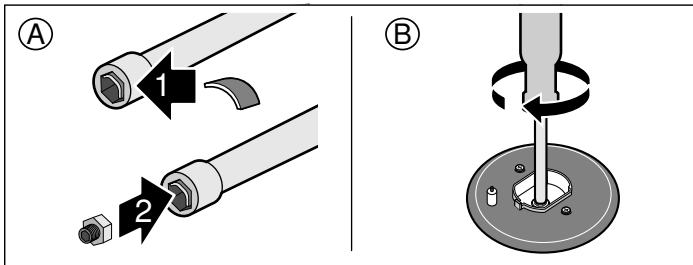
NGM5655UC, NGM8656UC



4. Insérer chaque port de gaz de PL (fourni dans cette trousse) dans la douille avec le petit morceau de ruban mousse pour assurer un ajustement serré.

Remarque : Les modèles NGMP056UC et NGMP656UC comportent deux ports. Le port de plus grand diamètre s'insère dans l'orifice central et celui de plus petit diamètre, dans l'orifice sur le côté.

- A** S'assurer que le petit morceau de ruban mousse utilisé plus tôt est enroulé contre l'une des parois de la douille.
- B** Lorsque vous insérez la clé à douille sur le port, le ruban aidera à maintenir le port bien serré dans la douille. Cela empêchera le port de tomber hors de la douille au cours de l'insertion.



Étape 3 : Repositionnement des brûleurs, des chapeaux de brûleur et des grilles

Remettre les brûleurs, les chapeaux de brûleur et les grilles en place. S'assurer que les grilles sont bien positionnées et que les pieds de caoutchouc des grilles s'enfoncent dans les encoches de la table de cuisson pour assurer un bon positionnement.

⚠ AVERTISSEMENT

Pour éviter des flambées, ne pas utiliser la table de cuisson sans tous les brûleurs et les chapeaux de brûleurs en place et toutes les grilles de brûleur bien positionnées.

⚠ AVERTISSEMENT

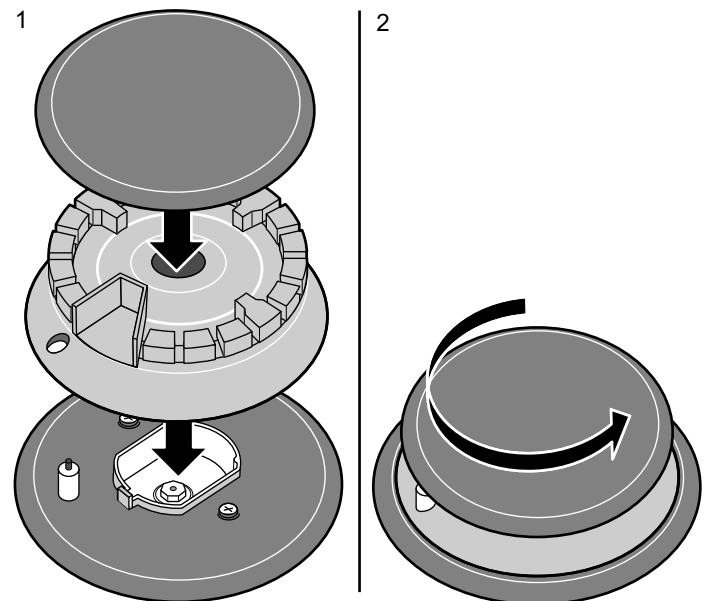
Pour éviter les brûlures, ne pas toucher aux grilles, aux chapeaux de brûleur ni aux brûleurs quand ils sont chauds. Éteindre la table de cuisson et laisser les brûleurs refroidir.

Il faut que les chapeaux de brûleurs soient correctement positionnés pour le bon fonctionnement de la table de cuisson. Un ou plusieurs des problèmes qui suivent peuvent survenir si un chapeau de brûleur n'est pas bien positionné :

- La flamme du brûleur est trop élevée.
- Des flammes jaillissent des brûleurs.
- L'acier inoxydable se décolore.
- Les brûleurs ne s'allument pas.
- La flamme du brûleur n'est pas uniforme.
- Une odeur de gaz se dégage du brûleur.

Positionnement du chapeau et de la base du brûleur

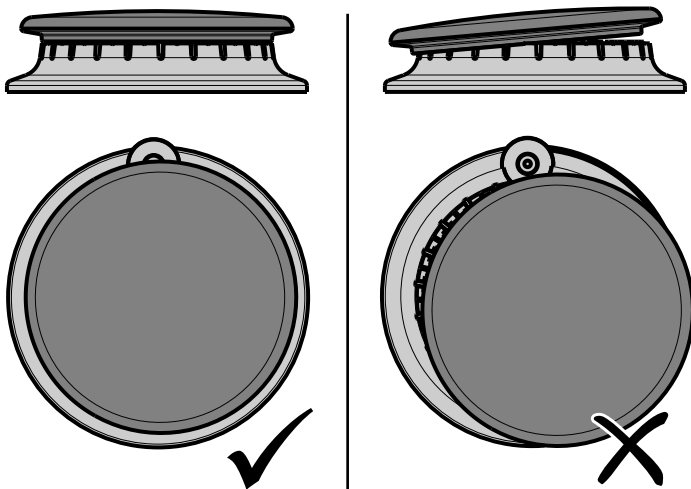
- Le petit trou ou la petite découpe près du rebord du brûleur doit aussi être aligné(e) avec l'allumeur. Tourner le brûleur jusqu'à ce que l'allumeur s'aligne avec l'électrode et l'abaisser délicatement sur la coupelle. Une fois bien positionné sur la coupelle, le brûleur devrait être stable, sans pivoter. Faire très attention de ne pas endommager l'allumeur lors de l'installation de la base. Voir l'illustration ci-dessous.
- Une fois toutes les bases installées et bien appuyées, placer les chapeaux de brûleur sur la base correspondante. Voir l'illustration.
- Déposer délicatement le chapeau de brûleur sur le dessus de la base de sorte que les pattes de la base soient bien ajustées dans la goulotte du chapeau du brûleur.
- Si un installateur certifié retire la table de travail (par exemple pour vérifier le raccordement électrique ou les conduites), il faut réinsérer les vis à tête cylindrique pour assurer le bon fonctionnement des brûleurs.



Positionnement des chapeaux et des bases de brûleur

Vérification du positionnement du chapeau du brûleur

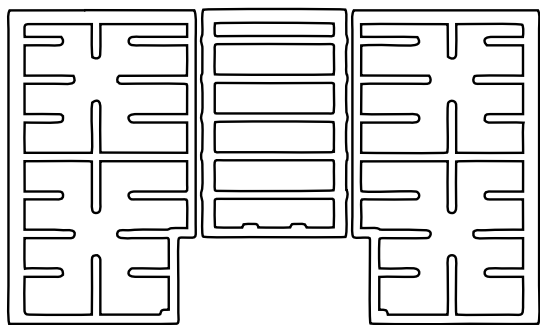
- S'assurer qu'il n'y a aucun espace entre le chapeau et la base du brûleur. Consulter l'illustration ci-dessous pour voir un positionnement correct et incorrect du chapeau du brûleur.
- Vous pouvez essayer délicatement de bouger le chapeau du brûleur pour vérifier s'il est correctement positionné. Si tel est le cas, un clic se fera entendre lorsque les pattes du chapeau frapperont la saillie de la goulotte.



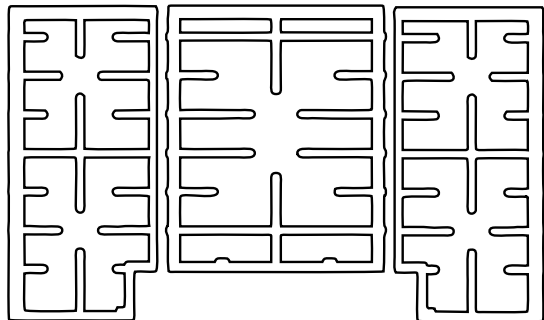
Vérification du positionnement du chapeau du brûleur

Installation des grilles du brûleur

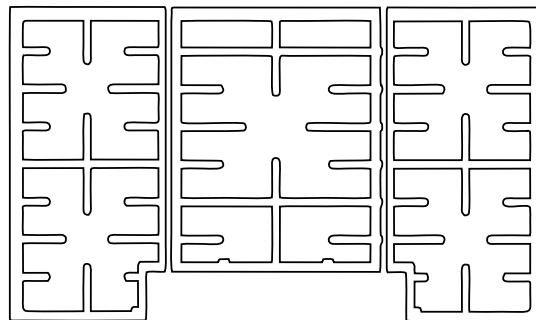
Positionner et installer correctement la grille de chaque brûleur comme illustré ci-dessous.



Modèle de 30 po à 4 brûleurs



Modèle de 30 po à 5 brûleurs



Modèle de 36 po à 5 brûleurs

⚠ AVERTISSEMENT

Pour éviter des flambées, toutes les grilles doivent être bien positionnées sur la table de cuisson à chaque utilisation pour bien soutenir les casseroles et éviter les éclaboussures. Chacun des quatre pieds doit s'appuyer dans les petites dépressions correspondantes de la table de cuisson. Ne pas utiliser une grille si les pieds de caoutchouc sont manquants ou endommagés.

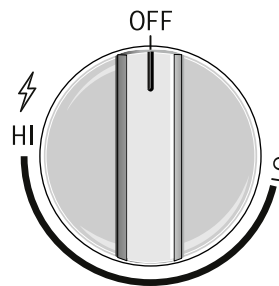
Pour remplacer les pieds de caoutchouc :

Communiquer avec le Service après-vente au 1-800-944-2904.

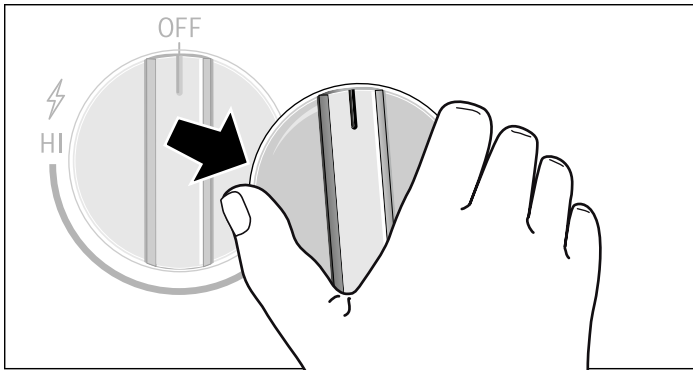
Étape 4 : Conversion des robinets pour le gaz de PL

Il faut régler le jet de contournement de chacun des robinets. La table de cuisson peut être livrée avec des tiges de robinet creuses ou massives. Déterminer l'emplacement de la vis de contournement.

1. Mettre tous les boutons à la position d'arrêt.

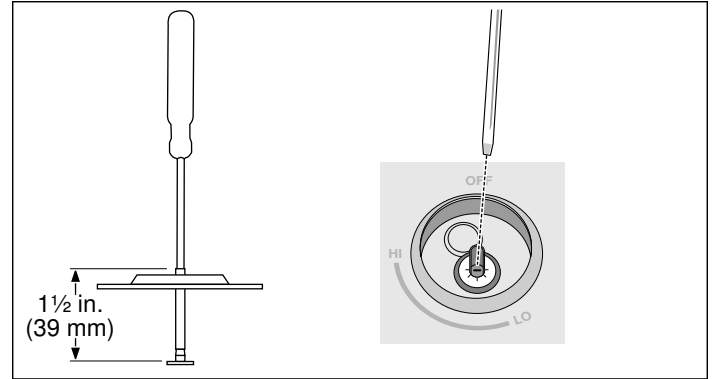


2. Retirer les boutons.



Remarque : Toutes les tables de cuisson comportent des robinets à tige creuse, sauf le robinet central des appareils NGMP qui utilise une tige massive. Il n'est pas nécessaire de régler les robinets à tige massive.

3. Robinets à tige creuse (tous les brûleurs sauf le robinet central des appareils à NGMP) : Insérer un long tournevis à lame plate et mince dans la tige creuse du robinet. La vis de réglage se trouve à environ 1 1/2 po (39 mm) du haut de la tige.



4. Insérer l'extrémité du tournevis dans la vis de réglage et la tourner lentement pour sentir l'insertion de la lame dans la vis. Puis tourner la vis dans le sens horaire sur près de 70 degrés (moins de 1/4 de tour) jusqu'à ce qu'il soit au fond (la vis ne tourne plus). Il ne faut pas beaucoup de force pour faire tourner la vis. Cesser de visser dès que la vis cesse de tourner. Ne pas trop la serrer. Recommencer pour chacun des robinets jusqu'à ce qu'ils soient tous bien réglés.

5. Robinet à tige creuse : Remplacement du bouton.

Vérification de l'installation

Test pour fuites de gaz

▲ AVERTISSEMENT

NE JAMAIS UTILISER UNE FLAMME POUR DÉTECTER LES FUITES DE GAZ.

En cas de fuites décelées, ne pas passer à la prochaine étape sans avoir corrigé toutes les fuites.

L'installateur doit procéder au test de fuites selon les directives fournies dans cette section.

Ouvrir le gaz. Appliquer un liquide de détection de fuites non corrosif à toutes les jonctions et tous les raccords des conduites de gaz entre le robinet d'arrêt et la table de cuisson. Inclure les raccords et les jonctions de gaz de la table de cuisson si les raccords auraient pu être déréglés au cours de l'installation. Une bulle qui apparaît autour d'un raccordement indique une fuite. Il est également possible d'utiliser un détecteur électronique de fuite de gaz.

En présence d'une fuite, couper l'alimentation en gaz en fermant le robinet d'arrêt et serrer le ou les raccords qui fuient. Tester de nouveau la présence de fuites en ouvrant le robinet d'arrêt de l'alimentation de gaz. Quand aucune bulle n'apparaît, le test de fuite est terminé. Essuyer tout résidu de liquide de détection de fuite.

Vérification de la pression d'admission du gaz

Il est nécessaire de déconnecter la table de cuisson et son propre robinet d'arrêt de la canalisation du système d'alimentation en gaz pour tout test de pression de la canalisation du système d'alimentation à des pressions de test égales ou inférieures à 14 po de colonne d'eau (environ 1/2 PSIG/3,5 kPa).

S'il faut vérifier la pression d'admission du gaz, raccorder un manomètre (jauge à eau) ou un autre appareil de lecture de pression du gaz au port du brûleur droit arrière. Avec un tuyau de caoutchouc d'environ 1/4 po de diamètre interne, tenir le tuyau bien serré au-dessus du port. Ouvrir la soupape du brûleur.

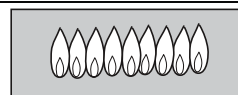
Dernière vérification

À la fin de la conversion, insérer le chapeau de brûleur du bon diamètre en place sur la rainure et vérifier le fonctionnement de l'allumeur électrique. Vérifier les caractéristiques de la flamme. La flamme doit être bleue avec une toute petite extrémité jaune sur le cône extérieur des flammes.

Vérification des caractéristiques de la flamme

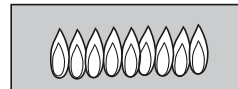
Flammes jaunes :

Réglages supplémentaires requis.



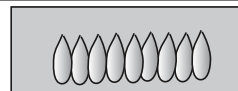
Extrémités des cônes externes jaune :

Normales pour un gaz de pétrole liquéfié.



Flammes bleues douces :

Normales pour le gaz naturel.



- Si la flamme est entièrement ou presque toute jaune, vérifier le réglage du régulateur au bon combustible. Après le réglage, procéder à un nouveau test.
- Au cours du démarrage initial, il est normal que la flamme soit bigarrée de jaune. Se laisser l'appareil fonctionner de quatre à cinq minutes puis réévaluer avant de procéder aux réglages.

Dépannage

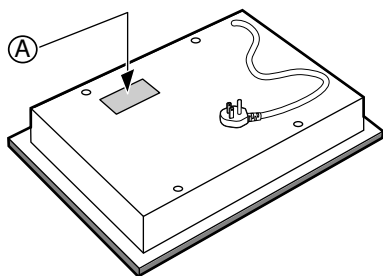
Avant d'appeler le service de dépannage

Si les allumeurs ne produisent pas d'étincelles ou que les témoins ne s'allument pas (offerts sur certains modèles), vérifier la source d'alimentation électrique à la recherche d'un fusible grillé ou d'un disjoncteur actionné.

Consultez l'énoncé de garantie limitée dans le Manuel d'utilisation et d'entretien. Consultez le Manuel d'utilisation et d'entretien pour les renseignements de dépannage.

Plaque signalétique du produit

La plaque signalétique comporte le numéro de modèle et le numéro FD (numéro de production/code unique d'identification) de la table de cuisson. Elle est située sur le dessous de la table de cuisson.



Emplacement de la plaque signalétique

A Plaque signalétique

Numéro de modèle et numéro FD

Le numéro de modèle et le numéro FD de l'électroménager figurent sur la plaque signalétique. Prendre ces numéros en note dans l'espace ci-dessous pour sauver du temps, au cas où l'électroménager aurait besoin d'être réparé.

No de modèle	No FD
Service après-vente de Bosch	800-944-2904

Conservez votre facture ou votre contrat aux fins de validation de garantie si jamais vous avez besoin d'une réparation.

Contenido

Definiciones de seguridad	24	Paso 2 - Sustituir las espreas	29
INSTRUCCIONES DE SEGURIDAD		Paso 3 - Sustituir los quemadores, las tapas de los quemadores y las rejillas	31
IMPORTANTES	25	Paso 4 - Convertir las válvulas para su uso con gas LP	33
Seguridad para aparatos de gas	25	Comprobar la instalación	33
Advertencia en virtud de la Proposición 65 del estado de California:	26	Comprobar que no haya fugas de gas	33
Antes de empezar	27	Comprobar la presión del gas del colector	34
Piezas incluidas	27	Comprobación final	34
Herramientas y piezas necesarias	27	Servicio técnico	34
Procedimiento de instalación	28	Antes de llamar al servicio técnico	34
Lista de comprobación	28		
Paso 1 - Convertir el regulador de presión	28		

Este electrodoméstico de Bosch es hecho por
BSH Home Appliances Corporation
1901 Main Street, Suite 600
Irvine, CA 92614

¿Preguntas?

1-800-944-2904

www.bosch-home.com/us

¡Esperamos oír de usted!

Definiciones de seguridad

▲ ADVERTENCIA

Esto indica que pueden producirse heridas graves o incluso la muerte si no se cumple con esta advertencia.

▲ ATENCION

Esto indica que pueden producirse heridas leves o moderadas si no se cumple con esta advertencia.

AVISO: Esto indica que pueden producirse daños en el aparato o en los bienes si no se cumple con este aviso.

Nota: Esto alerta sobre información o sugerencias importantes.

⚠ INSTRUCCIONES DE SEGURIDAD IMPORTANTES

LEA Y CONSERVE ESTAS INSTRUCCIONES

Seguridad para aparatos de gas

⚠ ADVERTENCIA: Si la información en estas instrucciones no se sigue con precisión, se puede producir un incendio o una explosión ocasionando daños a la propiedad, lesiones a las personas o incluso la muerte.

- No almacene ni use gasolina u otros vapores y líquidos inflamables en la proximidad de este aparato o cualquier otro.
- **QUÉ HACER SI DETECTA OLOR A GAS**
 - No trate de encender ningún aparato.
 - No toque ningún interruptor eléctrico.
 - No utilice ningún teléfono en su edificio.
 - Llame inmediatamente a su proveedor de gas desde un teléfono vecino. Siga las instrucciones del proveedor de gas.
 - Si no puede contactar a su proveedor de gas, comuníquese con el departamento de bomberos.
- La instalación y el servicio deben ser llevados a cabo por un instalador calificado, agencia de servicio o el proveedor de gas.

INSTRUCCIONES DE SEGURIDAD IMPORTANTES

LEA Y CONSERVE ESTAS INSTRUCCIONES

KIT DE CONVERSIÓN DE PLACA DE COCCIÓN DE COCCIÓN BOSCH PARA MODELOS TRADICIONALES DE GAS NATURAL (NG) A GAS PROPANO (LP).

Este kit solo se utiliza para convertir placas de cocción NGMXXX6UC con quemadores sellados de funcionamiento con gas natural al funcionamiento con gas propano. Este kit no se puede utilizar para convertir otros modelos de placas de cocción con quemadores sellados de Bosch o de otras marcas.

ADVERTENCIA

Este kit de conversión deberá ser instalado por una agencia de servicio calificada de acuerdo con las instrucciones del fabricante y respetando todos los requisitos y normas de la autoridad competente. Si la información en estas instrucciones no se sigue con precisión, se puede producir un incendio, una explosión o una emisión de monóxido de carbono, ocasionando daños a la propiedad, lesiones a las personas o incluso la muerte.

La agencia de servicio calificada es responsable de la instalación adecuada de este kit. La instalación no se considerará correcta y completa hasta que se haya comprobado el funcionamiento del electrodoméstico adaptado del modo especificado en las instrucciones del fabricante que se facilitan con el kit.

IMPORTANTE: esta conversión solo puede realizarla un técnico de servicio o instalador calificado.

INSTALADOR: dejar estas instrucciones de conversión con esta unidad para el propietario.

PROPIETARIO: Conservar estas instrucciones para referencia futura.

Para instalaciones en Massachusetts:

1. La instalación debe hacerla un contratista, plomero o instalador de gas calificado o con licencia del estado, provincia o región.
2. La llave de cierre tiene que ser una llave de gas en T.
3. El conector de gas flexible debe de tener una longitud no superior a 36 pulgadas.

ATENCIÓN

Al conectar la unidad con el gas propano, asegurarse de que el tanque de gas propano esté equipado con su propio regulador de alta presión. Además, se suministra un regulador de presión con la placa de cocción. Este segundo regulador debe de instalarse con la placa de cocción. La presión de gas máxima que llegue al electrodoméstico no debe de ser superior a 14.0 pulgadas de columna de agua desde el regulador del tanque de gas propano.

Al realizar pruebas en el sistema de tuberías de suministro, deben de cumplirse los siguientes requisitos:

a) El electrodoméstico y su llave de cierre individual deberán estar desconectados del sistema de tuberías de suministro de gas cuando las presiones de las pruebas superen 1/2 psi (3.5 kPa).

b) El electrodoméstico deberá aislarse del sistema de tuberías de suministro de gas cerrando su llave de cierre individual manual durante cualquier prueba de presión del sistema de tuberías de suministro de gas con presiones iguales o inferiores a 1/2 psi (3.5 kPa).

Advertencia en virtud de la Proposición 65 del estado de California:

ADVERTENCIA

Este producto puede exponerlo a sustancias químicas, incluyendo cloruro de vinilo, que el estado de California sabe que provocan cáncer, defectos congénitos u otro daño reproductivo. Para obtener más información, ir a la página web: www.P65Warnings.ca.gov.

Nota: INFORMACIÓN IMPORTANTE DE SEGURIDAD: La Ley de aplicación de líquidos potables y tóxicos exige que el gobernador de California publique una lista de sustancias conocidas que se sabe que provocan cáncer, defectos congénitos u otros daños reproductivos y exige a las empresas que adviertan a sus clientes de la exposición potencial a dichas sustancias. El proceso de quemado del combustible para cocción a gas y la eliminación de los restos durante la autolimpieza puede generar pequeñas cantidades de monóxido de carbono. El aislamiento de fibra de vidrio en los hornos de autolimpieza desprende pequeñas cantidades de formaldehído durante los primeros ciclos de limpieza. California incluye el formaldehído como una potencial causa de cáncer. El monóxido de carbono es una causa potencial de toxicidad reproductiva. Se puede reducir la exposición a estas sustancias de las siguientes formas:

1. Garantizando una buena ventilación cuando se cocina con gas.
2. Utilizando la unidad de forma acorde con las instrucciones de este manual.

Antes de empezar

Piezas incluidas

Contenido del kit de instalación

Componente	Cantidad
Instrucciones del kit de conversión	1
Etiqueta adhesiva de conversión	1
Cinta de espuma	1
Esprea 112	1
Esprea 106	1
Esprea 88	3
Esprea 65	2
Esprea 30	1

Espreas principales

NGM5056UC		BTU/h	kW
112	Frontal derecho	15,000	4.39
88	Frontal izquierdo	9,100	2.67
88	Posterior izquierdo	9,100	2.67
65	Posterior derecho	5,000	1.47

NGM8056UC		BTU/h	kW
112	Central	15,000	4.39
65	Frontal derecho	5,000	1.47
88	Frontal izquierdo	9,100	2.67
65	Posterior izquierdo	5,000	1.47
88	Posterior derecho	9,100	2.67

NGMP056UC		BTU/h	kW
106	Central grande	15,000*	4.39*
30	Central pequeño		
65	Frontal derecho	5,000	1.47
88	Frontal izquierdo	9,100	2.67
65	Posterior izquierdo	5,000	1.47
88	Posterior derecho	9,100	2.67

*De forma combinada 106 y 30 espreas producen 15,000 BTU/ 4.39 kW.

NGMP656UC		BTU/h	kW
106	Central grande	15,000*	4.39*
30	Central pequeño		
88	Frontal derecho	9,100	2.67
88	Frontal izquierdo	9,100	2.67
88	Posterior izquierdo	9,100	2.67
65	Posterior derecho	5,000	1.47

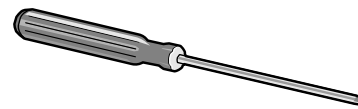
*De forma combinada 106 y 30 espreas producen 15,000 BTU/ 4.39 kW.

NGM5656UC, NGM8656UC		BTU/h	kW
112	Central	15,000	4.39
88	Frontal derecho	9,100	2.67
88	Frontal izquierdo	9,100	2.67
88	Posterior izquierdo	9,100	2.67
65	Posterior derecho	5,000	1.47

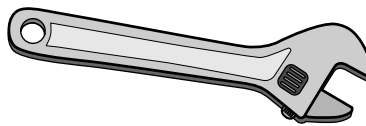
Herramientas y piezas necesarias



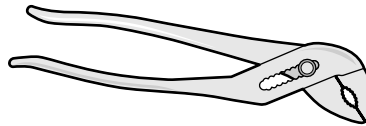
Desarmador con dado de 7 mm (longitud mínima de 3 pulgadas)



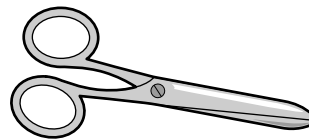
Desarmador de punta plana, punta pequeña y delgada



Llave ajustable (perico) y/o pinzas de mecánico o de extensión



Tijeras



Procedimiento de instalación

Este proceso de conversión ajusta el flujo de gas a los quemadores para adaptarlos a un combustible de Gas LP.

⚠ ATENCION

CORTAR EL SUMINISTRO DE GAS Y ELECTRICIDAD

Realizar las siguientes acciones:

- cerrar la llave de gas que conecta el sistema de suministro de gas con la placa de cocción
- desenchufar el cable de alimentación de la placa de cocción o apagar el breaker correspondiente en el centro de carga.
- girar todas las perillas de control hasta la posición «OFF» (apagado).

Lista de comprobación

Para que el electrodoméstico funcione bien, cada uno de los pasos indicados a continuación se debe de llevar a cabo correctamente.

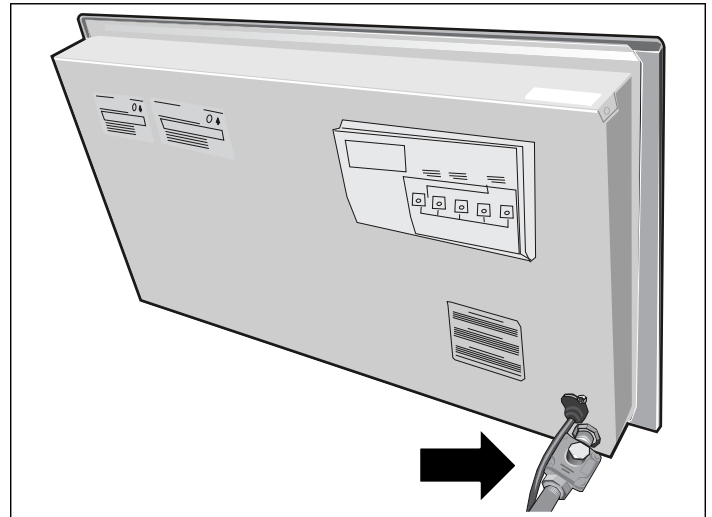
Tachar cada paso después de finalizarlo.

- | | |
|---------------------------------|---|
| <input type="checkbox"/> Paso 1 | Convertir el regulador de presión para su uso con gas LP. |
| <input type="checkbox"/> Paso 2 | Retirar las rejillas, las tapas de los quemadores y los quemadores. Retirar las espreas para gas natural (NG) y sustituir las por las espreas para Gas LP que se suministran en este kit. Consultar el capítulo <i>Antes de empezar</i> , en la página anterior, para obtener información sobre cómo colocar correctamente la esprea en función del número de modelo. |
| <input type="checkbox"/> Paso 3 | Sustituir los quemadores, las tapas de los quemadores y las rejillas. |
| <input type="checkbox"/> Paso 4 | Adaptar las válvulas de la unidad a los ajustes para Gas LP. |

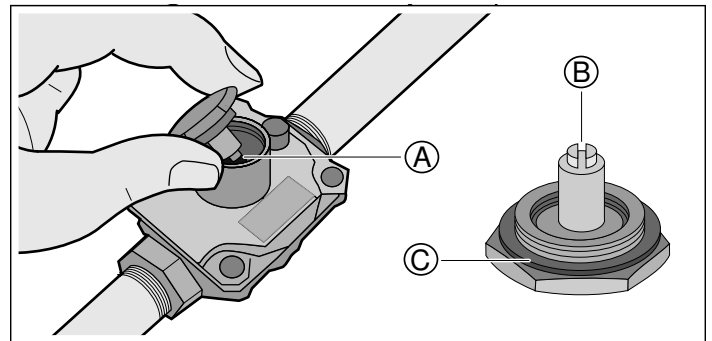
Paso 1 - Convertir el regulador de presión

Localizar el regulador de presión en el extremo inferior derecho de la placa de cocción.

Nota: La flecha de la parte posterior del regulador debe de apuntar en la dirección del flujo de gas hacia la placa de cocción.

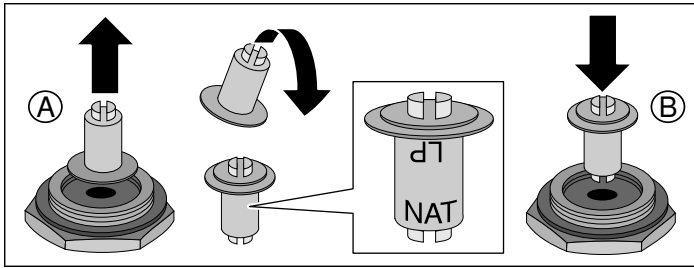


1. Retirar el tapón hexagonal del regulador asegurándose de no sacar la junta del tapón o el muelle de dentro del regulador.
2. Agarrar firmemente el vástago de botón de plástico y jalarlo con fuerza para separarlo del tapón de metal. El vástago está perfectamente encajado en un hueco de la tapa y puede necesitarse un fuerte jalón para extraerlo. (Consejo: puede ser útil «balancear» suavemente el vástago de plástico mientras se jala para retirarlo del tapón de metal.)

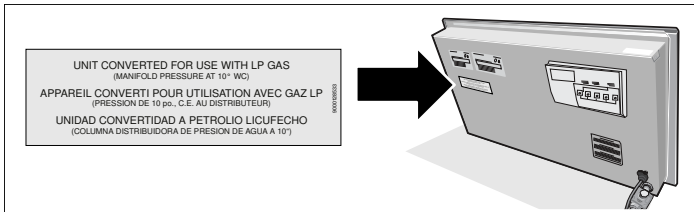


- | | |
|---|------------------------------|
| A | Muelle |
| B | Vástago de botón de plástico |
| C | Junta |

3. Tras extraer el vástago del tapón, girar el vástago 180° para que el extremo de botón del vástago quede separado del tapón y las letras «LP» queden al revés cuando el tapón se apoye sobre su cabeza. Volver a introducir el vástago en su sitio insertándolo en el hueco del tapón de metal. El vástago debe encajarse en su posición.



4. **Importante:** Pegar la etiqueta adhesiva metálica (incluida en este kit de conversión) en la parte inferior del aparato como se muestra, cerca de la placa de características (muestra el número de modelo e información sobre el electrodoméstico). Esta etiqueta adhesiva avisa de que el electrodoméstico se ha convertido para su uso con Gas LP.



Paso 2 - Sustituir las espreas

⚠ ADVERTENCIA

Para evitar quemaduras, no tocar las rejillas, los quemadores ni sus tapas cuando estén calientes. Apagar la placa de cocción y dejar enfriar los quemadores.

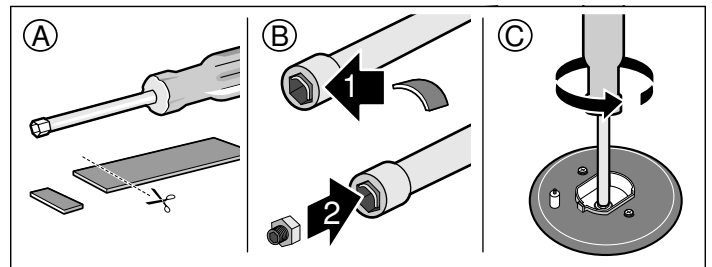
1. Retirar las rejillas, las tapas de los quemadores y los quemadores.

2. Retirar las espreas.

Notas

- Para retirar o sustituir las espreas, se necesita un desarmador con dado de 7 mm. El desarmador de dado tendrá que introducirse aproximadamente 2½" (64 mm) en la cavidad del quemador para alcanzar la esprea.
- Para reducir el riesgo de que la esprea se suelte del desarmador, añadir un pedazo de cinta de espuma o cinta adhesiva en el interior del dado.

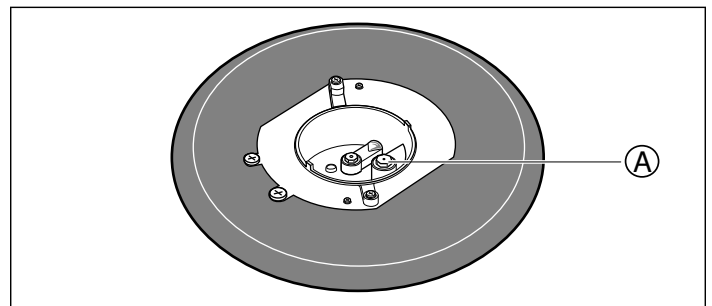
- A** Recortar un pequeño trozo de la cinta de espuma suministrada en este kit (aprox. ¼" x ½" / 6 mm x 12 mm)
- B** Introducirlo de modo que la cinta quede pegada a un lado del dado, para que no se mueva.
- C** La cinta quedará atrapada con la esprea y ayudará a evitar que esta se salga del dado durante la extracción.



Guardar las espreas para gas natural por si más tarde hiciera falta volver a convertir el aparato para utilizarlo con gas natural.

3. Identificar que las espreas para gas LP están correctamente colocadas, como se detalla en el capítulo *Antes de empezar*.

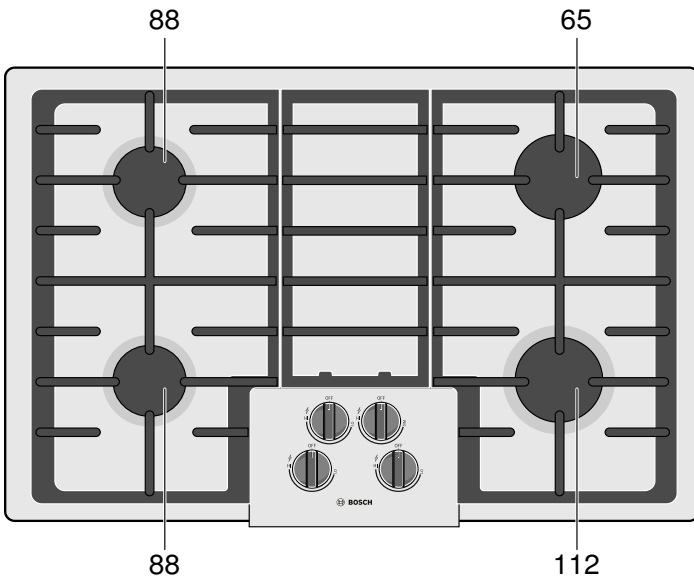
Nota: Los modelos NGMP056UC y NGMP656UC tienen una segunda esprea que se hará visible una vez se retire el quemador central. Esta esprea también se debe cambiar durante la conversión para usar gas LP.



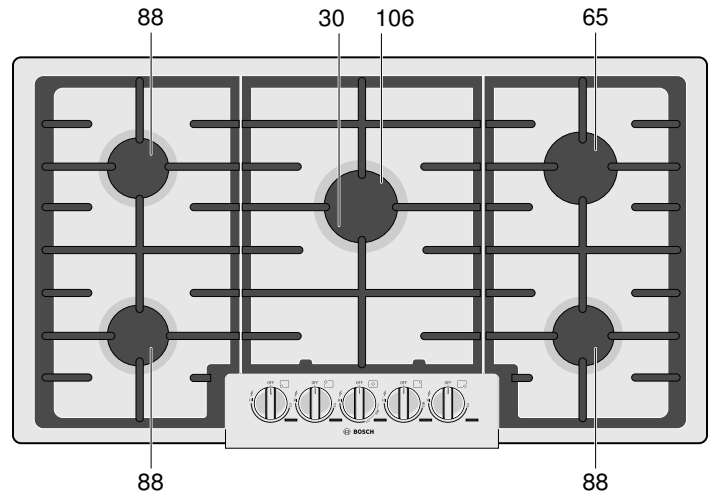
A Esprea central menor

Los tamaños de esprea de gas LP para cada quemador se muestran en las siguientes imágenes. Estos números aparecen grabados ya sea en la parte superior o en el lateral de cada esprea. Es muy importante instalar las espreas de la medida adecuada para cada quemador.

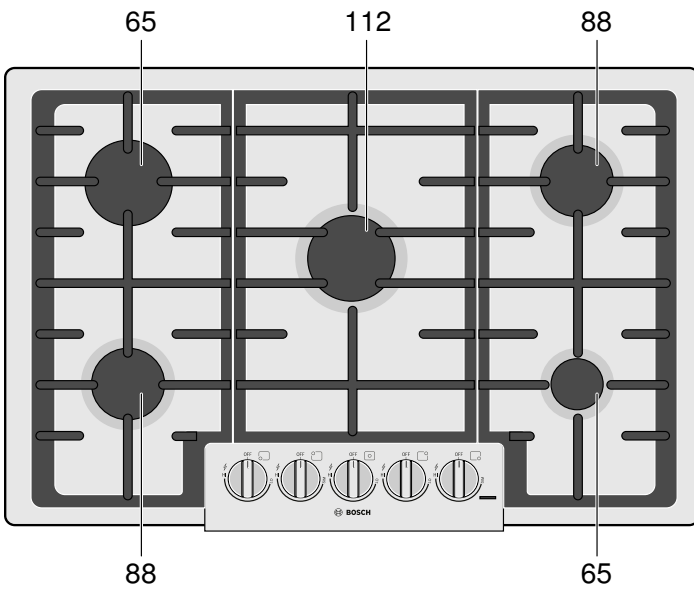
NGM5056UC



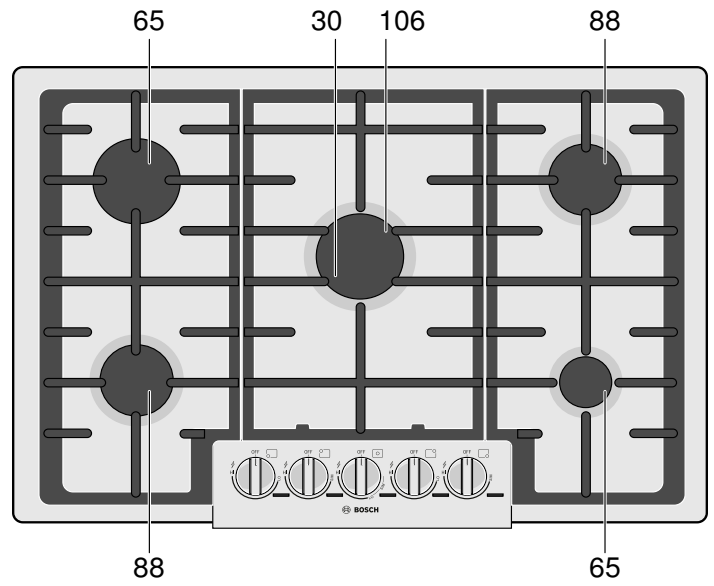
NGMP656UC



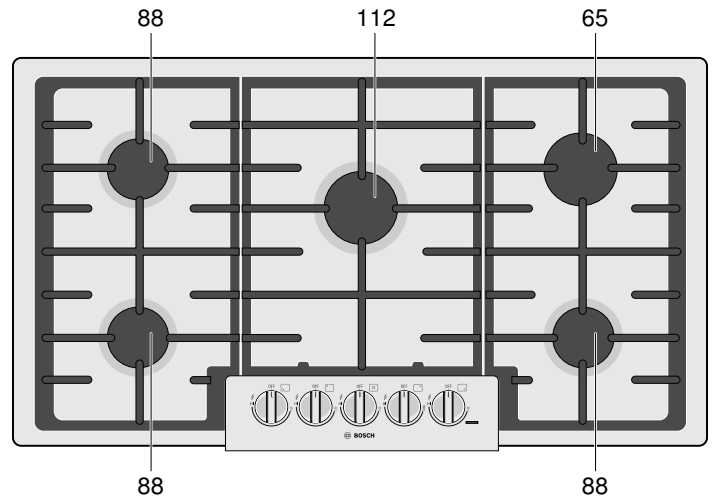
NGM8056UC



NGMP056UC



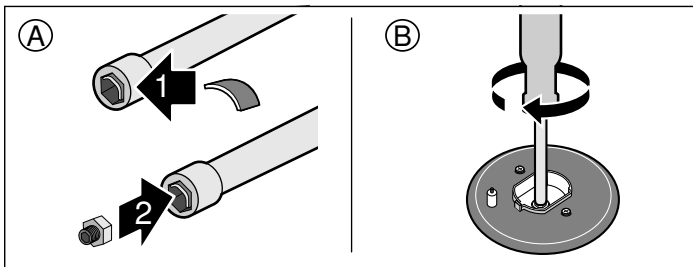
NGM5655UC, NGM8656UC



4. Insertar en el dado cada una de las espreas para Gas LP que se suministran con este kit (utilizar un pequeño trozo de cinta de espuma para asegurarse de que queden firmemente colocadas).

Nota: Los modelos NGMP056UC y NGMP656UC tienen dos espreas. La esprea mayor se debería instalar en el puerto central, y la menor en el puerto lateral.

- A** Comprobar y asegurarse de que el trozo de cinta de espuma utilizada antes está insertado pegado a un lado del dado.
- B** Al presionar el dado contra la esprea, la cinta contribuirá a que la esprea encaje mejor dentro del dado. De este modo, ayudará a evitar que la esprea se salga del dado durante la inserción.



Paso 3 - Sustituir los quemadores, las tapas de los quemadores y las rejillas

Sustituir los quemadores, las tapas de los quemadores y las rejillas. Asegurarse de que las rejillas estén colocadas correctamente y las patas de hule de las rejillas entren en las muescas de la placa de cocción para mantener la posición adecuada.

⚠ ADVERTENCIA

Para evitar que se produzcan llamaradas, no utilizar la placa de cocción hasta que todos los quemadores, todas las tapas de los quemadores y las rejillas estén correctamente colocadas.

⚠ ADVERTENCIA

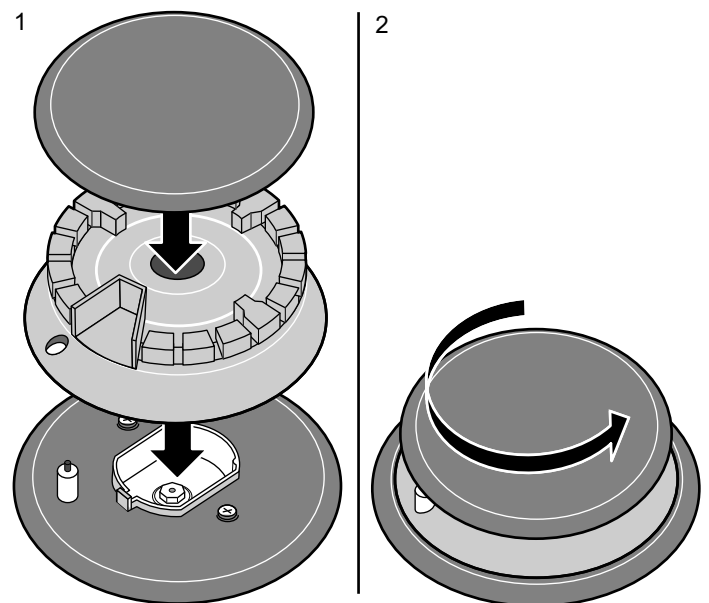
Para evitar quemaduras, no tocar los quemadores, las tapas de los quemadores o las rejillas cuando estén calientes. Apagar la placa de cocción y dejar enfriar los quemadores.

Las tapas de los quemadores deben estar colocadas correctamente para que la placa de cocción funcione bien. Si la tapa del quemador no está bien colocada, podrían darse uno o varios de los siguientes problemas:

- Las llamas de los quemadores son demasiado altas.
- Las llamas salen disparadas de los quemadores.
- El acero inoxidable se decolora.
- Los quemadores no se prenden.
- Las llamas del quemador no son uniformes.
- El quemador desprende olor a gas.

Colocación de las tapas y las bases de los quemadores

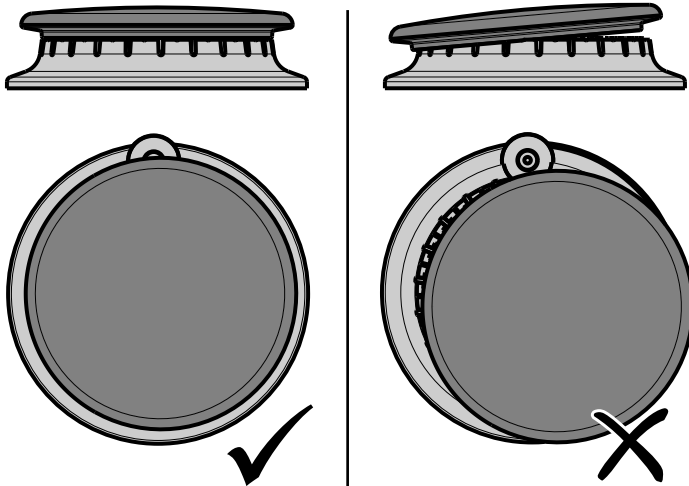
- El pequeño orificio o corte cerca del borde del quemador también debería estar alineado con el dispositivo de ignición. Girar el quemador hasta que el dispositivo de ignición esté alineado con el electrodo y descenderlo con suavidad hasta la base. El quemador no debería moverse si está colocado correctamente en la base. Tener especial cuidado para evitar dañar el dispositivo de ignición al montar la base. Consultar la ilustración de abajo.
- Una vez que todas las bases estén colocadas y bien apoyadas, poner cada tapa de quemador en su base correspondiente. Consultar la ilustración.
- Colocar las tapas de los quemadores suavemente sobre las bases de modo que los dientes de estas encajen cómodamente en las ranuras de las tapas.
- Si un instalador certificado retira la cubierta principal (por ejemplo, para comprobar las conexiones eléctricas o las tuberías), los tornillos de cabeza plana que se han extraído deben volver a atornillarse para garantizar el correcto funcionamiento de los quemadores.



Colocar las tapas y las bases de los quemadores

Comprobar la colocación de las tapas de los quemadores

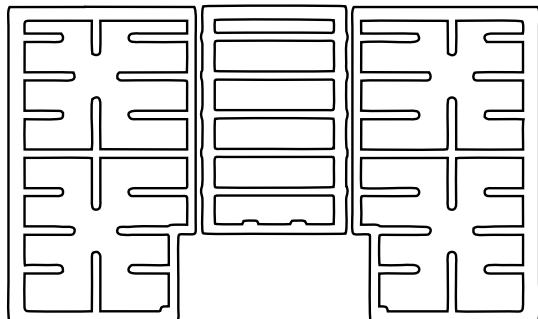
- Comprobar que no haya ninguna separación entre la tapa y la base del quemador. Consultar la ilustración de abajo para ver el posicionamiento correcto e incorrecto de la tapa del quemador.
- Puede probarse moviendo con suavidad la tapa del quemador hacia los lados para comprobar que esté colocado correctamente. Si lo está, la tapa emitirá un «clic» en cada lado cuando los dientes toquen el borde del hueco.



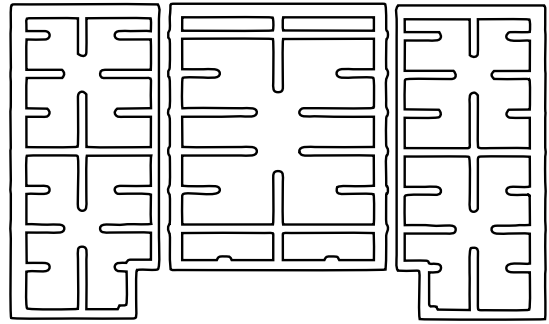
Comprobar la colocación de las tapas de los quemadores

Colocar las rejillas de los quemadores

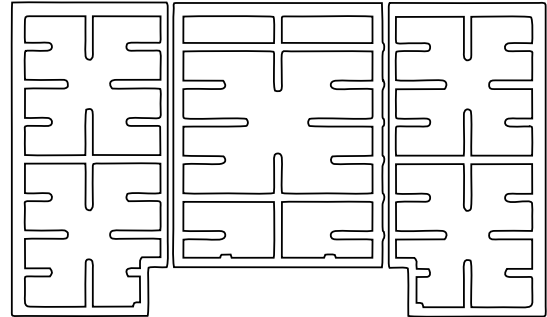
Posicionar y colocar cada rejilla de quemador como se muestra en la ilustración de abajo.



30", 4 quemadores



30", 5 quemadores



36", 5 quemadores

⚠ ADVERTENCIA

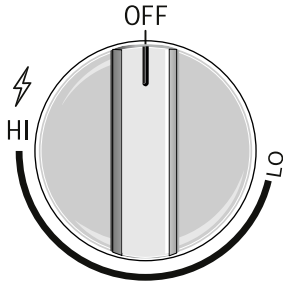
Para evitar que se produzcan llamaradas, apoyar bien los recipientes y evitar derramar alimentos, todas las rejillas deben estar correctamente colocadas en la placa de cocción siempre que esta se utilice. Las cuatro patas deben estar colocadas en las marcas correspondientes de la placa de cocción. No utilizar una rejilla si no tiene las patas de hule o están dañadas.

Para patas de hule de repuesto: llamar al Servicio de Asistencia Técnica en el número 1-800-944-2904.

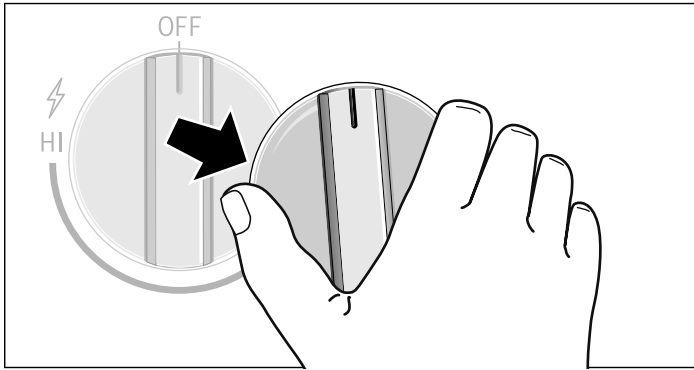
Paso 4 - Convertir las válvulas para su uso con gas LP

Hay que ajustar el flujo de paso para cada válvula. Los ejes de válvula de la cubierta pueden ser huecos o macizos. Determinar la ubicación del tornillo de paso según corresponda.

1. Girar todas las perillas hasta la posición «OFF».

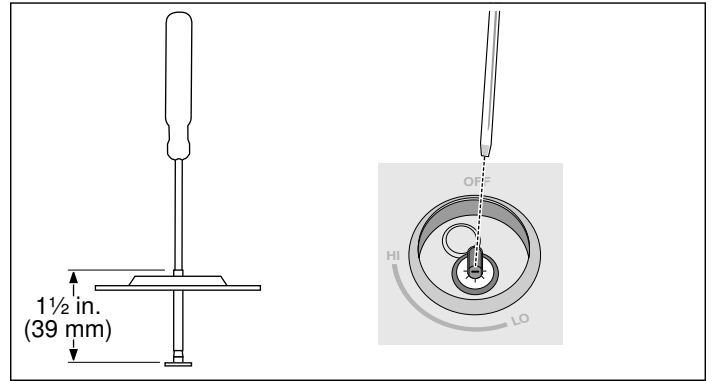


2. Retirar las perillas.



Nota: Todas las cubiertas tienen llaves de vástagos hueco excepto la válvula central de las unidades NGMP, que es maciza. Los llaves de vástago sólido no necesitan ajustarse.

3. **Llave de vástago hueco - (todos los quemadores excepto la llave central de las unidades NGMP):** insertar un desarmador largo y delgado de punta plana en el vástago hueco de la válvula. El tornillo de ajuste está aproximadamente a 1 1/2" (39 mm) de la parte superior del vástago.



4. Insertar la punta del desarmador en el tornillo de ajuste girando lentamente el desarmador y palpando con la punta hasta que se encaje en el tornillo. Después, girar el desarmador en sentido de las agujas del reloj unos 70 grados (menos de un 1/4 de vuelta) hasta que «llega al tope» (no se puede girar más). No es necesario aplicar mucha fuerza para girar el tornillo. Hay que detenerse cuando el tornillo ya no gire más. No apretarlo demasiado. Repetir el proceso en cada válvula hasta que todas se hayan ajustado correctamente.

5. **Llave de vástago hueco:** Sustituir la perilla.

Comprobar la instalación

Comprobar que no haya fugas de gas

▲ ADVERTENCIA

NO UTILIZAR NUNCA UNA LLAMA PARA COMPROBAR SI HAY FUGAS DE GAS

Si se detecta alguna fuga, no continuar con los siguientes pasos hasta que todas las fugas se hayan eliminado.

El instalador debe realizar una prueba de fugas de forma acorde con las instrucciones de esta sección.

Abrir el gas. Aplicar un fluido de detección de fugas en todas las juntas y acoplamientos en el suministro de gas entre la llave de cierre y la placa de cocción. Incluir también los acoplamientos y juntas de gas de la placa de cocción si existe la posibilidad de que las conexiones se hayan visto alteradas en el montaje. Si aparecen burbujas en los acoplamientos y conexiones, hay una fuga. También se puede utilizar un detector de fugas de gas electrónico.

Si se detecta una fuga, cerrar la llave de cierre del suministro de gas y apretar las conexiones donde se haya producido el escape. Volver a comprobar si hay fugas abriendo la llave. Cuando se finaliza la comprobación de fugas (no aparecen burbujas), la prueba ha terminado. Limpiar con un trapo todos los restos de fluido de detección.

Comprobar la presión del gas del colector

Durante cualquier prueba de presión del sistema de tuberías de suministro de gas con presiones superiores a 14" de columna de agua (aproximadamente 1/2" psig, 3.5 kPA), el electrodoméstico y su llave de cierre individual han de desconectarse del sistema de tuberías de suministro de gas.

Si es necesario comprobar la presión del gas del colector, conectar un manómetro (indicador del nivel de agua) u otro dispositivo de medición de presión de gas aprobado en la esprea derecha trasera del quemador superior. Tomar una manguera de hule con un diámetro interior de 1/4" y mantenerla apretada firmemente sobre la esprea. Abrir la llave del quemador.

Comprobación final

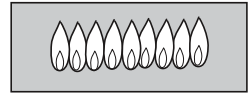
Quando se haya terminado la conversión, colocar cada tapa de quemador de tamaño correspondiente en su posición asentada y encajada, y comprobar el funcionamiento de los dispositivos de ignición eléctricos. Comprobar las características de la llama. La llama debe

ser azul con una mínima punta amarilla en su parte exterior.

Comprobar las características de la llama

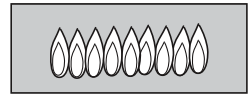
Llamas amarillas:

Se necesita un mayor ajuste.



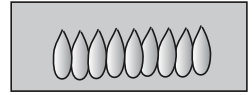
Puntas amarillas en la parte exterior:

Normal en Gas LP.



Llamas azul claro:

Normal en gas natural.



- Si la llama es total o principalmente amarilla, comprobar que el regulador esté configurado para el combustible adecuado. Tras el ajuste, volver a comprobar.
- Es normal que haya algunas vetas amarillas al inicio. Dejar funcionar durante 4-5 minutos a la unidad y volver a evaluar antes de hacer los ajustes.

Servicio técnico

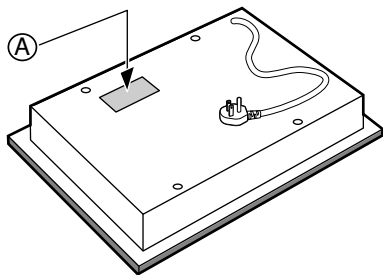
Antes de llamar al servicio técnico

Si los dispositivos de ignición no producen chispas o las lámparas indicadoras de encendido (disponibles en algunos modelos) no se iluminan, revisar la fuente de energía para comprobar si se ha fundido un fusible o se ha activado el breaker del circuito.

Consultar la declaración de garantía limitada en el Manual de uso y cuidado. Para obtener información sobre solución de problemas consultar el Manual de uso y cuidado.

Etiqueta de clasificación del producto

La etiqueta de clasificación muestra el número de modelo y el número FD (número de producción/identificador único del producto) de la placa de cocción. Está ubicada en el lado inferior de la placa de cocción.



Ubicación de la etiqueta de clasificación

A Etiqueta de clasificación

Número de modelo y número FD

El número de modelo y el número FD del electrodoméstico se pueden ver en la etiqueta de clasificación. Apuntar esos números en el espacio para ahorrar tiempo en caso de que el electrodoméstico necesite servicio técnico.

Modelo #

FD #

Servicio de Asistencia Técnica de Bosch 800-944-2904

Conservar la factura o los documentos de compra que confirmen la validación de la garantía, en caso de que el aparato necesite ser reparado.



9001256201

970807



BOSCH

Invented for life

1901 Main Street, Suite 600 • Irvine, CA 92614 • 800-944-2904
www.bosch-home.com • © 2017 BSH Home Appliances