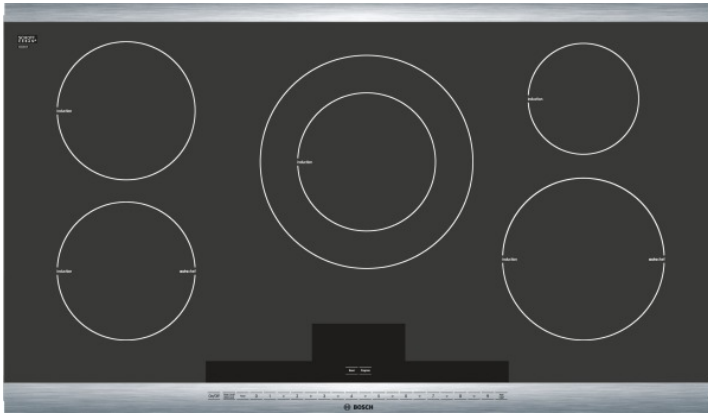


36" Induction Cooktop with SteelTouch™ Control and AutoChef®

800 Series - Black with Stainless Steel Strips

NIT8665UC



Features and Benefits

Key Features

- Dual 11" Heating Element with Powerful 4400W
- SpeedBoost™ - This Fast-heat Mode Boils Water Twice as Fast as Conventional Electric Cooktops, Saving Time and Energy.
- Countdown Timer - Built-In Timers for Each Element. Doubles as General-Purpose Kitchen Timer.
- AutoChef® Sensor - A Bosch Exclusive. Maintains Exact Frying Temperature for Perfect Results and Convenient, Healthy, Nutritional Cooking.
- SteelTouch™ with PreciseSelect™ - A Bosch Exclusive. High-end, Stainless Steel Touch Controls with Direct Cooking Selection (17 Settings).

Design

- Front and Back Stainless Steel Strip for a Premium Look
- SteelTouch™ with PreciseSelect™ - A Bosch Exclusive. High-end, Stainless Steel Touch Controls with Direct Cooking Selection (17 Settings).

Performance

- Dual 11" Heating Element with Powerful 4400W
- SpeedBoost™ - This Fast-heat Mode Boils Water Twice as Fast as Conventional Electric Cooktops, Saving Time and Energy.
- PreciseSelect™ - Direct Cooking Level Selection (17 Settings)
- AutoChef® Sensor - A Bosch Exclusive. Maintains Exact Frying Temperature for Perfect Results and Convenient, Healthy, Nutritional Cooking.
- Bosch Recommended Pan Included. Excellent Heating Performance and Superior Cleanability. Dishwasher safe. Works with Electric and Induction Cooktops. Also available as accessory: HEZ390230

Efficiency

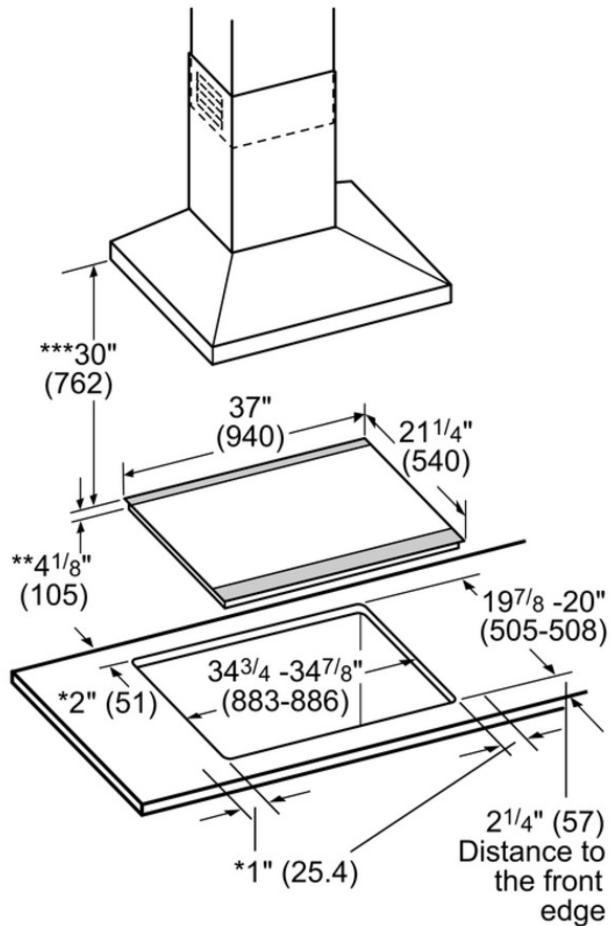
- PotSense™ - Automatically Adjusts Cooking Element to the Size of the Pan Bottom

Notes: All height, width and depth dimensions are shown in inches. *Please refer to installation instructions prior to making cutout. BSH reserves the absolute and unrestricted right to change product materials and specifications, at any time, without notice. Consult the product's installation instructions for final dimensional data and other details. Applicable product warranty can be found in a accompanying product literature or you may contact your account manager for further details.

For more information on our entire line of products, go to boschappliances.com or call 1-800-944-2904.
Copyright ©2013 BSH Home Appliances Corporation. All rights reserved. Bosch is a registered trademark of Robert Bosch GmbH.

Litho Date: 04/2013

36" Induction Cooktop with SteelTouch™ Control and AutoChef®
800 Series - Black with Stainless Steel Strips
NIT8665UC



- * Minimum distance from the cooktop cutout to the wall
- ** Installed depth includes 1" (26 mm) air clearance
- *** Minimum distance between surface of the cooktop and lower edge of the exhaust hood.

Dimensions in inches (mm)

Features

Knob Material	
Sealed Burners	No
Burners with booster	All
Type of grate	
Total BTU load	
LP Gas Connection Rating (BTU)	
Power of 1st heating element (kW in boost)	2.5
Dimension of 1st heating element (in)	7"
Power of 2nd heating element (kW in boost)	2.5
Dimension of 2nd heating element (in)	7"
Power of 3rd heating element (kW in boost)	3.6, 2.5, 4.4
Dimension of 3rd heating element (in)	7", 11"
Power of 4th heating element (kW in boost)	1.8
Dimension of 4th heating element (in)	6"
Power of 5th heating element (kW in boost)	3.3
Dimension of 5th heating element (in)	9"
Power of 6th heating element (kW in boost)	
Dimension of 6th heating element (in)	

Technical Specification

UPC code	825225866411
Variant color	Black
Energy source	Electric
Gas type	
Alternative gas type	
Watts (W)	10800
Current (A)	50
Volts (V)	208-240
Frequency (Hz)	60
Approval certificates	CSA
Power cord length (in)	37
Plug type	No plug
Required cutout size (HxWxD) (in)	4 1/8" x 34 7/8" x 20"
Minimum distance from counter front (in)	2 1/4"
Minimum distance from rear wall (in)	2"
Overall appliance dimensions (HxWxD) (in)	5/16"+4 1/8" x 37" x 21 1/4"
Product packaging dimensions (HxWxD) (in)	7 1/16" x 42 1/8" x 26 3/4"
Net weight (lbs)	49
Gross weight (lbs)	60
Total number of cooktop burners	5

Notes: All height, width and depth dimensions are shown in inches. *Please refer to installation instructions prior to making cutout. BSH reserves the absolute and unrestricted right to change product materials and specifications, at any time, without notice. Consult the product's installation instructions for final dimensional data and other details. Applicable product warranty can be found in a accompanying product literature or you may contact your account manager for further details.

For more information on our entire line of products, go to boschappliances.com or call 1-800-944-2904.
Copyright ©2013 BSH Home Appliances Corporation. All rights reserved. Bosch is a registered trademark of Robert Bosch GmbH.

Litho Date: 04/2013