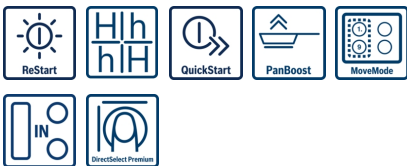
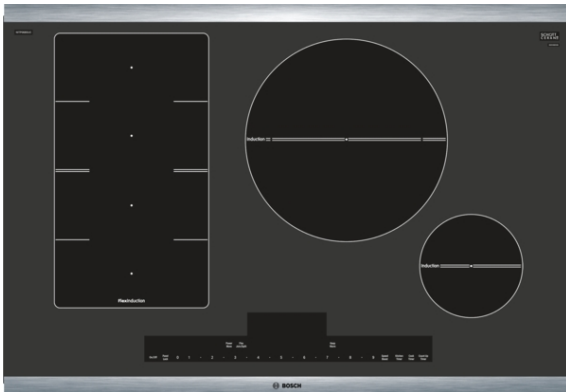


Cooktops

30" Induction Cooktop Benchmark® Series - Black with Stainless Steel Frame NITP068SUC



FlexInduction® Cooktop Allows You to Place Your Cookware Wherever You Want on the Flexible Cooking Zone.

- FlexInduction® - Provides More Flexibility by Combining Two Cooking Zones Into One Larger Zone
- 11" Cooking Zone for Larger Pots and Pans
- PowerMove™ - Divides FlexInduction® Into 3 Preset Power Level Zones. Simply Move the Cookware to Change the Power Level
- SpeedBoost® - Adds Even More Power to Speed Up the Cooking Process
- **Also Available as Frameless Option: NITP068UC**

Technical Data

Sealed Burners :	No
Burners with booster :	All
Power of 2nd heating element (W) :	3.3
UPC code :	825225919698
Variant color :	Black
Energy source :	Electric
Current (A) :	30
Volts (V) :	208-240
Frequency (Hz) :	60
Approval certificates :	CSA
Power cord length (in) :	37"
Power cord length (cm) :	96
Plug type :	no plug
Required cutout size (HxWxD) (mm) :	105 x 731-734 x 505-508
Minimum distance from counter front (in) :	2 1/4"
Minimum distance from rear wall (in) :	2"
Overall appliance dimensions (HxWxD) (in) :	5/16"+4 1/8" x 31" x 21 1/4"
Overall appliance dimensions (HxWxD) (mm) :	105 x 788 x 540
Product packaging dimensions (HxWxD) (in) :	7 1/16" x 36 5/8" x 26 5/8"
Net weight (lbs) :	43
Net weight (kg) :	19.0
Gross weight (lbs) :	51
Gross weight (kg) :	23.0
Total number of cooktop burners :	4

Optional accessories

- HEZ390210 : System pan Ø 15cm
- HEZ390230 : System pan diameter 21cm
- HEZ390512 : Teppan Yaki (large)
- HEZ390522 : Griddle Plate

Cooktops

30" Induction Cooktop Benchmark® Series - Black with Stainless Steel Frame NITP068SUC

FlexInduction® Cooktop Allows You to Place Your Cookware Wherever You Want on the Flexible Cooking Zone.

Design

- Front and Back Stainless Steel Strip for a Premium Look

Efficiency

- PotSense™ - Automatically Adjusts Cooking Element to the Size of the Pan Bottom
- ShortBoost - Ideal for Cooking With Oil, or Pans With Thin Walls or Non-Stick Coating

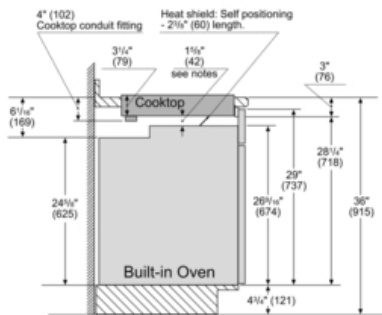
Convenience

- Each Cooking Zone Has an Independent Countdown Timer
- Count Up Timer – Stopwatch Function That Enables Close Monitoring of the Progress of Each Dish
- PreciseSelect™ - Direct Cooking Level Selection (17 Settings)
- ChildLock - Prevents the Cooktop from Being Accidentally Switched on. Locks Temperature Settings if in Use.
- Keep Warm Function - Ideal for Melting Chocolate or Butter
- SafeStart - Ensures that Element is Only Activated, if Suitable Cookware is in Position; no Activation When Other Metal Objects are Placed on Element

Cooktops

30" Induction Cooktop Benchmark® Series - Black with Stainless Steel Frame NITP068SUC

30" Built-in oven - under induction cooktop

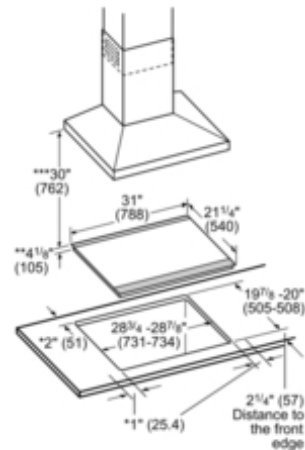


Notes:

Dimensions based on standard countertop height (36" with 4 1/4" toe kick including base plate).

The built-in oven can be installed below the induction cooktop as long as there is a minimum 1" (26 mm) clearance between the bottom of the cooktop and the top of the oven.

measurements in inches (mm)



- * Minimum distance from the cooktop cutout to the wall
- ** Installed depth includes 1" (26 mm) air clearance
- *** Minimum distance between surface of the cooktop and lower edge of the exhaust hood. Dimensions in inches (mm)