

# 18" Built-In Custom Panel Single Door Freezer

Benchmark® Series – Custom Panel B18IF900SP



**B18IF900SP**  
Custom Panel

**The 18" Custom Panel single door built-in freezer works efficiently to keep food fresh longer, and prevent the transfer of flavors and odors.**

## Features & Benefits

Remotely monitor and control your refrigerator with the Home Connect™ app.

Bright LED lighting illuminates the entire interior.

Optiflex® hinge allows for flush-mount doors, without damaging surrounding cabinetry.

ENERGY STAR® qualified for energy efficiency.

| General Properties            |                                       |
|-------------------------------|---------------------------------------|
| Home Connect™ (Wi-Fi Enabled) | Yes                                   |
| Reversible door hinge         | Yes                                   |
| Water filter                  | Yes                                   |
| Lighting                      | All-LED sidewall and theater lighting |
| Number of shelves             | 6                                     |
| Defrost process               | Automatic                             |
| Number of drawers             | 2                                     |
| Adjustable shelves            | 2                                     |
| Shelf material                | Glass w/ metal trim, metal bin        |
| Type of shelves               | Glass w/ metal trim                   |
| Ice maker                     | Yes                                   |
| Quick ice                     | Yes                                   |
| Capacity                      |                                       |
| Total capacity                | 8.6 cu. ft.                           |
| Technical Details             |                                       |
| Watts (W)                     | 367 W                                 |
| Current (A)                   | 15 A                                  |
| Volts (V)                     | 120 V                                 |
| Frequency (Hz)                | 60 Hz                                 |
| Power cord length (in.)       | 118"                                  |
| Plug type                     | 3-Prong                               |

| Dimensions & Weight                    |                            |
|--|----------------------------|
| Appliance dimensions (H x W x D) (in.) | 84" x 17 3/4" x 24 3/4"    |
| Required cutout size (H x W x D) (in.) | 84" x 18" x 24 3/4" or 25" |
| Net weight (lbs)                       | 332 lbs                    |
| Efficiency                             |                            |
| ENERGY STAR® qualified                 | Yes                        |
| Energy consumption (kWh/yr)            | 443 kWh                    |



**Accessories:** To purchase Bosch accessories, cleaners & parts please visit [www.bosch-home.com/us/store](http://www.bosch-home.com/us/store) or call 1-800-944-2904 (Mon to Fri 5 am to 6 pm PST, Sat 6 am to 3 pm PST).

**Notes:** All height, width and depth dimensions are shown in inches. BSH reserves the absolute and unrestricted right to change product materials and specifications, at any time, without notice. Consult the product's installation instructions for final dimensional data and other details prior to making cutout.

**Warranties:** Please see Use & Care manual or Bosch website for statement of limited warranty.

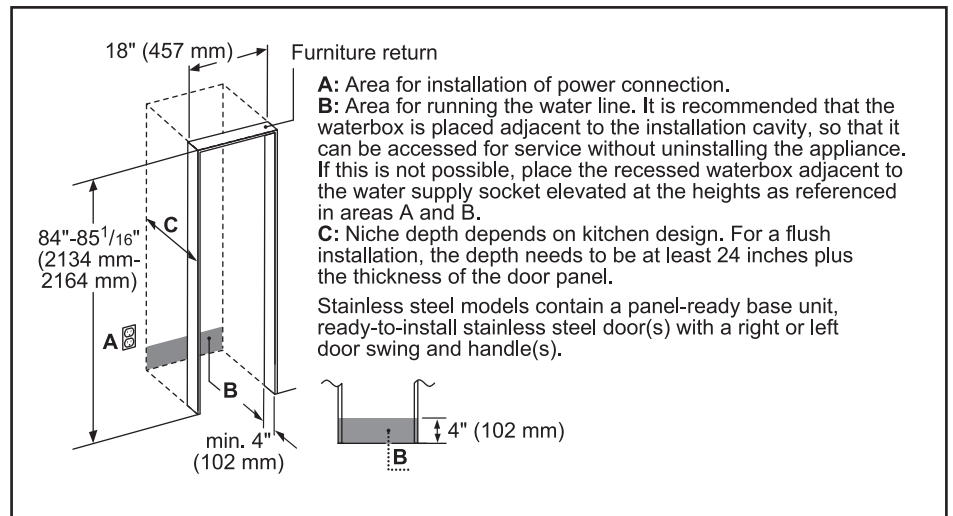
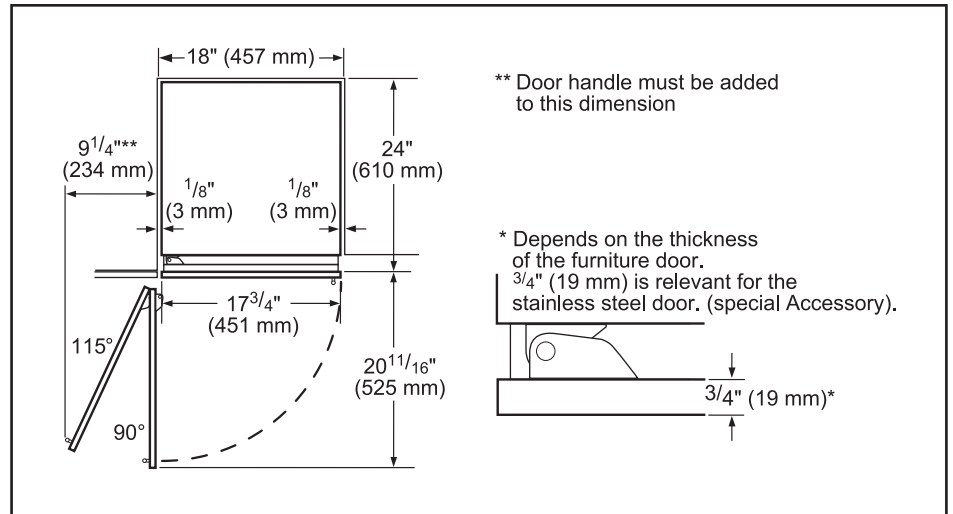
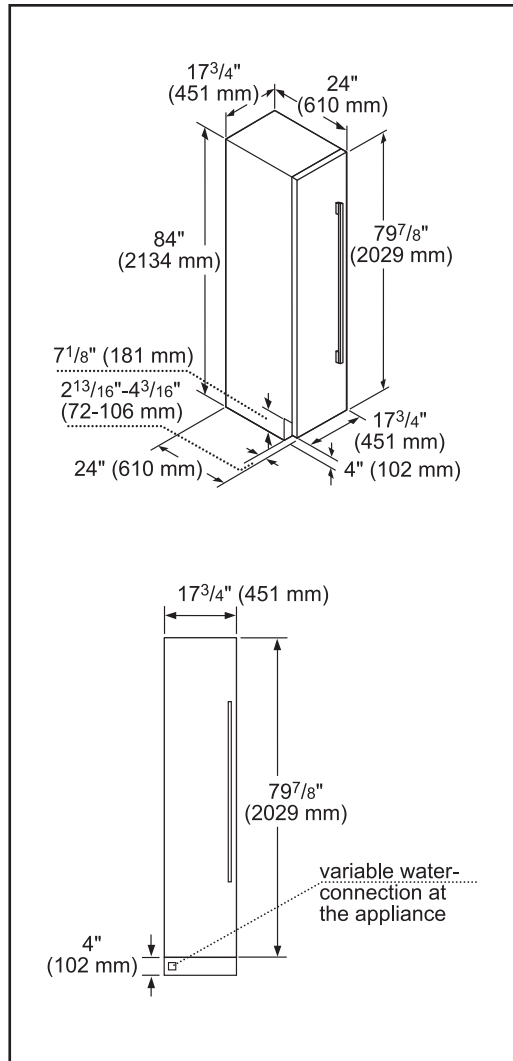
**For more information on our entire line of products, go to [www.bosch-home.com/us](http://www.bosch-home.com/us) or call 1-800-944-2904**

© BSH Home Appliances Corporation. All rights reserved. Bosch is a registered trademark of Robert Bosch GmbH.

# 18" Built-In Custom Panel Single Door Freezer

Benchmark® Series – Custom Panel B18IF900SP

## Installation Details



**IMPORTANT:** Handleless Panels should not be installed on units without the soft close capability. If you are uncertain if you have a refrigeration unit with soft close capability please contact our customer team by calling 1-800-735-4328.

**Accessories:** To purchase Bosch accessories, cleaners & parts please visit [www.bosch-home.com/us/store](http://www.bosch-home.com/us/store) or call 1-800-944-2904 (Mon to Fri 5 am to 6 pm PST, Sat 6 am to 3 pm PST).

**Notes:** All height, width and depth dimensions are shown in inches. BSH reserves the absolute and unrestricted right to change product materials and specifications, at any time, without notice. Consult the product's installation instructions for final dimensional data and other details prior to making cutout.

**Warranties:** Please see Use & Care manual or Bosch website for statement of limited warranty.

**For more information on our entire line of products, go to [www.bosch-home.com/us](http://www.bosch-home.com/us) or call 1-800-944-2904**

© BSH Home Appliances Corporation. All rights reserved. Bosch is a registered trademark of Robert Bosch GmbH.