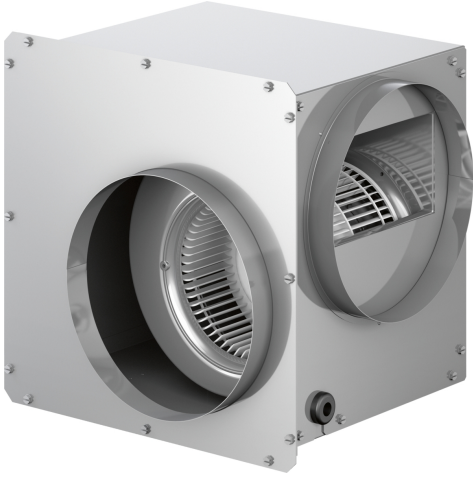


**800 Series, Blower
DHG602DUC**



**600 CFM Flexible Blower Can Mount To
Downdraft Or Be Used As An Inline
Blower, And Can Be Rotated To Exhaust
Downward Or To Sides**

- 600 CFM on High Speed

Product group: Accessory
Brand: Bosch
SKU: DHG602DUC
Internal article number: 00000000000717973
EAN code: 4242002916026
Product Packaging Dimensions (HxWxD): ...8 11/16" x 16 9/16" x 17 5/16"
Net Weight: 19.000 lbs
Gross Weight: 22.000 lbs
Standard number of units per pallet: 30
UPC code: 825225921219




**800 Series, Blower
DHG602DUC****600 CFM Flexible Blower Can Mount To
Downdraft Or Be Used As An Inline
Blower, And Can Be Rotated To Exhaust
Downward Or To Sides**

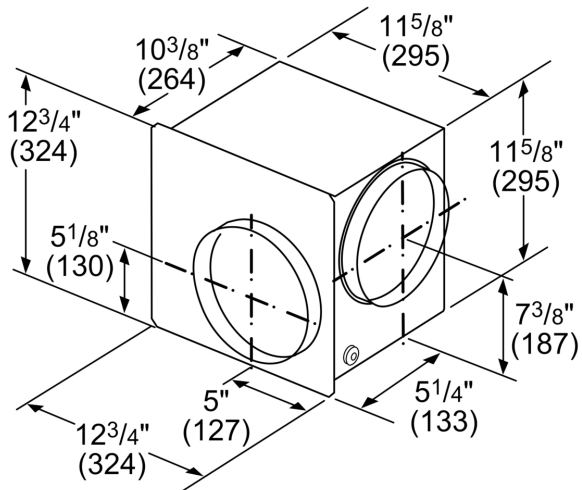
Design

- 600 CFM Flexible Blower Has 8" Round Duct Exhaust
- Some Blower Positions May Need Deeper Cabinets. See Installation Guide
- Additional Accessories May Be Required For Installation, See Manual

Performance

- Capable Up To 600 CFM In Performance

800 Series, Blower
DHG602DUC



measurements in inches and (mm)