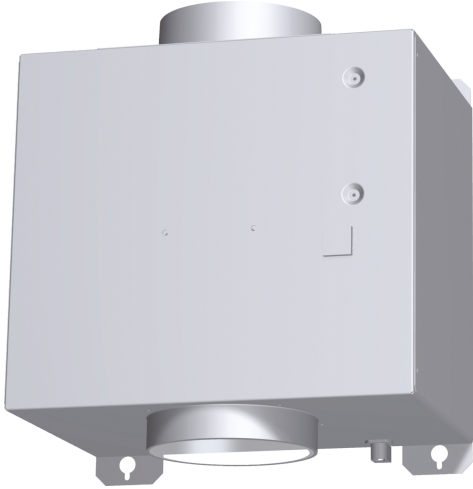


**Blower
DHI1FZUC**



**In-Line Blower Gives You the Appropriate
CFM's Needed for Your 800 Series
Downdraft Ventilation Hood**

- **Mounts Outside of the Downdraft, and Installs Inside the Home in the Attic or Basement Run of Duct Work**
- **600 CFM on High Speed**

Product group: Accessory
Brand: Bosch
SKU: DHI1FZUC
Internal article number: DHI1FZUC
EAN code: 4242005271771
Product Packaging Dimensions (HxWxD): 16.22 x 25.98 x 22.59
Net Weight: 23.000 lbs
Gross Weight: 24.000 lbs
UPC code: 825225964841



EXTNCB25 25' Blower Connection Cable

Blower DHI1FZUC

In-Line Blower Gives You the Appropriate CFM's Needed for Your 800 Series Downdraft Ventilation Hood

Key Features

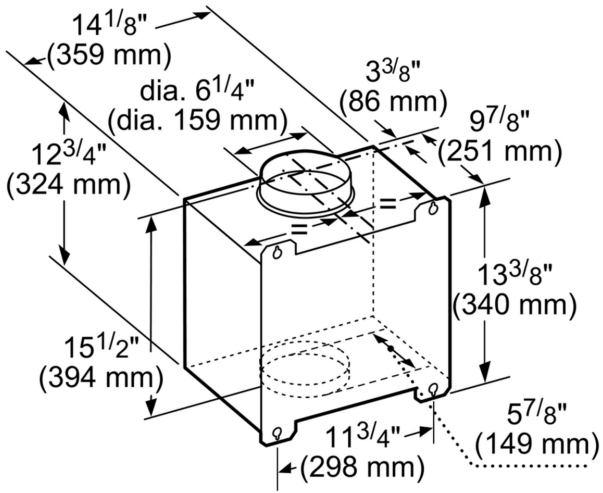
Convenience

- Use the EXTNCB25 Blower Cable Connection Accessory for install with select hoods. Separate purchase required.

Design

- Designed to be mounted inline with the ducting installation

Blower
DHI1FZUC



measurements in inches (mm)