

L6230SS, L6236SS AND L6242SS CUSTOM HOOD LINERS



Essential for protecting the exterior base of the cabinet.
Fit EC62 Series power packs.

FEATURES

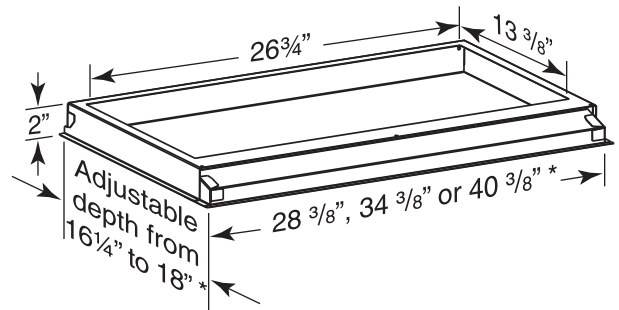
- Cabinet mount—custom application.
- Stainless steel finish.
- Adjustable depth from 16¼" to 18"
- Fit custom hood nominal widths: 30", 36" or 42"
- Wipe clean easily.

TO ORDER

Refer to the table below to determine which liner model corresponds to the following custom hood nominal width.

CUSTOM HOOD LINER MODEL	CUSTOM HOOD NOMINAL WIDTH
L6230SS	30"
L6236SS	36"
L6242SS	42"

DIMENSIONS



* Exterior depth and width dimensions do not include 3/8" wide flanges.

Broan-NuTone Canada Inc., Mississauga, Ontario www.broan.ca 866-882-7626

REFERENCE	QTY.	REMARKS	Project
			Location
			Architect
			Engineer
			Contactoer
			Submitted by Date