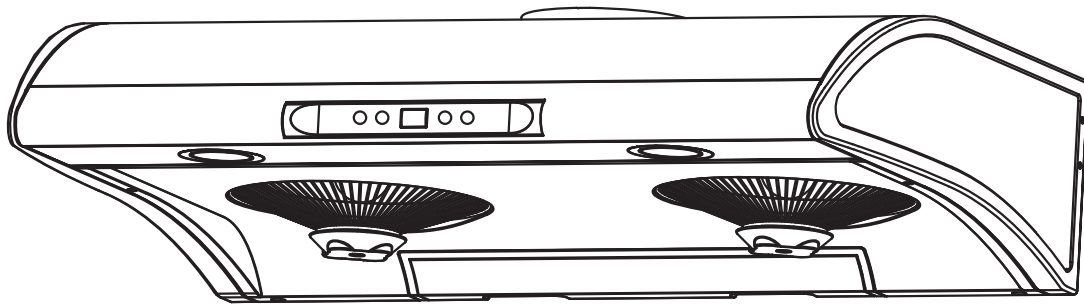

INSTALLATION GUIDE

BROAN®



HB0111

BDF SERIES

⚠ INTENDED FOR DOMESTIC COOKING ONLY ⚠

READ AND SAVE THESE INSTRUCTIONS

INSTALLER: LEAVE THIS MANUAL WITH HOMEOWNER.
HOMEOWNER: USE AND CARE INFORMATION ON PAGES 9-10.

Broan-NuTone Canada ULC; Mississauga, Ontario 1-877-896-1119
www.broan.ca

REGISTER YOUR PRODUCT ON LINE AT: www.broan.com/register

30042454 rev. B

IMPORTANT SAFETY INSTRUCTIONS

WARNING

TO REDUCE THE RISK OF FIRE, ELECTRIC SHOCK OR INJURY TO PERSON(S), OBSERVE THE FOLLOWING:

1. Use this unit only in the manner intended by the manufacturer. If you have questions, contact the manufacturer at the address or telephone number listed in the warranty.
2. Before servicing or cleaning unit, switch power off at service panel and lock service disconnecting means to prevent power from being switched on accidentally. When the service disconnecting means cannot be locked, securely fasten a prominent warning device, such as a tag, to the service panel.
3. Installation work and electrical wiring must be done by qualified personnel in accordance with all applicable codes and standards, including fire-rated construction codes and standards.
4. Sufficient air is needed for proper combustion and exhausting of gases through the flue (chimney) of fuel burning equipment to prevent backdrafting. Follow the heating equipment manufacturer's guidelines and safety standards such as those published by the National Fire Protection Association (NFPA) and the American Society for Heating, Refrigeration and Air Conditioning Engineers (ASHRAE) and the local code authorities.
5. When cutting or drilling into wall or ceiling, do not damage electrical wiring and other hidden utilities.
6. Ducted fans must always be vented to the outdoors.
7. Do not use this unit with any solid-state speed control device.
8. To reduce the risk of fire, use only metal ductwork.
9. This unit must be grounded.
10. When performing installation, servicing or cleaning the unit, it is recommended to wear safety glasses and gloves.
11. When applicable local regulations comprises more restrictive installation and /or certification requirements, the aforementioned requirements prevail on those of this document and the installer agrees to conform to these at his own expenses.

TO REDUCE THE RISK OF A RANGE TOP GREASE FIRE:

- a) Never leave surface units unattended at high settings. Boilovers cause smoking and greasy spillovers that may ignite. Heat oils slowly on low or medium settings.
- b) Always turn hood ON when cooking at high heat or when flaming foods (i.e.: Crêpes Suzette, Cherries Jubilee, Peppercorn Beef Flambé).
- c) Clean ventilating fans frequently. Grease should not be allowed to accumulate on fan, filters or in exhaust ducts.
- d) Use proper pan size. Always use cookware appropriate for the size of the surface element.

WARNING

TO REDUCE THE RISK OF INJURY TO PERSON(S) IN THE EVENT OF A RANGE TOP GREASE FIRE, OBSERVE THE FOLLOWING*:

1. SMOTHER FLAMES with a close fitting lid, cookie sheet or metal tray, then turn off the burner. BE CAREFUL TO PREVENT BURNS. IF THE FLAMES DO NOT GO OUT IMMEDIATELY, EVACUATE AND CALL THE FIRE DEPARTMENT.
2. NEVER PICK UP A FLAMING PAN — You may be burned.
3. DO NOT USE WATER, including wet dishcloths or towels — This could cause a violent steam explosion.
4. Use an extinguisher ONLY if:
 - A. You know you have a Class ABC extinguisher and you know how to operate it.
 - B. The fire is small and contained in the area where it started.
 - C. The fire department has been called.
 - D. You can fight the fire with your back to an exit.

* Based on "Kitchen Fire Safety Tips" published by NFPA.

CAUTION

1. For indoor use only.
2. For general ventilating use only. Do not use to exhaust hazardous or explosive materials and vapors.
3. To avoid motor bearing damage and noisy and/or unbalanced impellers, keep drywall spray, construction dust, etc. off power unit.
4. Your hood motors have a thermal overload which will automatically shut off the motors if it becomes overheated. The motors will restart when it cools down. If the motors continues to shut off and restart, have the hood serviced.
5. The bottom of the hood MUST NOT BE LESS than 26" and at a maximum of 30" above cooktop for best capture of cooking impurities. **For a gas range**, the bottom of the hood MUST NOT BE LESS than 28" above cooktop.
6. Two installers are recommended because of the size of this hood.
7. To reduce the risk of fire and to properly exhaust air, be sure to duct air outside — Do not exhaust air into spaces within walls or ceiling or into attics, crawl space or garage.
8. Because of the high exhausting capacity of this hood, you should make sure enough air is entering the house to replace exhausted air by opening a window close to or in the kitchen.
9. Please read specification label on product for further information and requirements.

ABOUT THIS MANUAL

Please take note this manual uses the following symbols to emphasize particular information:

⚠ WARNING

Identifies an instruction which, if not followed, might cause serious personal injuries including possibility of death.

CAUTION

Denotes an instruction which, if not followed, may severely damage the unit and/or its components.

NOTE: Indicates supplementary information needed to fully complete an instruction.

TABLE OF CONTENTS

1. INSTALL DUCTWORK	3
2. PREPARE THE INSTALLATION	4
3. PREPARE THE HOOD	5-6
4. INSTALL THE HOOD	6
5. CONNECT WIRING	7
6. LIGHT BULBS	8
7. CLEANING AND MAINTENANCE	9-10
8. OPERATION	10
9. WIRING DIAGRAM	11
10. SERVICE PARTS	11
11. WARRANTY	12

1. INSTALL DUCTWORK

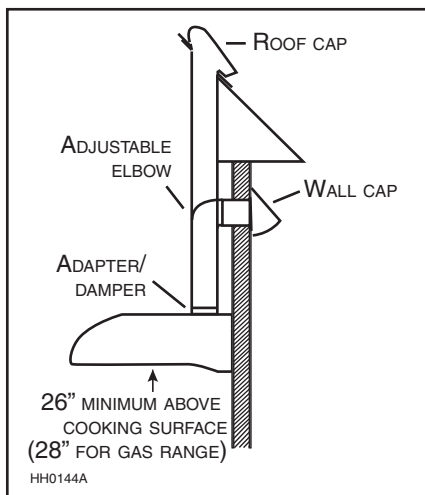
Choose where the ductwork will run between the hood and outdoors.

A straight, short duct run will allow the hood to perform most efficiently.

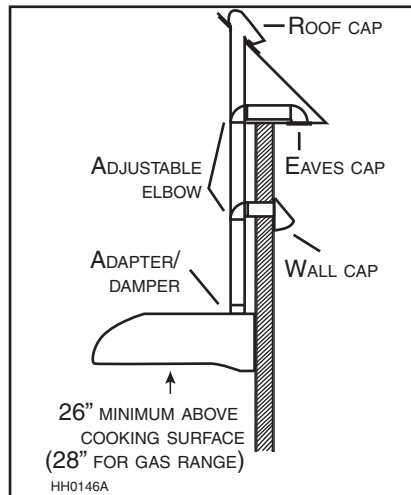
Long duct runs and elbows will reduce the performance of the hood. Use as few of them as possible.

Install proper-sized ductwork, elbow(s) and roof or wall cap for the type of discharge chosen. Use 2" metal foil duct tape to seal joints.

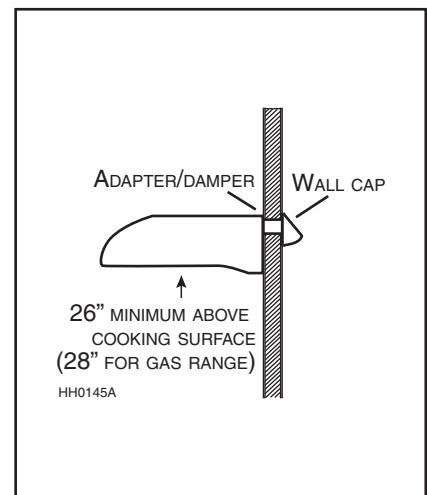
**VERTICAL DISCHARGE
USING 6" ROUND DUCT**



**VERTICAL DISCHARGE
USING 3 1/4" X 10" DUCT**



**HORIZONTAL DISCHARGE
USING 3 1/4" X 10" DUCT**



NOTE: We recommend to install the hood at a minimum of 26" from an electric range fan at 28" from a gas range. For optimal performance, the hood should not be installed more than 30" from cooking surface.

2. PREPARE INSTALLATION

⚠ WARNING

When performing installation, servicing or cleaning the unit, it is recommended to wear safety glasses and gloves.

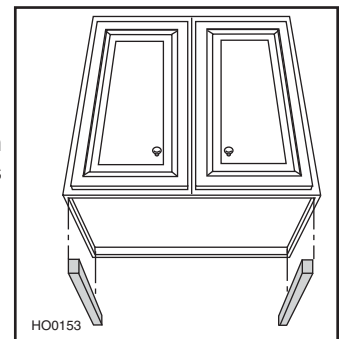
Tools needed to install the range hood:

- Phillips screwdriver no. 2
- Pair of long nose pliers
- Flat blade screwdriver (to open the electrical knockout hole)
- Scissors (to cut metal foil duct tape)
- Wire stripper

Make sure the following items are included:

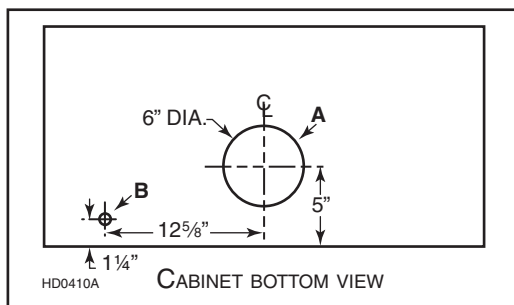
- Hood
- Adapter/dampers: Horizontal 3¼" x 10", vertical 3¼" x 10" and vertical 6" round
- Halogen bulbs (2) (JC type, 12 V, 20 W, G4 base)
- Parts bag including: 1 wire clamp, 4 no. ST4.8 x 15 mm mounting screws, 3 wire connectors

NOTE: If the bottom of the cabinet is recessed, attach wood strips (not included), as shown beside, in order to properly install the range hood under the cabinet. The wood strips must be as thick as recess.

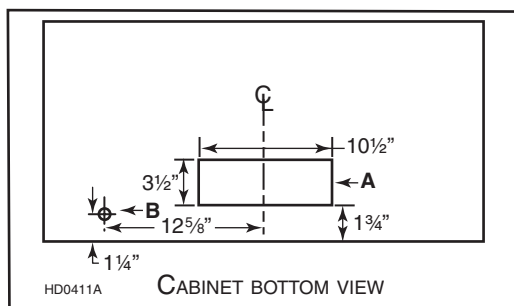


Cut-out the openings for duct (A) and power cable (B), in cabinet or wall, according to the direction of discharge chosen. See illustrations below.

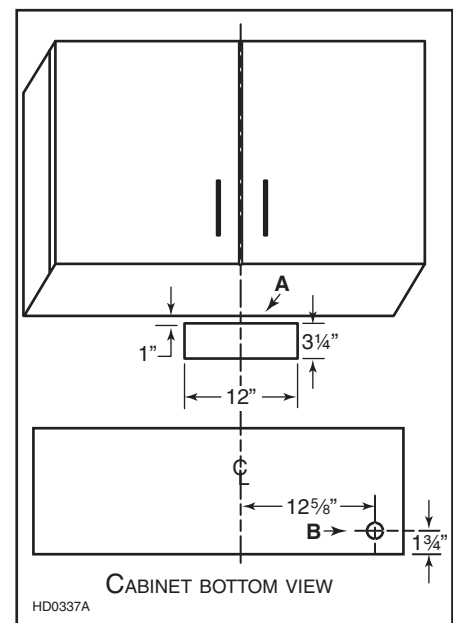
VERTICAL DISCHARGE (6" ROUND DUCT)



VERTICAL DISCHARGE (3¼" x 10" DUCT)



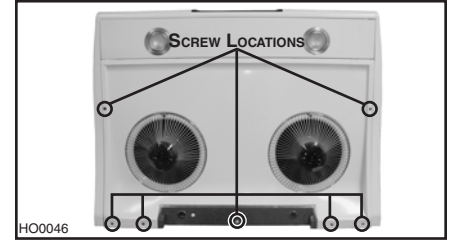
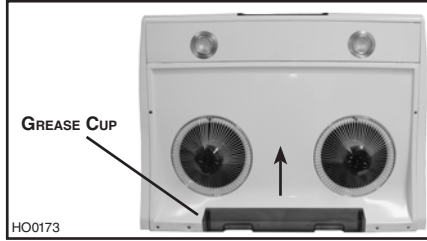
HORIZONTAL DISCHARGE



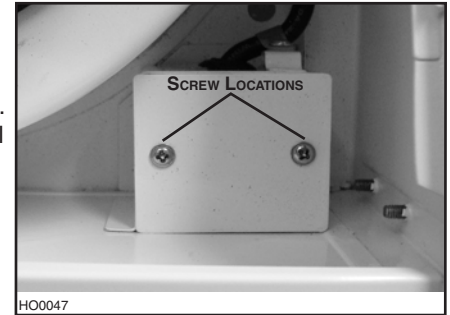
3. PREPARE THE HOOD

3.1 ALL INSTALLATIONS

1. Lay the hood on its top on a table. Use a piece of cardboard to avoid damaging the table or the hood. Slide the main grease cup out and set aside. Remove the bottom panel 7 retaining screws. Set bottom panel and screws aside.

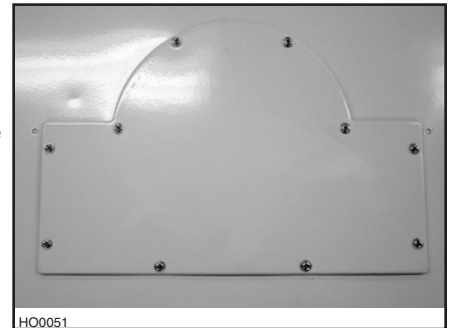


2. Remove both electrical box cover retaining screws. Remove cover and set aside with screws. Turn the hood over and punch out the wiring knock-out located on TOP of the unit and install the wire clamp (included).



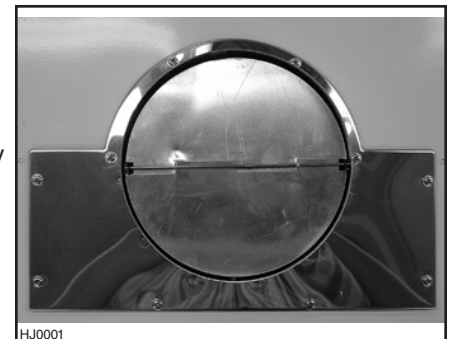
3.2 VERTICAL DISCHARGE ONLY

1. Remove the shutoff plate 10 retaining screws. Set the screws aside and discard the shutoff plate.



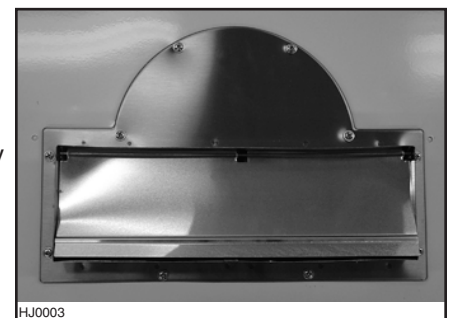
6" ROUND DUCT INSTALLATION

2. Mount the 6" round adapter/damper on top of the hood, using the 10 screws previously removed.



3 1/4" x 10" DUCT INSTALLATION

2. Mount the 3 1/4" x 10" adapter/damper on top of the hood, using the 10 screws previously removed.



3. PREPARE THE HOOD (CONT'D)

3.3 HORIZONTAL DISCHARGE ONLY

1. Remove the large shutoff plate 5 retaining screws located on the BACK of the hood. Discard the shutoff plate and its screws.



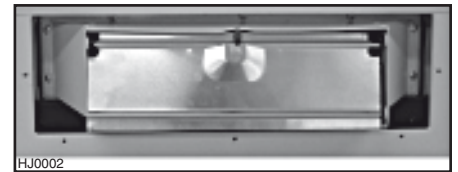
2. Remove the small shutoff plate 10 retaining screws located INSIDE the back of the hood. Set the screws aside and discard the shutoff plate.



3. Using the 10 screws previously removed in step 2, install the adapter in the inside back of the hood.



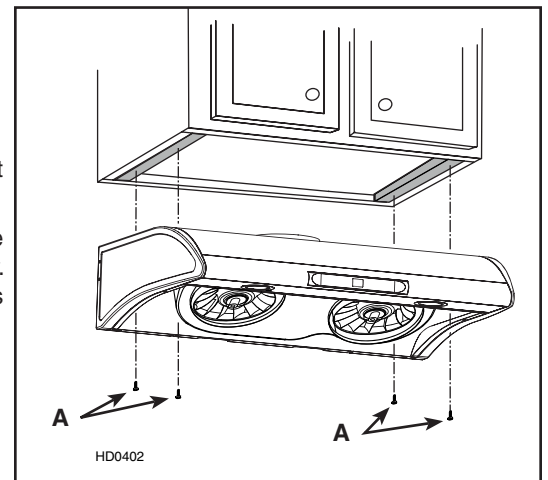
4. Install the damper in the adapter, as shown beside.



4. INSTALL THE HOOD

Run power cable to installation location. Place the hood close to its location and insert the cable in the hood.

Place the hood under the cabinet and tighten the wire clamp to secure the cable. Make sure the adapter/damper assembly enters the ducting and the damper opens freely. Secure the hood by installing and tightening the 4 no. ST4.8 x 15 mm mounting screws (included) completely at sides locations (A).

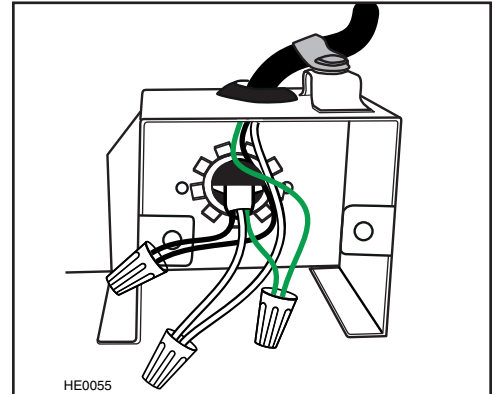


5. CONNECT WIRING

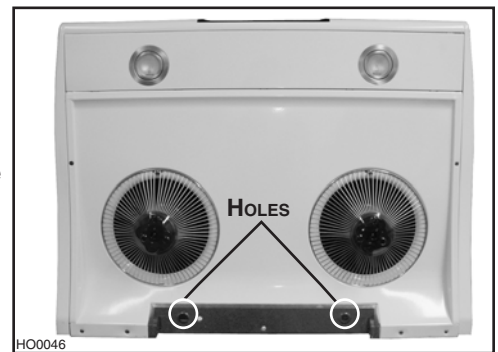
⚠ WARNING

Risk of electrical shock. Electrical wiring must be done by qualified personnel in accordance with all applicable codes and standards. Before connecting wires, switch power off at service panel and lock service disconnecting means to prevent power from being switched on accidentally.

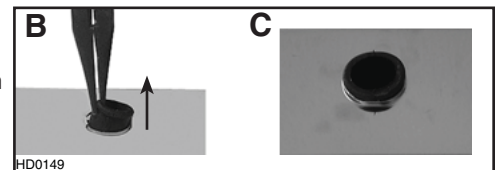
1. Connect cable to range hood wiring using included wire connectors. Connect BLACK to BLACK, WHITE to WHITE and GREEN or BARE wire to GREEN wire.
2. Reinstall wiring box cover using both screws previously removed in step 3.1.



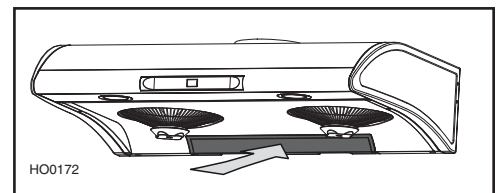
3. Reinstall bottom panel using the 7 screws previously removed in step 3.1. Make sure both grease guides are aligned with the holes.



4. Using long nose pliers, pull out the end of each grease guides (B). Then set them in such a way their flange slightly protrudes above the bottom panel surface (C).



5. Slide the main grease cup back in.



6. LIGHT BULBS

⚠ WARNING

Make sure power is switched off at service panel before carrying out any operation on the hood.

This range hood requires two UL approved halogen bulbs (JC type, 12 V, 20 W, G4-base), included.
To replace bulbs:

CAUTION

Take care not to damage the hood finish while using the screwdriver.

1. Carefully insert the blade of a small flat blade screwdriver between light cover and rim and gently pry out light assembly.

⚠ WARNING

In order to prevent the risk of personal injury, the halogen lamps must cool down before removing them.



2. Remove light cover from light assembly and set aside.



3. Replace bulb with a new JC type, 12 V, 20 W Max, G4 base halogen bulb.

CAUTION

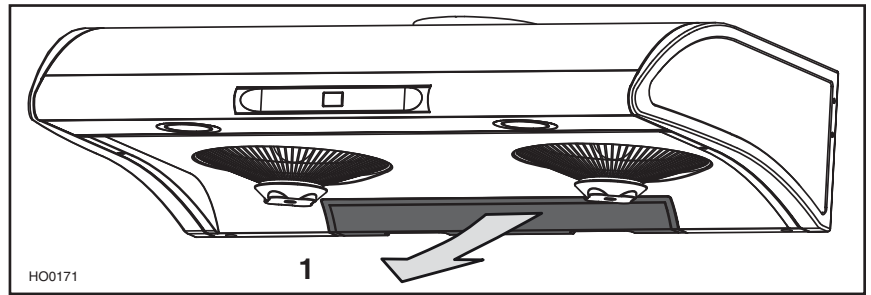
Do not touch replacement bulb with bare hands!

4. To reinstall the light cover, insert the 3 light cover tabs in the light assembly slots and gently push until secured.

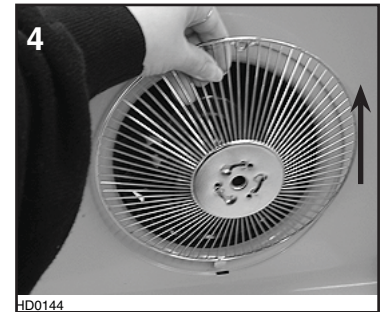
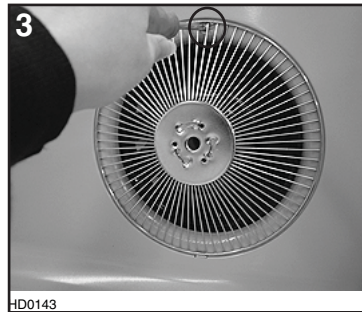
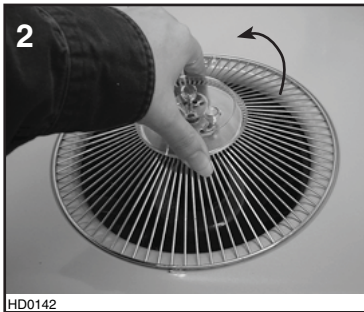


7. CLEANING AND MAINTENANCE

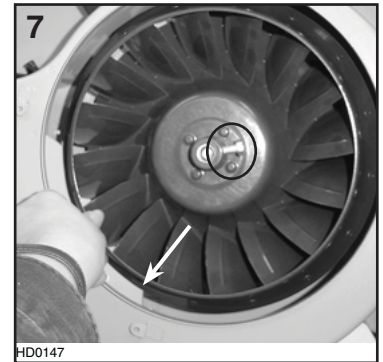
1. Slide out main grease cup.



2. Disengage the small grease guard cups from the metal guards by turning counterclockwise and remove.
3. Remove the screw retaining the metal guards to the hood.
4. Remove the metal guards from the hood. Then remove the bottom panel.

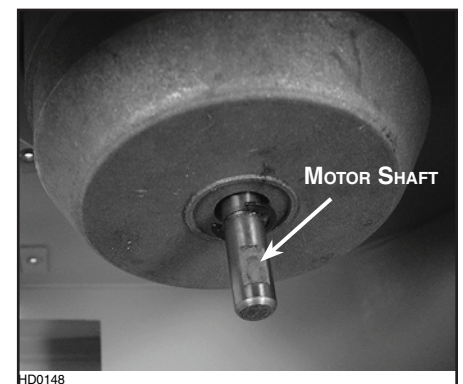


5. Unscrew the clips and remove the wheel grease collector.
6. Remove the wheel center cap.
7. Loosen the wheel set screw in order to disengage the wheel from its motor shaft.



Let soak all removed parts in warm water with soft soap for 30 minutes. Rinse and dry completely before reinstalling.

NOTE: When reinstalling the wheel, align the end of the set screw with the flat part of the motor shaft.



7. CLEANING AND MAINTENANCE (CONT'D)

STAINLESS STEEL CLEANING:

Do:	Don't:
<ul style="list-style-type: none">Regularly wash with clean cloth or rag soaked with warm water and mild soap or liquid dish detergent.Always clean in the direction of original polish lines.Always rinse well with clear water (2 or 3 times) after cleaning. Wipe dry completely.You may also use a specialized household stainless steel cleaner.	<ul style="list-style-type: none">Use any steel or stainless steel wool or any other scrapers to remove stubborn dirt.Use any harsh or abrasive cleansers.Allow dirt to accumulate.Let plaster dust or any other construction residues reach the hood. During construction or renovation, cover the hood to make sure no dust adheres to stainless steel surface.

Avoid when choosing a detergent:

- Any cleaners that contain **bleach** will attack stainless steel.
- Any products containing: **chloride, fluoride, iodide, bromide** will deteriorate surfaces rapidly.
- Any **combustible products** used for cleaning such as **acetone, alcohol, ether, benzol**, etc., are highly explosive and should never be used close to a range.

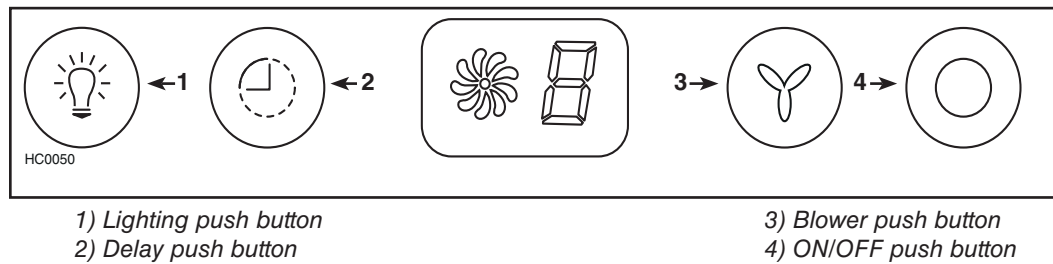
ENAMEL FINISH:

Clean with warm water and mild detergent only. If discoloration occurs, use a good enamel polish such as automotive polish. **DO NOT** use rough abrasive cleaner or porcelain cleaner.

8. OPERATION

Always turn on the hood before beginning cooking in order to establish an air flow in the kitchen. Let the blower run for a few minutes to clear the air after turning off the range.

The hood is operated using the push buttons located on its front panel.



1. LIGHTING: Press the lighting push button (1) once to turn the lights on, press once more to turn them off

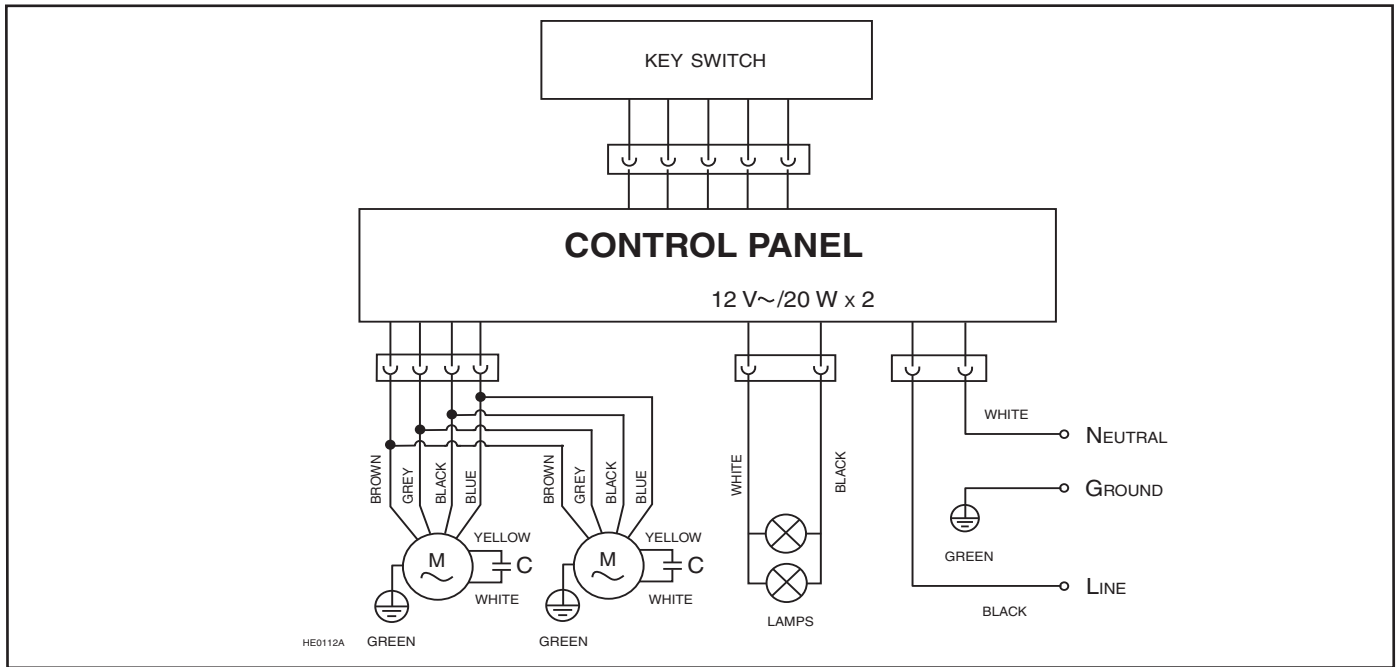
NOTE: When lights are on, press the ON/OFF push button (4) twice to turn them off (the blower will start after the first push, but will stop after the second. If blower and lights are on, press the ON/OFF push button (4) only once to turn lights and blower off.

2. DELAY: To set delay, press the push button (2) when blower is in use. The delay can be set from 1 to 9 minutes. Press the push button (2) to increase time (adds 1 minute per push). Countdown will be displayed on the LCD screen and blower symbol will be activated. Blower will continue to operate for the programmed minutes and then will stop automatically (delay setting mode does not affect lighting as it works independently). To cancel delay function, press any other push button (1, 3 or 4) or follow the loop sequence until it reaches 0. To turn delay function and blower OFF at once, press ON/OFF push button (4).

NOTE: When in use, delay mode will be canceled if blower speed is modified.

3. BLOWER: The blower push button (3) turns the blower on to three speed settings: LOW, MEDIUM or HIGH. Press the blower (3) or ON/OFF (4) push button once to turn the blower on at the last selected speed (blower symbol will be activated). To change the blower speed, press the blower push button (3) until the desired speed is obtained. Press the ON/OFF push button (4) to turn the blower off. The last speed used will be memorized.

9. WIRING DIAGRAM



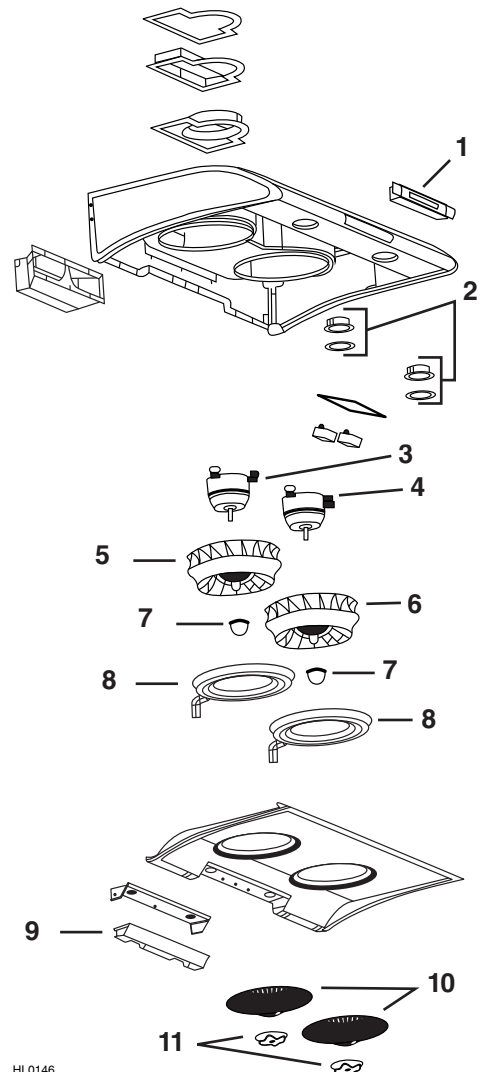
10. SERVICE PARTS

KEY NO.	PART NO.	DESCRIPTION	QTY.
1	30280035	SWITCHBOARD BDF	1
2	30274189	LIGHT ASSEMBLY (BULB INCLUDED)	2
3	30080442	LEFT MOTOR (CCW)	1
4	30080443	RIGHT MOTOR (CW)	1
5	30111040-L	LEFT BLOWER WHEEL	1
6	30111040-R	RIGHT BLOWER WHEEL	1
7	30111050	WHEEL CENTER CAP	2
8	30111171	WHEEL GREASE COLLECTOR	2
9	30111149	MAIN GREASE CUP	1
10	30390602	METAL GUARD	2
11	30111043	GREASE GUARD CUP	2
*	30280036	MAIN CONTROL BOARD	1
*	30042454	INSTALLATION GUIDE	1

* Not shown.

REPLACEMENT PARTS AND REPAIR:

In order to ensure your ventilation unit remains in good working condition, you must use Broan-NuTune Canada genuine replacement parts only. Broan-NuTune Canada genuine replacement parts are specially designed for each unit and are manufactured to comply with all the applicable certification standards and maintain a high standard of safety. Any third party replacement part used may cause serious damage and drastically reduce the performance level of your unit, which will result in premature failing. Broan-NuTune Canada also recommends to contact a Broan-NuTune certified service depot for all replacement parts and repair.



11. WARRANTY

BROAN-NUTONE CANADA ULC *One Year Limited Warranty*

Broan-NuTone Canada warrants to the original purchaser of its products that such products will be free from defects in material and workmanship for a period of one (1) year from the date of original purchase. THERE ARE NO OTHER WARRANTIES, EXPRESSED OR IMPLIED, INCLUDING, BUT NOT LIMITED TO, IMPLIED WARRANTIES OR MERCHANTABILITY OR FITNESS FOR A PARTICULAR PURPOSE.

During this one-year period, Broan-NuTone Canada will, at its option, repair or replace, without charge, any product or part which is found to be defective under normal use and service.

THIS WARRANTY DOES NOT EXTEND TO FLUORESCENT LAMP STARTERS OR TUBES, BULBS OR BATTERIES, FILTERS, DUCT, ROOF CAPS, WALL CAPS AND OTHER ACCESSORIES FOR DUCTING. This warranty does not cover (a) normal maintenance and service or (b) any products or parts which have been subject to misuse, negligence, accident, improper maintenance or repair (other than by Broan-NuTone Canada or an authorized representative), faulty installation or installation contrary to recommended installation instructions.

The duration of any implied warranty is limited to the one-year period as specified for the express warranty.

BROAN-NUTONE CANADA'S OBLIGATION TO REPAIR OR REPLACE, AT BROAN-NUTONE CANADA'S OPTION, SHALL BE THE PURCHASER'S SOLE AND EXCLUSIVE REMEDY UNDER THIS WARRANTY. BROAN-NUTONE CANADA SHALL NOT BE LIABLE FOR INCIDENTAL, CONSEQUENTIAL OR SPECIAL DAMAGES ARISING OUT OF OR IN CONNECTION WITH PRODUCT USE OR PERFORMANCE. This warranty supercedes all prior warranties.

To qualify for warranty service, you must (a) notify Broan-NuTone Canada at the address stated below or telephone number 1-877-896-1119, (b) give the model number and part identification and (c) describe the nature of any defect in the product or part. At the time of requesting warranty service, you must present evidence of the original purchase date.

Date of installation

Builder or Installer

Model No. and Product Description

IF YOU NEED ASSISTANCE OR SERVICE:

For the location of your nearest Broan NuTone Canada ULC dealer

Dial Free 1-877-896-1119

Please be prepared to provide:

Product model number • Date and proof of purchase • The nature of the difficulty

Broan-NuTone Canada ULC
1140 Tristar Drive, Mississauga, Ontario, Canada L5T 1H9

www.broan.ca