



Broan BDF Series BDF 系列

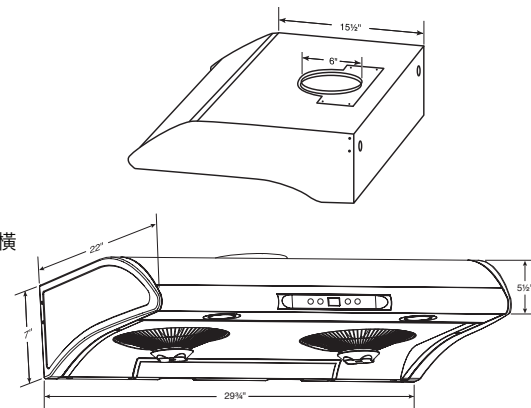
A Range Hood that matches your cooking style.

Real power for the modern chef in you!

- Very powerful 500 CFM twin motor hood.
- Halogen lighting (bulbs included).
- 3-speed control panel that matches your cooking style.
- Electronic control with LED screen and delay-off feature.
- Smooth surfaces and fully enclosed underside make cleaning easy.
- Rounded edges compliments any modern décor.
- Grease capture design includes recess smoked grease pan underneath.
- Grease pan and guard cups remove quickly for cleaning.
- 3-ducting options that makes installation easier: 3 1/4" x 10" (horizontal - vertical) and 6" round (vertical) - Adapters included.

一個滿足你烹調風格的抽油煙機。現代廚師的真正能量!

- 超強勁吸風力達每分鐘 500 立方尺之雙馬達抽油煙機。
- 內附有 40 瓦照明裝置(內含燈泡)
- 3 速控制板適合你不同的烹飪風格。
- 操作簡易的LED開關控制
- 光滑的表面及完整圍繞的底部結構便於清洗。
- 弧形的邊緣設計溶入了當代家居裝飾格調。
- 集油裝置包括集油板和兩個滴油杯。
- 易拆的集油板及滴油杯便於清洗。
- 3 款不同排風口設計便於安裝：3 1/4" X 10" (橫置-垂直)及 6" 圓 (垂直)-內含擋風片。



SPECIFICATIONS 特點

| WIDTH 尺寸 | STAINLESS STEEL 不銹鋼 | WHITE 白色 | VOLTS 電壓 | CFM 最高風量 | SONES 正常運作中之音量 | DUCT 風出口 |
|-------------|---------------------------|-------------|-------------|-------------|-------------------|---|
| 30" | BDF302SS | BDF302WH | 120 | 500 | 4.1 | 3 1/4" x 10" (H.V) or 6" round 3-1/4" x 10" 置橫 -直垂或6"圓 |

OPTION

- ARP6 Air flow reducer (limits the airflow of the hood under 300 CFM)
風量降低器 (限制風量低於每分鐘300立方尺).

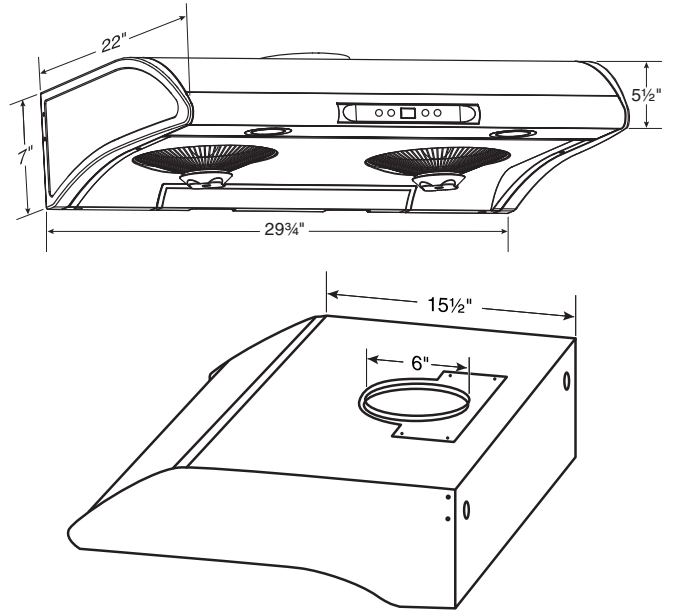


87425B 04/11

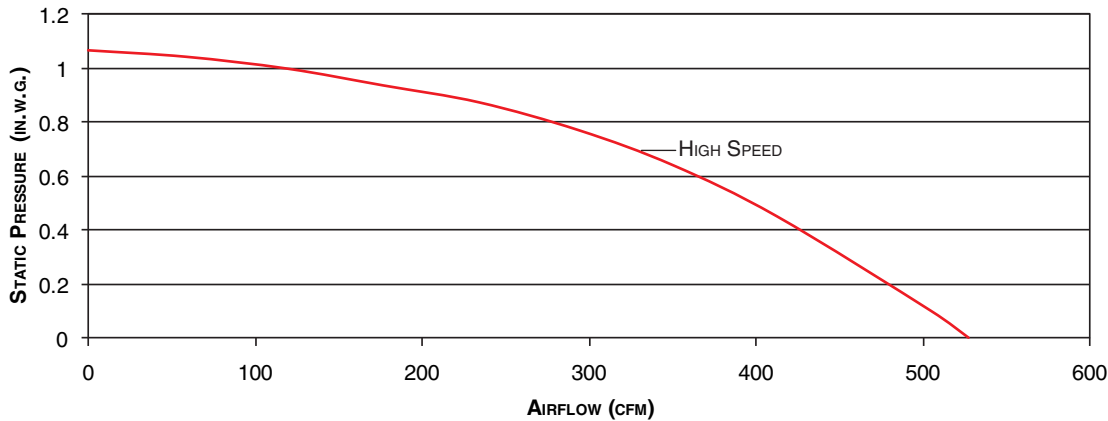
SPECIFICATIONS

| | |
|--------------------------|------------------------------|
| MODEL | BDF SERIES |
| VOLTS | 120 VAC |
| Hz | 60 |
| AMPS | 2.0 |
| CFM (HIGH SPEED) | 500 |
| CFM (LOW SPEED) | 320 |
| SONES (HIGH SPEED) | 9.0 |
| SONES (LOW SPEED) | 4.5 |
| DUCTING SIZE | 6" ROUND OR 3¼" x 10" |
| 2 SHIELDED HALOGEN BULBS | 20 W, 12 V, JC TYPE, G4 BASE |
| WARRANTY | 1 YEAR |

DIMENSIONS



AIR FLOW PERFORMANCE



HVI-2100 CERTIFIED RATINGS comply with new testing technologies and procedures prescribed by the Home Ventilating Institute, for off-the-shelf products, as they are available to consumers. Product performance is rated at 0.1 in. static pressure, based on tests conducted in AMCA's state-of-the-art test laboratory. Sones are a measure of humanly-perceived loudness, based on laboratory measurements.



BROAN-NU-TONE CANADA INC., MISSISSAUGA, ONTARIO WWW.BROAN.CA 1-888-882-7626

| PROJECT | REMARKS |
|--------------|---------|
| LOCATION | |
| MODEL No. | |
| QTY. | |
| SUBMITTED BY | |
| DATE | |