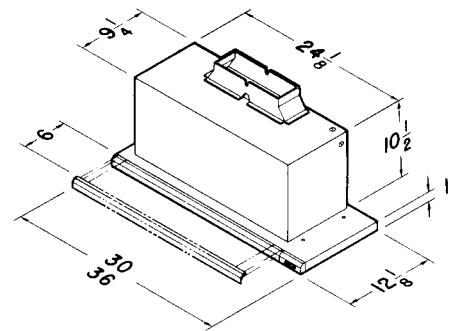




Broan Elite 15000 Series

This slim design merges perfectly with the style of any kitchen. Its unseen advantages include quiet, powerful ventilation performance along with a hood that can be hidden away when not being used.

- Compact, trim styling complements any kitchen
- Fan and light automatically turn on when you slide out the clear glass visor; shut off when pushed in
- Energy-efficient, 24" fluorescent light with prismatic glass lens provides bright, even cooktop lighting (F20T12 bulb not included)
- Infinitely adjustable blower control conveniently located up front; features blower memory – when activated, unit automatically “memorizes” the last setting you selected
- Includes 3¼" x 10" duct adapter with built-in damper



Dimensions shown are in inches.

SPECIFICATIONS

WIDTH	STAINLESS STEEL	WHITE	BLACK	VOLTS	AMPS	CFM	SONES	DUCT
30"	153004N*	153001N	153023N	120	3.7	300	4.5	3¼" x 10"
36"	153604N*	—	—	120	3.7	300	4.5	3¼" x 10"

OPTIONS

99010175 Replacement Foam Filter

* Brushed aluminum material.



87431B/11/10