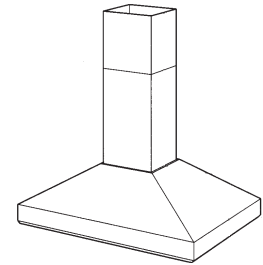


### 637004 RANGE HOOD



The sleek free-hanging design highlights a stylish focal point over any island or peninsula cook top.

#### FEATURES

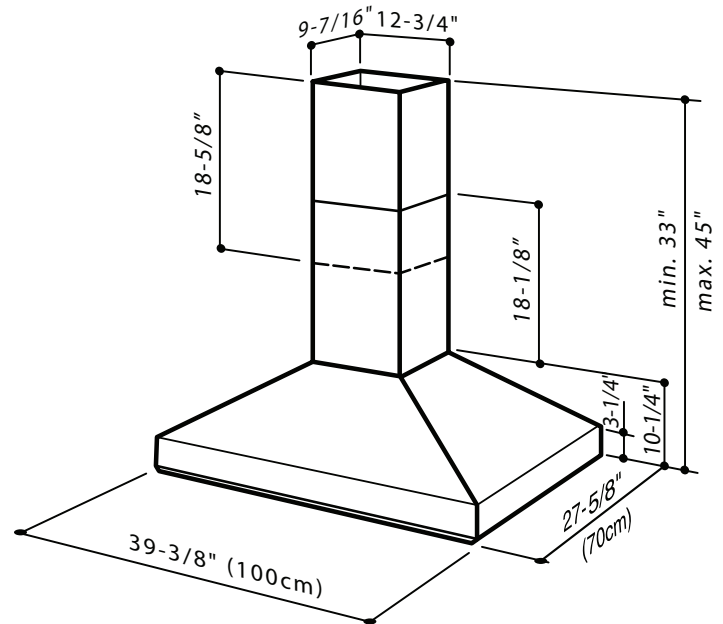
- Italian design
- Island ceiling mount
- Finish: 304 Stainless Steel #4 Brushed
- Size: 70cm x 100cm (27-5/8" x 39-3/8")
- Ducted telescopic flue accommodates 8' to 9' ceilings
- 8" round duct connector/backdraft damper
- Halogen lighting (4 x 20 watt, Type T3, 12V, G4 base)
- Concealed three-speed slide control
- 900 CFM centrifugal blower
- Dishwasher-safe filters feature a quick-release latch and polished stainless steel
- Heat Sentry™ - automatically turns blower to high speed when excess cooking heat is detected
- For indoor use only
- Can be used to comply with California Title 24

#### OPTIONS

- Replacement grease filters available
- Flue extension for 10' ceiling (Model No. RFX6304EX) (31-7/8" Long)
- Exterior blower version (637004EX) available, providing 600, 900, 1200, or 1500 CFM exhaust

#### SPECIFICATIONS

VOLTS	AMPS	CFM	SONES	DUCT
120	6.26	900	9.5	8" round



Mount range hood so bottom of hood is 24" minimum above cooking surface.

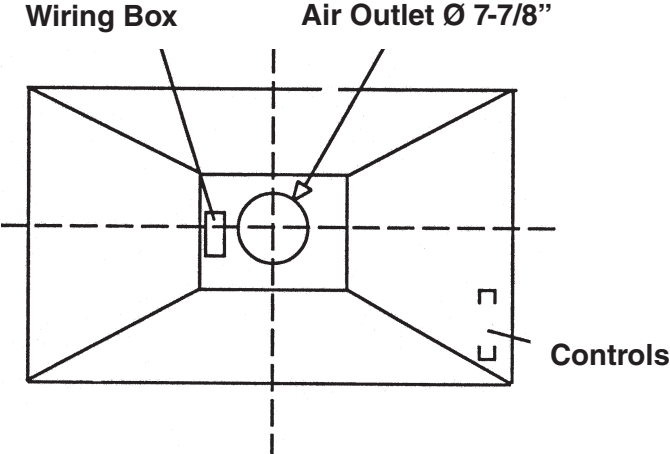


HVI-2100 CERTIFIED RATINGS comply with new testing technologies and procedures prescribed by the Home Ventilating Institute, for off-the-shelf products, as they are available to consumers. Product performance is rated at 0.1 in. static pressure, based on tests conducted in a state-of-the-art test laboratory. Sones are a measure of humanly-perceived loudness, based on laboratory measurements.

Broan-NuTone LLC Hartford, Wisconsin www.broan.com 800-558-1711  
Broan-NuTone Canada Mississauga, Ontario www.broan.ca 877-896-1119

REFERENCE	QTY.	REMARKS	Project
			Location
			Architect
			Engineer
			Contractor
			Submitted by Date

# 637004 WIRING



# 637004 MOUNTING

