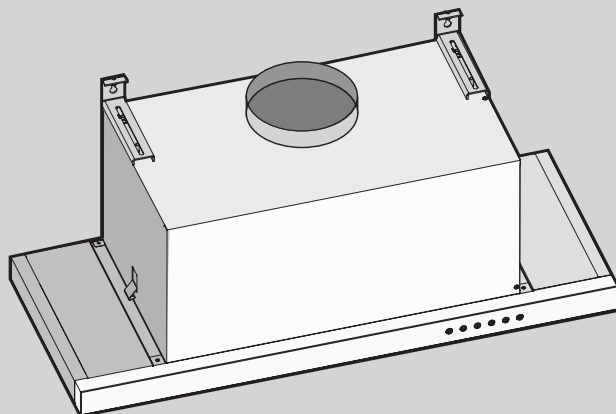


# BROAN® *Elite*

MODELS/ MODÈLES/ MOELOS EBS1244SS • EBS1304SS • EBS1364SS



- Product intended for installation into **FRAMELESS CABINETS ONLY**
- Produit destiné à être installé dans des **ARMOIRES À FOND PLAT SEULEMENT**
- Producto destinado a la instalación en **MUEBLES SIN MARCO SOLO**

**USA** RANGE HOOD - User instructions

**F** HOTTE DE CUISINE - Notice d'utilisation

**E** CAMPANA EXTRACTORA - Manual de utilización

1104471B

# INDEX

• ENGLISH .....	2
• FRANÇAIS .....	27
• ESPAÑOL .....	51

**■ IMPORTANT SAFETY INSTRUCTIONS****■ FOR RESIDENTIAL USE ONLY****■ READ AND SAVE THESE INSTRUCTIONS****■ PLEASE READ ENTIRE INSTRUCTIONS BEFORE PROCEEDING.****■ IMPORTANT:** Save these Instructions for the Local Electrical Inspectors use.**■ INSTALLER:** Please leave these Instructions with this unit for the owner.**■ OWNER:** Please retain these instructions for future reference.**■** Take care when using cleaning agents or detergents.**■** Suitable for use in household cooking area.**■ WARNING** - To reduce the risk of fire or electric shock, do not use this fan with any Solid-State Speed Control Device.**■ CAUTION** - To reduce risk of fire and to properly exhaust air, be sure to duct air outside – Do not vent exhaust air into spaces within walls or ceilings or into attics, crawl spaces, or garages.**■ CAUTION** - For general ventilating use only. Do not use to exhaust hazardous or explosive materials and vapors.**■ CAUTION** - To avoid motor bearing damage and noisy and/or unbalanced impellers, keep drywall spray, construction dust, etc. off power unit.**■ CAUTION** - Please read specification label on product for further information and requirements.**■ WARNING** – TO REDUCE THE RISK OF FIRE, ELECTRIC SHOCK, OR INJURY TO PERSONS, OBSERVE THE FOLLOWING:**A.** Use this unit only in the manner intended by the manufacturer. If you have questions, contact the manufacturer.**B.** Before servicing or cleaning unit, switch power off at service panel and lock the service disconnecting means to prevent power from being switched on accidentally. When the service disconnecting means cannot be locked, securely fasten a prominent warning device, such as a tag, to the service panel.**■ WARNING - TO REDUCE THE RISK OF A RANGE TOP GREASE FIRE:****A.** Never leave surface units unattended at high settings. Boilovers cause smoking and greasy spillovers that may ignite. Heat oils slowly on low or medium settings.**B.** Always turn hood ON when cooking at high heat.

- C. Clean ventilating fans frequently. Grease should not be allowed to accumulate on fan or filter.
- D. Use proper pan size. Always use cookware appropriate for the size of the surface element.
- E. Keep fan, filters and grease laden surface clean.
- F. Use high range setting on range only when necessary. Heat oil slowly on low to medium setting.
- G. Don't leave range unattended when cooking.
- H. Always use cookware and utensils appropriate for the type and amount of food being prepared.

■ **WARNING** – TO REDUCE THE RISK OF INJURY TO PERSONS IN THE EVENT OF A RANGE TOP GREASE FIRE, OBSERVE THE FOLLOWING<sup>a</sup>:

- A. SMOTHER FLAMES with a close-fitting lid, cookie sheet, or metal tray, then turn off the burner. BE CAREFUL TO PREVENT BURNS. If the flames do not go out immediately, EVACUATE AND CALL THE FIRE DEPARTMENT.
- B. NEVER PICK UP A FLAMING PAN – You may be burned.
- C. DO NOT USE WATER, including wet dishcloths or towels – a violent steam explosion will result.
- D. Use an extinguisher ONLY if:
  1. You know you have a Class ABC extinguisher, and you already know how to operate it.
  2. The fire is small and contained in the area where it started.
  3. The fire department is being called.
  4. You can fight the fire with your back to an exit.

<sup>a</sup>Based on "kitchen firesafety tips" published by NFPA

**Proper maintenance of the Range Hood will assure proper performance of the unit.**

■ **INSTALLATION INSTRUCTIONS**

**WARNING** – TO REDUCE THE RISK OF FIRE, ELECTRIC SHOCK, OR INJURY TO PERSONS, OBSERVE THE FOLLOWING:

- A. Installation work and electrical wiring must be done by qualified person(s) in accordance with all applicable codes and standards, including fire-rated construction.
- B. Sufficient air is needed for proper combustion and exhausting of gases through the flue (chimney) of fuel burning equipment to prevent back drafting. Follow the heating equipment manufacturer's guideline and safety standards such as those published by the National Fire Protection Association (NFPA), and the American Society for Heating, Refrigeration and Air Conditioning Engineers (ASHRAE), and the local code authorities.
- C. When cutting or drilling into wall or ceiling, do not damage electrical wiring and other hidden utilities.
- D. Ducted fans must always be vented to the outdoors.
- E. This unit must be grounded.

- **WARNING** - TO REDUCE THE RISK OF FIRE, USE ONLY METAL DUCTWORK.
  
- **WARNING** - UNDER CERTAIN CIRCUMSTANCES DOMESTIC APPLIANCES MAY BE DANGEROUS.
  - A. Do not check filters with hood working.
  - B. Do not touch the lamps after a prolonged use of the appliance.
  - C. No food must be cooked flambè underneath the hood.
  - D. The use of an unprotected flame is dangerous for the filters and could cause fires.
  - E. Watch constantly the fried food in order to avoid the cooking oil flares up.
  - F. Before performing any maintenance operation, disconnect the hood from the electrical service.
  
- The manufacturers will not to accept any responsibility for eventual damages, because of failure to observe the above instructions.

## DUCT FITTINGS:

**This Hood Must Use an 6" Round Duct. It Can Transition to 3-1/4" x 10" or 3-1/4" x 12" Duct.**

Use this chart to compute maximum permissible lengths for duct runs to outdoors.

**NOTE:** *Do not exceed maximum permissible equivalent lengths!*

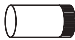



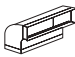









**Maximum duct length: 100 feet for range hoods.**

### Flexible ducting:

If flexible metal ducting is used, all the equivalent feet values in the table should be doubled. The flexible metal duct should be straight and smooth and extended as much as possible.

DO NOT use flexible plastic ducting.

**NOTE:** *Any home ventilation system, such as a ventilation hood, may interrupt the proper flow of combustion air and exhaust required by fireplaces, gas furnaces, gas water heaters and other naturally vented systems. To minimize the chance of interruption of such naturally vented systems, follow the heating equipment manufacturer's guidelines and safety standards such as those published by NFPA.*

Duct Piece:	Dimensions:	Equivalent Number Length*:	Quantity Used:	Total Equivalent Length:
	Round, straight	1 ft. (per foot length)		
	3-1/4" x 10" straight	1 ft. (per foot length)		
	90° elbow	12 ft.		
	45° elbow	7 ft.		
	3-1/4" x 10" 3-1/4" x 12" 90° elbow	14 ft. 10 ft.		
	3-1/4" x 10" 3-1/4" x 12" 45° elbow	8 ft. 6 ft.		
	3-1/4" x 10" 3-1/4" x 12" 90° elbow	33 ft. 24 ft.		
	6" round to rectangular	2 ft.		
	Rectangular to 8" round	2 ft.		
	3-1/4" x 10" 3-1/4" x 12" 6" round to rectangular transition 90° elbow	4 ft. 4 ft.		
	3-1/4" x 10" 3-1/4" x 12" Rectangular to 6" transition 90° elbow	4 ft. 4 ft.		
	Round wall cap with damper	24 ft.		
	3-1/4" x 10" 3-1/4" x 12" Rectangular wall cap with damper	24 ft. 18 ft.		
	Round roof cap	33 ft.		
*Actual length of straight duct plus duct fitting equivalent. Equivalent length of duct pieces reflect requirements for good venting performance with any ventilation hood.			Total Duct Run =	

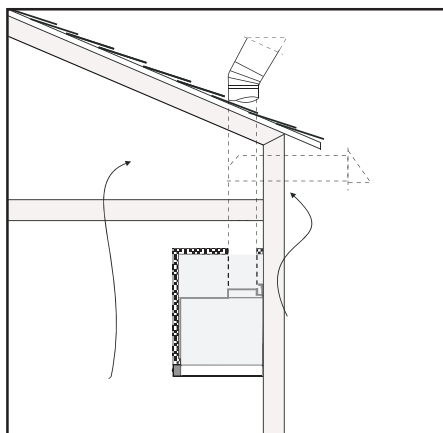
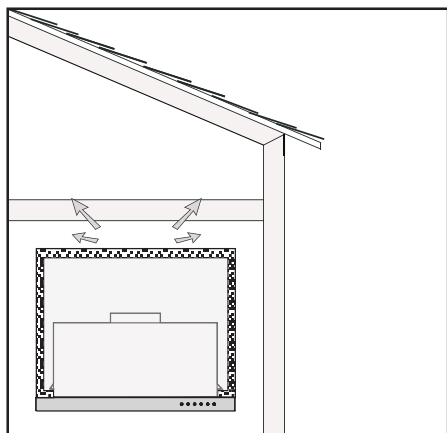
## ■ WARNING FIRE HAZARD

NEVER exhaust air or terminate duct work into spaces between walls, crawl spaces, ceiling, attics or garages.

All exhaust must be ducted to the outside, unless using the recirculating option.

Use single wall flexible or rigid metal ductwork only.

Fasten all connections with sheet metal screws and tape all joints w/ certified silver tape or duct tape.



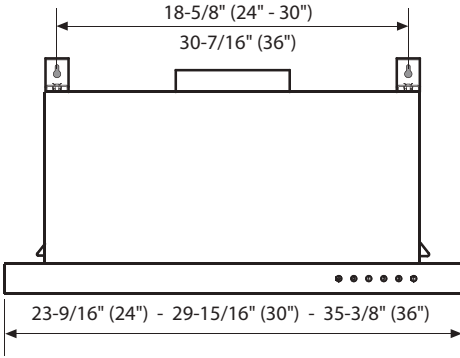
## **INSTALL THE DUCTWORK:**

**NOTE: To reduce the risk of fire, use only metal ductwork.**

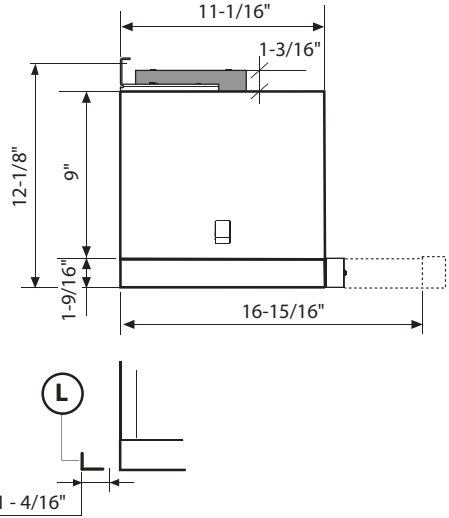
1. Decide where the ductwork will run between the hood and the outside.
2. A straight, short duct run will allow the hood to perform most efficiently.
3. Long duct runs, elbows, and transitions will reduce the performance of the hood. Use as few of them as possible.
4. Install a roof or wall cap. Connect 6" round metal ductwork to cap and work back towards hood location. Use duct tape to seal the joints between ductwork sections.

# PRODUCT DIMENSIONS AND CLEARANCE

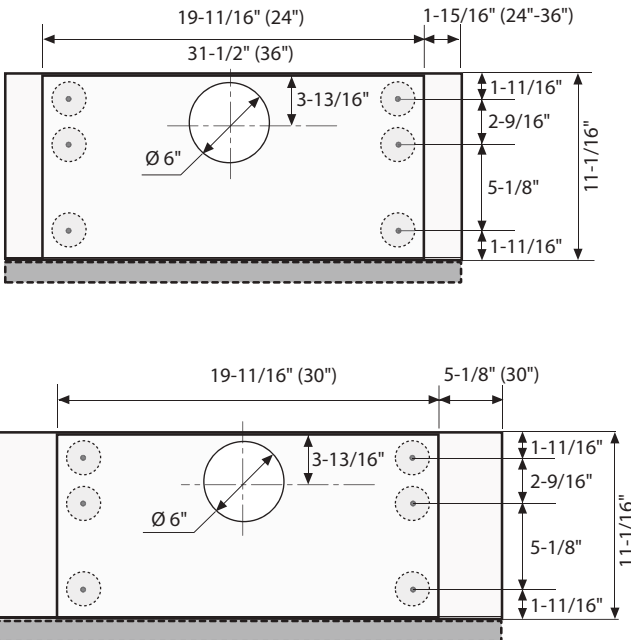
## › Front of hood



## › Side of hood



## › Top of hood



## › Mounting height and clearance:

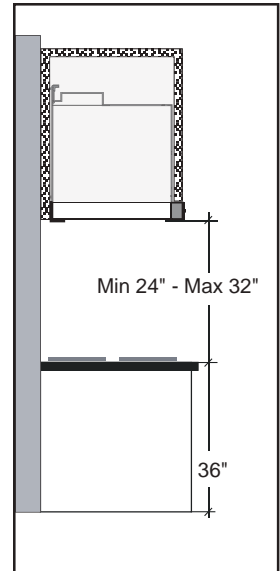


Fig.1



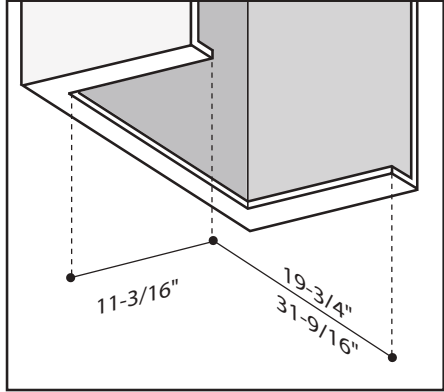
# INSTALLATION INSTRUCTIONS

## INSTALLATION - VENTED TO THE OUTSIDE

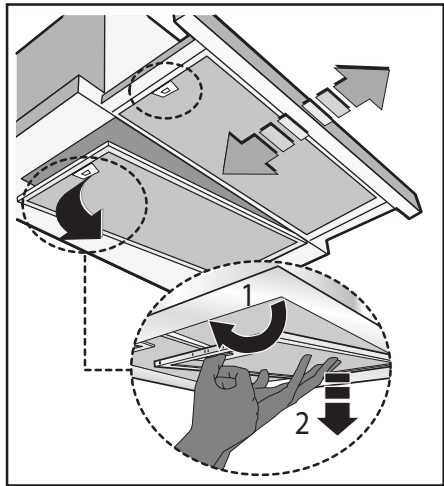
Before proceeding with installation operations, remove the grease filter (Fig.3) in order to make handling the device easier.

This product can be installed in 3 different ways, depending on the model and on your requirements:

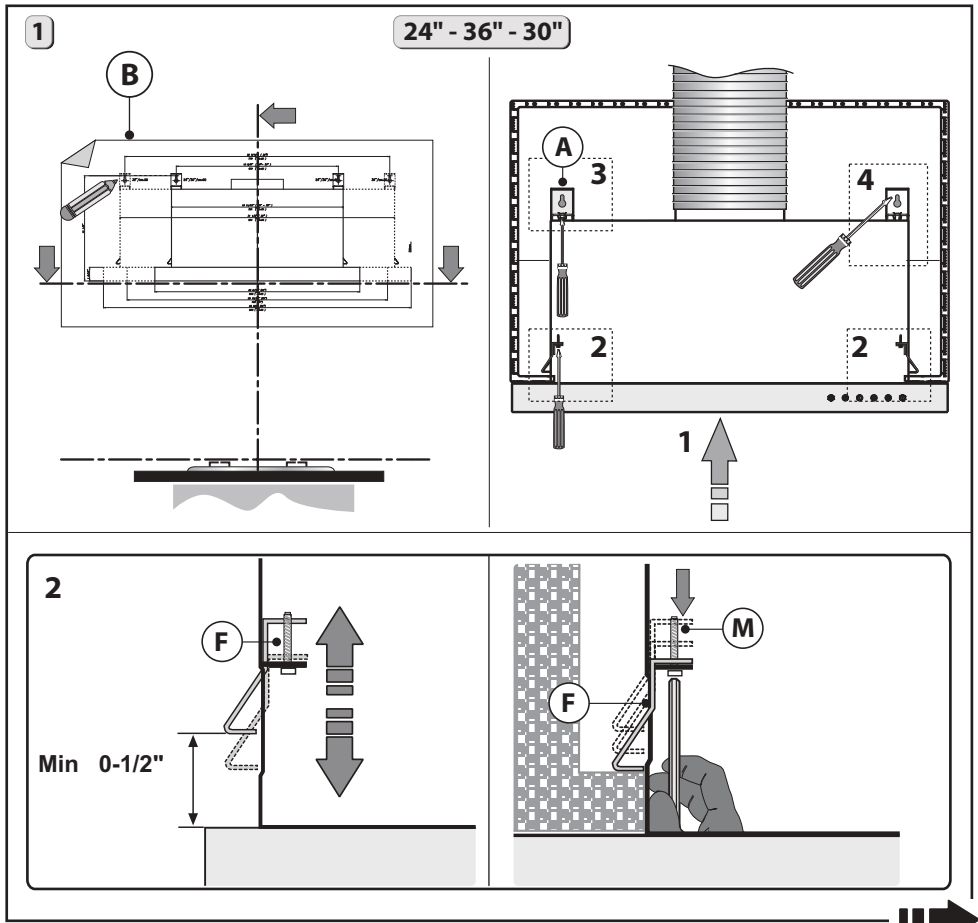
- 1- installation of the hood on the lower part of the wall cabinet.
- 2- installation of the hood on the lower part of the wall cabinet on a divider support.
- 3- Installation of the hood on the lower part of the wall cabinet only for 30".



**Fig.2**



**Fig.3**



**Fig.4**

**1. INSTALLING THE HOOD ON THE BOTTOM SHELF OF THE WALL CABINET :**

1. Remove pin Y from bracket A. (Pin Y can be discarded.) Then place the insert X on the slot of the bracket A, as indicated in Fig. 4 - step 3. Match the C screws with the L washer and attach the A bracket to the cabinet as indicated in Fig. 4 - step 3.1. Do not completely tighten screws C to allow the bracket to slide back and forth.
2. Position template B on the wall cabinet, bearing in mind the measurements indicated in Figs 1 and 2 and the minimum distance from the cooktop.
  - Mark the references to fasten brackets A to the wall cabinet, as indicated in Fig. 4.
3. Make sure the thickness of the wall cabinet is within the parameters indicated in Fig. 4 - step 2.
4. Insert the hood into the wall cabinet, ensuring the 2 side springs F are connected correctly, as the weight of the unit will rest on these springs. Fasten the hood to the wall cabinet using the screwdriver and the relative screws M and tighten until the hood is

firmly against the wall cabinet (Fig. 4 - step 2).

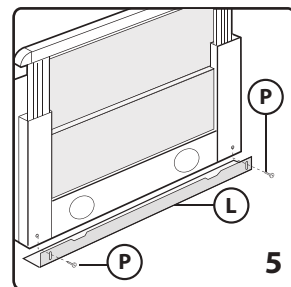
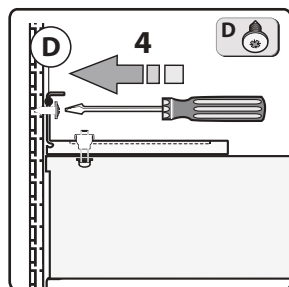
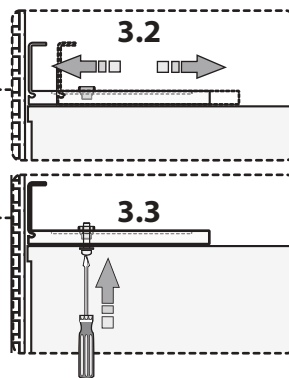
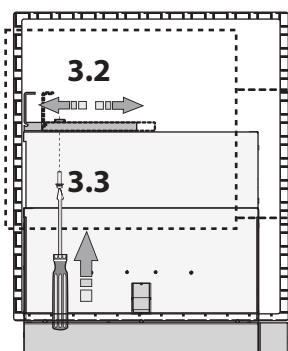
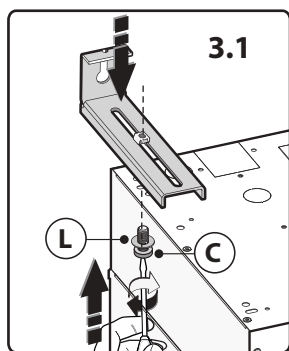
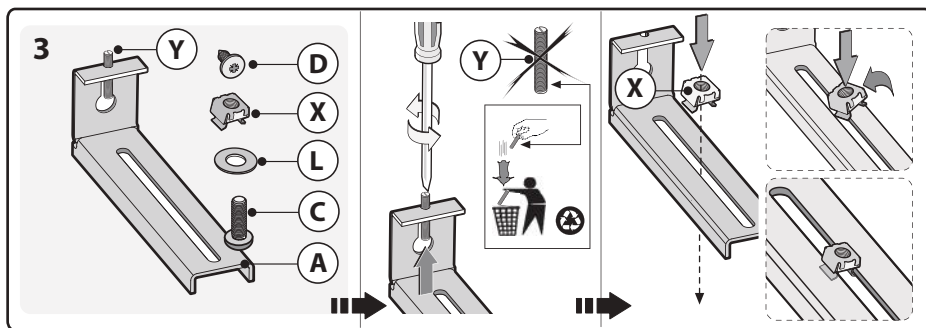
5. Remove pin Y from bracket A. (Pin Y can be discarded.) Then place the insert X on the slot of the bracket A, as indicated in Fig. 4 - step 3.

6. After any adjusting to ensure the bracket touches the wall cabinet, tighten the bracket to the body (Fig. 4 - step 3.3).

- Fasten screw D to the wall cabinet as indicated in Fig. 4 - step 4.

- Once you have fastened the hood to the wall cabinet, adjust the spacer L, with the screws P, to make the device line up with the rear wall cabinet (Fig.. 4 - step 5).

**IMPORTANT - The range hood must be secured to wall studs or use drywall anchors capable of supporting 75 lbs.**



## **2. INSTALLATION OF THE HOOD INTO A WALL CABINET USING A HORIZONTAL DIVIDER FOR SUPPORT.**

Follow the steps below:

1 - Check the measurements indicated in Figs 1 and 2 and the minimum distance from the cooktop, before installing the hood on the support shelf.

2 - Install a support shelf a the width of the cabinet interior at (9" from the bottom) (1/2" thick).

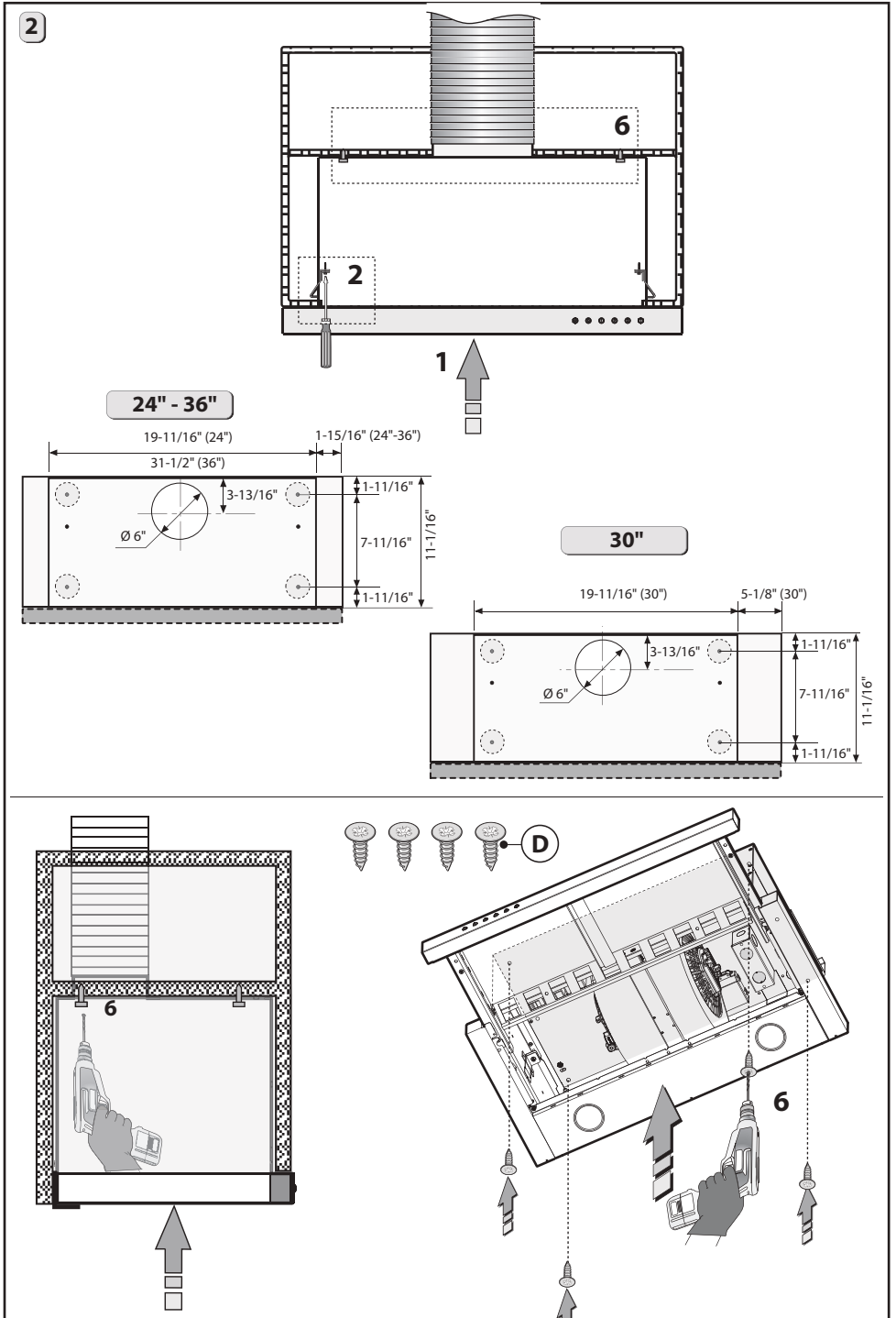
3 - Make sure the thickness of the wall cabinet is within the parameters indicated in Fig.

4 - step 2.

4 - Install the hood in the wall cabinet and make sure the 2 side springs F are connected correctly. Fasten the hood to the wall cabinet using the screwdriver and the relative screws M and tighten until the device is firmly against the wall cabinet (Fig. 4 - step 2).

5 - Fasten the hood to the upper support shelf as indicated in Fig. 5 - step 6. - Once you have fastened the hood to the wall cabinet, adjust the spacer L, with screws P, to fill the gap between the hood and rear wall. (Fig. 4 - step 5).

**IMPORTANT - The range hood must be secured to wall studs or using drywall anchors capable of supporting 75 lbs.**



**Fig.5**

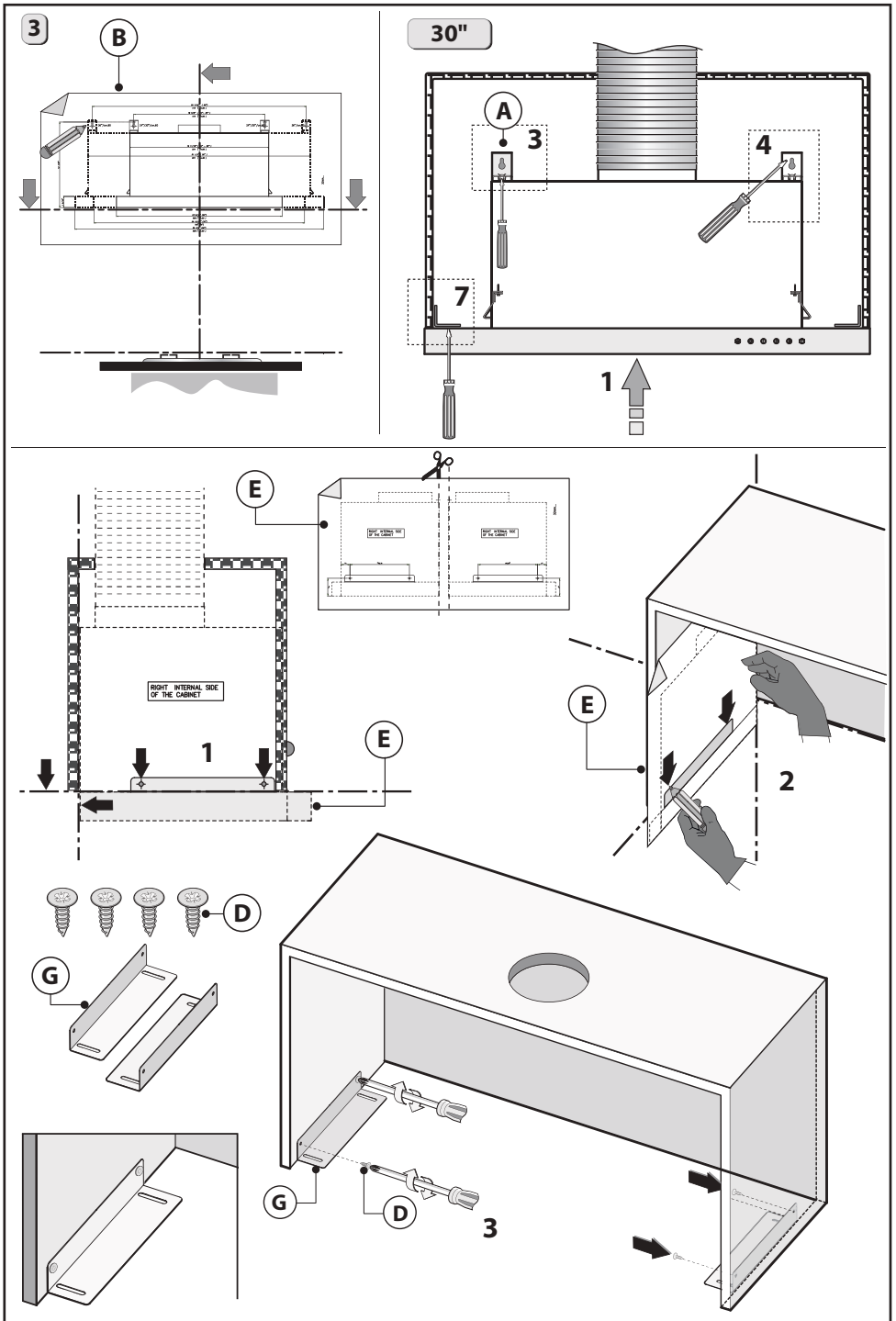
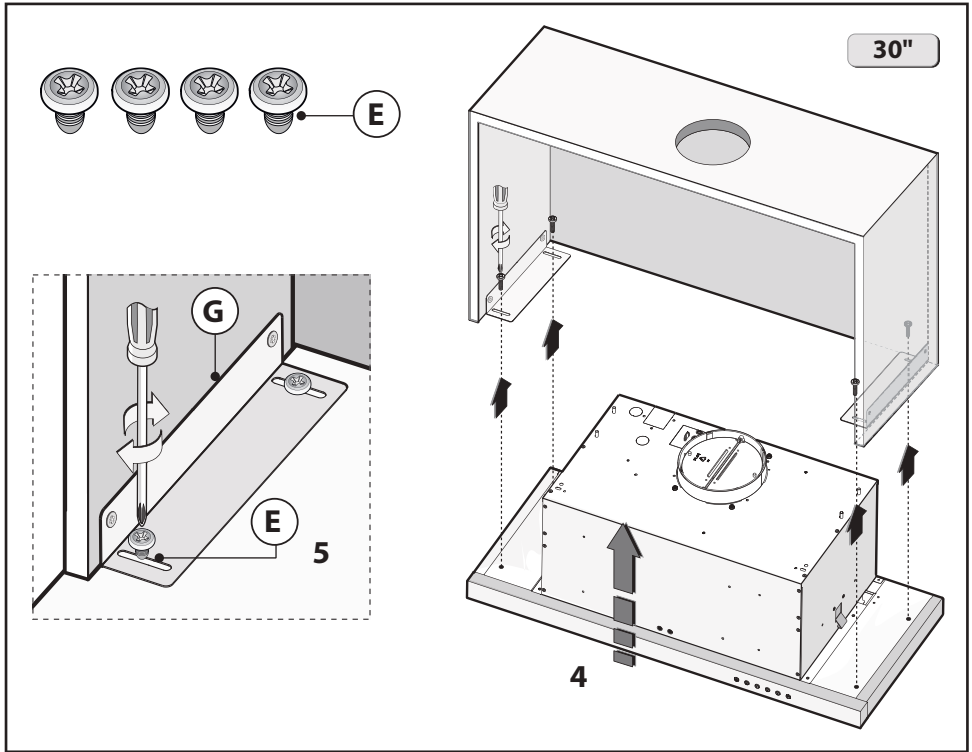


Fig.6



**Fig.6**

**3. 30" HOODS ONLY – INSTALLATION OF THE HOOD ON THE LOWER PART OF THE WALL CABINET USING PROVIDED METAL BRACKETS.**

This model includes side installation to the wall cabinet by using 2 brackets B (Fig. 6 besides steps 3-4, indicated in Fig 4).

1- Position template B on the wall cabinet, bearing in mind the measurements indicated in Fig. 1-2 and the minimum distance from the cooktop.

- Mark the references to fix brackets A to the wall cabinet, as indicated in Fig. 6.

2 - Position the second template E on the side of the wall cabinet and make sure that the line matches up with that traced in Fig. 6 - step 1.

3 - Mark and drill the 4 fixing holes (Fig. 6 - step 2).

- Fasten the 2 brackets G to the wall cabinet using the 4 screws D (Fig. 6 - step 3).

- Fasten the hood to bracket G using the 4 screws E (Fig. 6 - step 4-5).

4- Remove pin Y from bracket A. (Pin can be discarded.) Then place the insert X on the slot of the bracket A, as indicated in Fig. 4 - step 3.

- Match the C screws with the L washer and fix the A bracket to the cabinet as indicated in Fig. 4 - step 3.1. Pay attention not to completely tighten screws C before the bracket firmly reaches the wall cabinet (Fig. 4 - step 3.2). After any adjusting, tighten the bracket to the body (Fig. 4 - step 3.3).

- Fasten screw D to the wall cabinet as indicated in Fig. 4 - step 4.

- Once you have fastened the hood to the wall cabinet, adjust the spacer L, with screws P, to make the device line up the rear wall cabinet (Fig. 4 - step 5).

**IMPORTANT - The range hood must be secured to wall studs or using drywall anchors capable of supporting 75 lbs.**



## POWER SUPPLY:

**IMPORTANT – (Please read carefully)**

### **WARNING:**

FOR PERSONAL SAFETY, THIS APPLIANCE MUST BE PROPERLY GROUNDED.


Shut down power at the service panel before beginning installation. Do not use an extension cord or adapter plug with this appliance. Follow National electrical codes or prevailing local codes and ordinances.

### **Electrical supply:**

These vent hoods must be supplied with 120V, 60Hz, and connected to an individual, properly grounded branch circuit, and protected by a 15 or 20 amp circuit breaker or time delay fuse.

- Wiring must be 2 wire with ground.
- If the electrical supply does not meet the above requirements, call a licensed electrician before proceeding.
- Route house wiring as close to the installation location as possible, in the ceiling or back wall. Refer to Wiring Locations on page 18.
- Connect the hood wiring to the house wiring in accordance with local codes.

**Grounding Instructions:** The ground conductor must be connected to a fixed, grounded wiring system, or to a ground terminal or conductor on the hood.

 **WARNING:** The improper connection of the equipment-grounding conductor can result in a risk of electric shock. Check with a qualified electrician or service representative if you are in doubt whether the appliance is properly grounded.

## 2. CONNECT ELECTRICAL:

### • Power Supply Connection:

For connection to the power supply refer to **Fig.7**:

**BLACK** = L line

**WHITE** = N neutral

**GREEN/YELLOW** = G ground

- A double-pole switch properly rated must be installed to provide the range hood power supply disconnection.

- Connect the electrical conduit to the Field Wiring Compartment using listed conduit fittings.

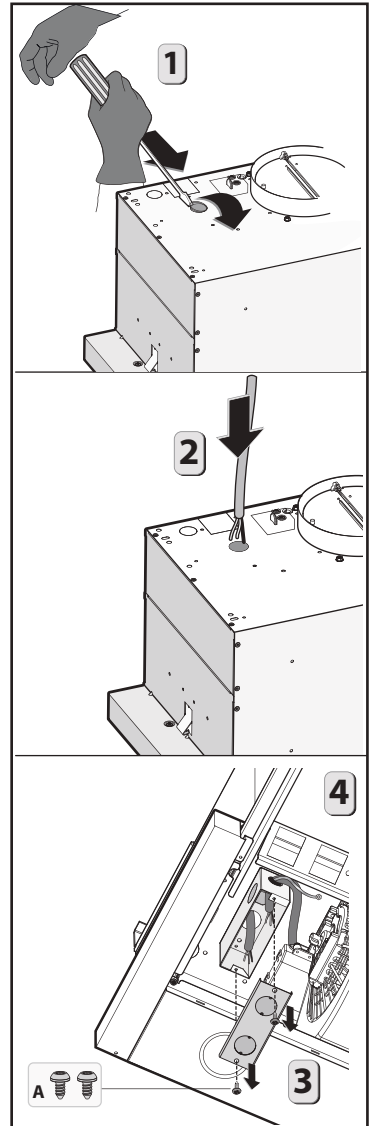
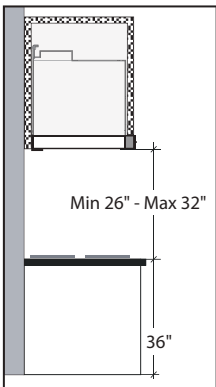
- Carry out the power supply connection in accordance with the national electric code, ANSI/NFPA 70-1999.

5. Insert the wires into the box, then close the box cover, securing it using the screws that were previously removed.

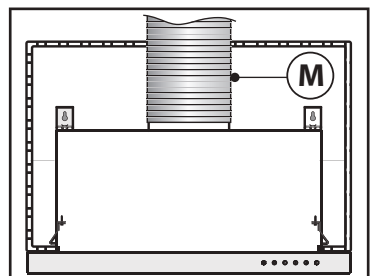
The appliance should be installed at a minimum height of 26" up to a maximum height of 32" for optimal performance. If a connection ductwork composed of two parts is used, the upper part must be placed outside the lower part. Do not connect the range hood exhaust duct air to the same duct air used to exhaust hot air or fumes from other appliances other than electrical.

• In the **FILTERING** version it is necessary to apply a metal air exhaust tube **M** (**Fig.8**), with a minimum length of 15", connected to the flange of the collector. It must be positioned vertically and fastened to a specific opening made on the top part of the cabinet.

## 3. CONNECT THE DUCTWORK:



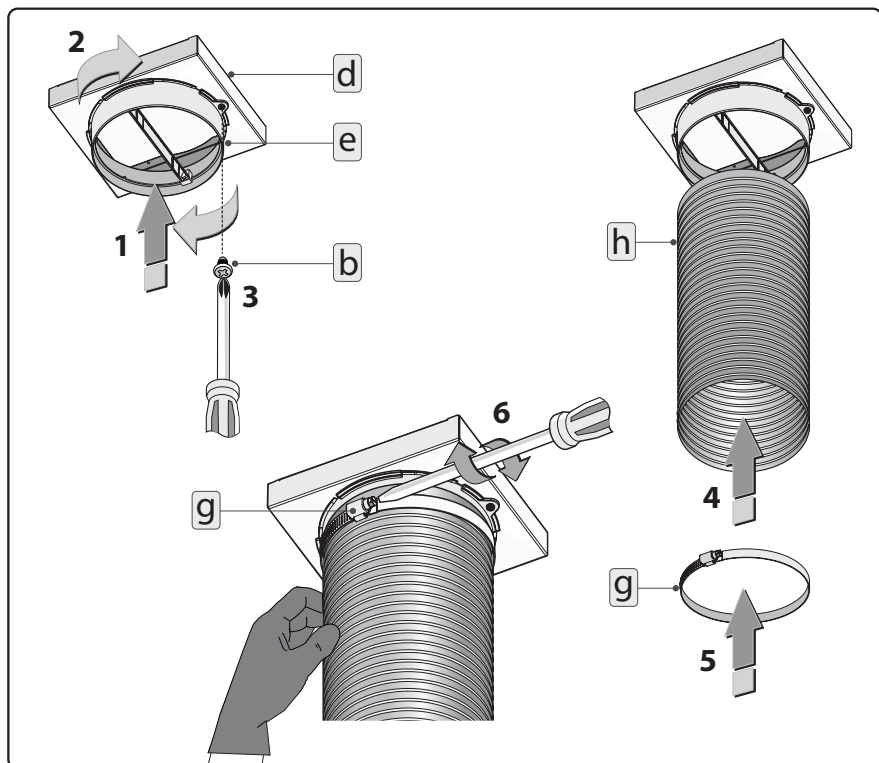
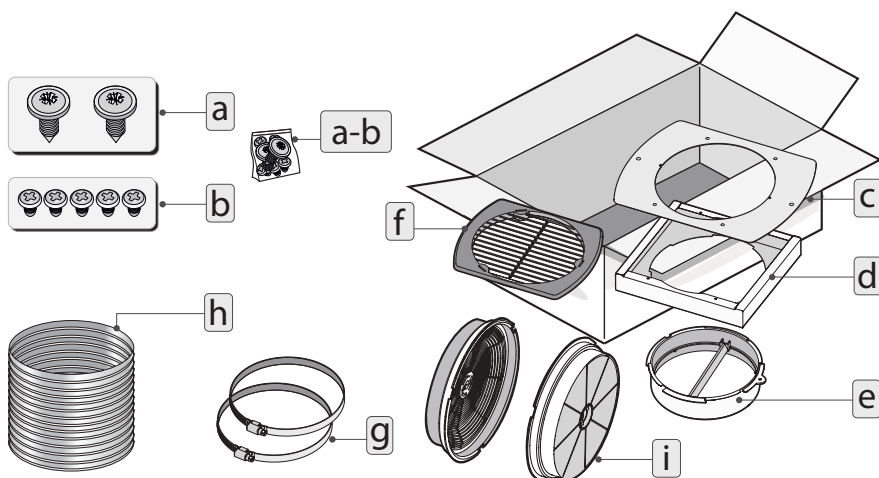
**Fig.7**

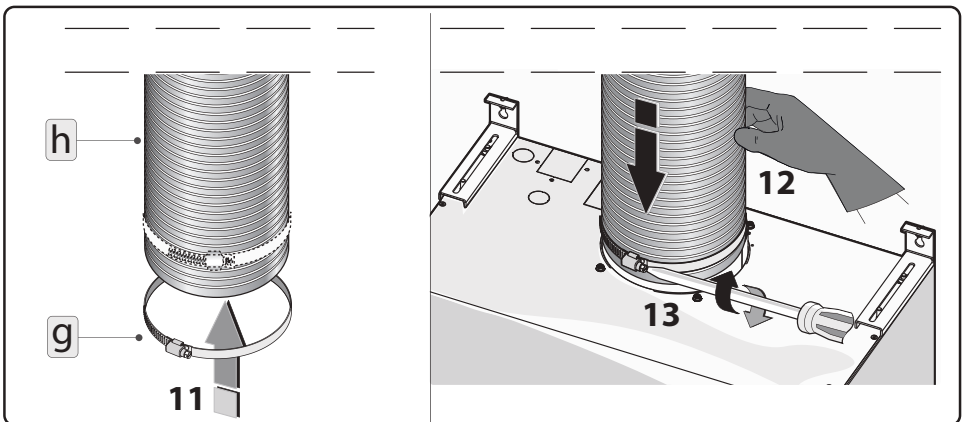
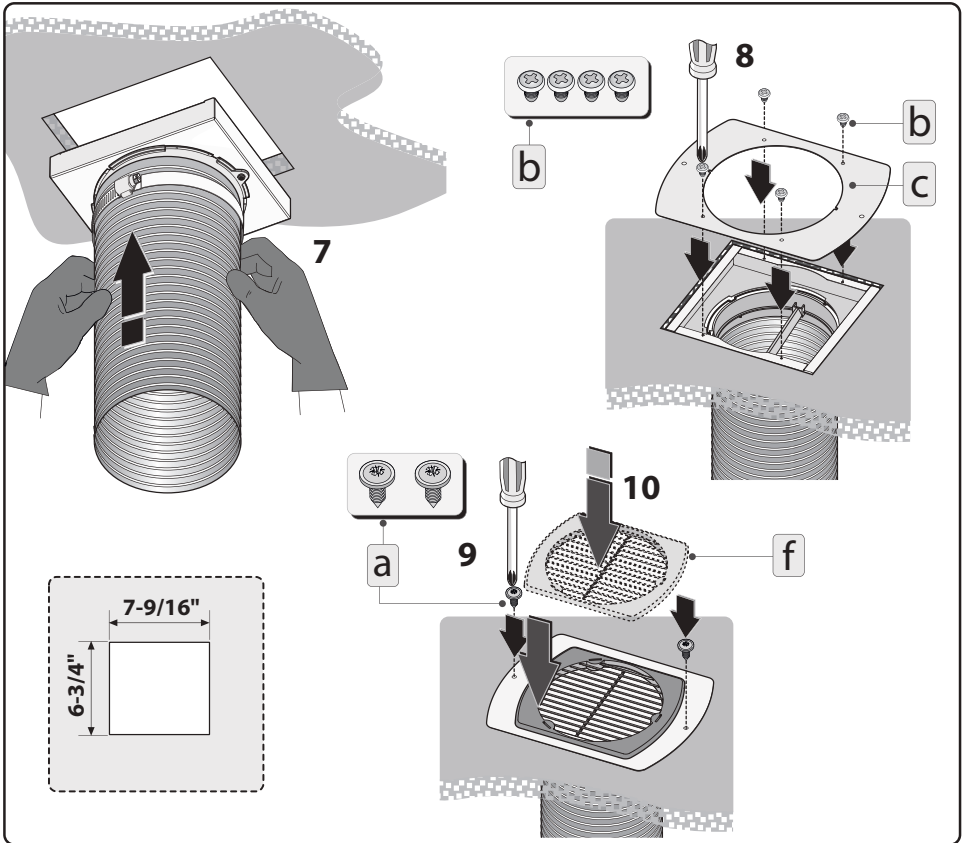


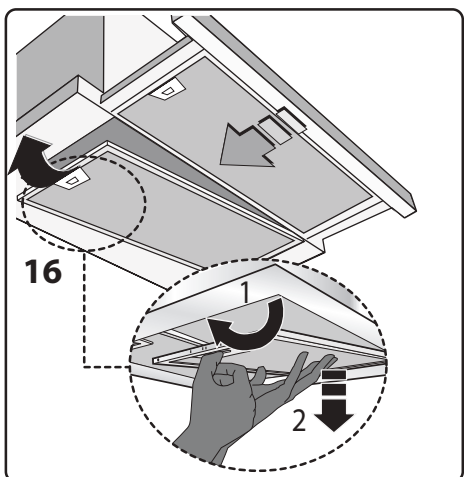
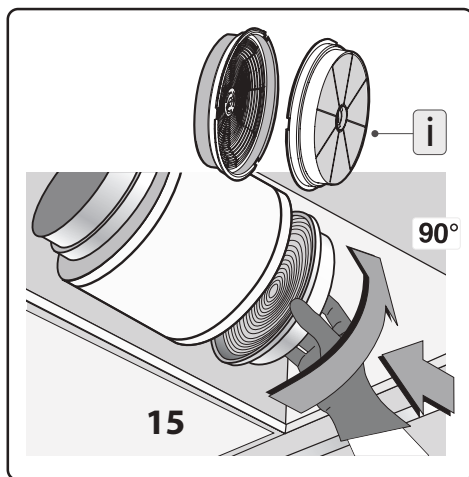
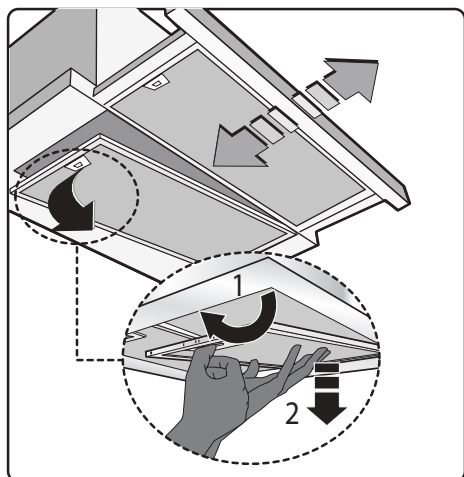
**Fig.8**

## DUCTLESS RECIRCULATING OPTION:

**CARBON FILTER KIT:** follow the indications described in the additional sheet to install the kit.







## ■ USE

• The apparatus is equipped with the following lighted controls:

A = LIGHT

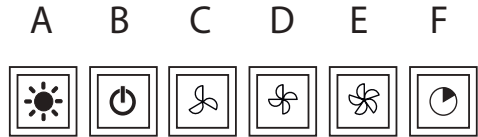
B = OFF

C = SPEED I

D = SPEED II

E = SPEED III

F = AUTOMATIC STOP TIMER - 15 minutes (\*)



(\*) The “**automatic stop timer**” delays stopping of the hood, which will continue functioning for 15 minutes at the operating speed set at the time this function is activated.

### • **Active carbon/grease filter saturation:**

- When button A flashes at a frequency of 2 seconds, the grease filters must be cleaned.
  - When button A flashes at a frequency of 0.5 seconds, the carbon filters must be replaced.
- After the clean filter has been replaced, the electronic memory must be reset by pressing button A for approximately 5 seconds, until the light on the button stops flashing.

## ■ MAINTENANCE

- We recommend that the cooker hood is switched on before any food is cooked. We also recommend that the appliance is left running for 15 minutes after the food is cooked, in order to thoroughly eliminate all contaminated air. The effective performance of the cooker hood depends on constant maintenance; the grease filter and the active carbon filter both require special attention.

- **The grease filter** is used to trap any grease particles suspended in the air, therefore is subject to saturation (the time it takes for the filter to become saturated depends on the way in which the appliance is used). The **grease filters** should be cleaned frequently. Use a warm detergent solution. Grease filters are a dishwasher safe.

- To prevent potential fire hazards, the grease filters should be washed a minimum of every 2 months (it is possible to use the dishwasher for this task).

- After a few washes, the colour of the filters may change. This does not mean they have to be replaced. If the replacement and washing instructions are not followed, the grease filters may present a fire hazard.

- **The active carbon filters** are used to purify the air which is released back into the room. The filters are not washable or re-usable and must be replaced at least once every four months. The active carbon filter saturation level depends on the frequency with which the appliance is used, the type of cooking performed and the regularity with which the grease filters are cleaned.

- Clean the cooker hood frequently, both inside and outside, using a cloth which has been dampened with denatured alcohol or neutral, **non**-abrasive liquid detergents.

- The light on the cooker hood is designed for use during cooking and not for general room illumination. Extended use of the light reduces the average duration of the bulb.

### **Hood Cleaning:**

Stainless steel is one of the easiest materials to keep clean. Occasional care will help preserve its fine appearance.

Cleaning tips:

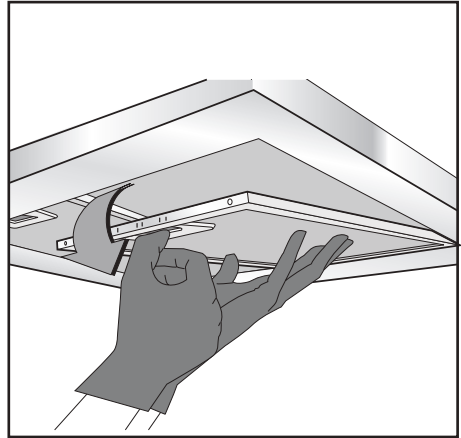
- Hot water with soap or detergent is all that is usually needed.

- Follow all cleaning by rinsing with clear water. Wipe dry with a clean, soft cloth to avoid water marks.

- For discolorations or deposit that persist, use a non-scratching household cleanser or stainless steel polishing powder with a little water and a soft cloth.

- For stubborn cases, use a plastic scouring pad or soft bristle brush together with cleanser and water. Rub lightly in direction of polishing lines or "grain" of the stainless finish. Avoid using too much pressure which may mar the surface.

- **DO NOT** allow deposit to remain for long periods of time.



**Fig.9**

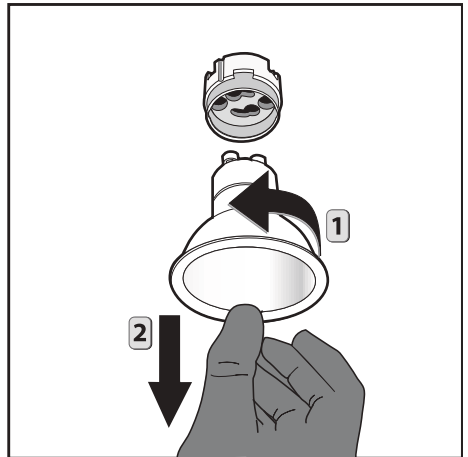
- **DO NOT** use ordinary steel wool or steel brushes. Small bits of steel may adhere to the surface causing rust.
  - **DO NOT** allow salt solutions, disinfectants, bleaches, or cleaning compounds to remain in contact with stainless steel for extended periods. Many of these compounds contain chemicals that may be harmful. Rinse with water after exposure and wipe dry with a clean cloth.
- Painted surfaces should be cleaned with warm water and mild detergent only.

- **Replacing the aluminum panels:**

To replace the aluminium panels, simply pull handles shown in **Fig.9**.

- **Replacing bulbs:**

To replace the bulbs, rotate the lamp anticlockwise as shown in Fig..  
Replace the bulbs with new ones of the same type. (LED LAMP 5W GU10)

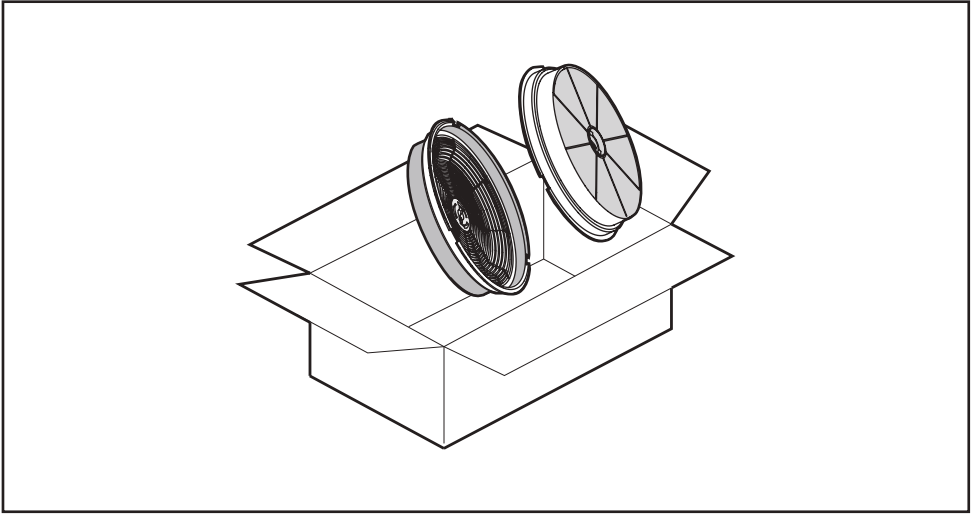




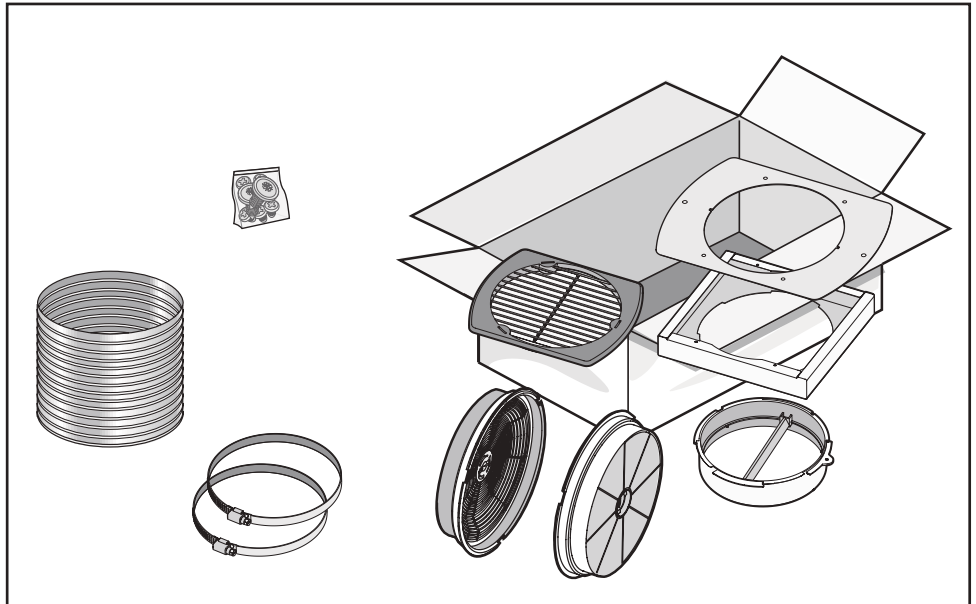
## OPTIONS AND ACCESSORIES:

---

Ductless Recirculating Filter Kit.



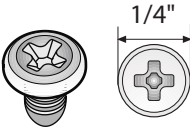
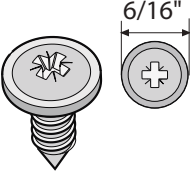
Ductless Recirculating Filter Kit.

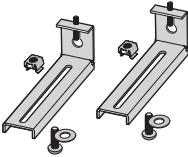
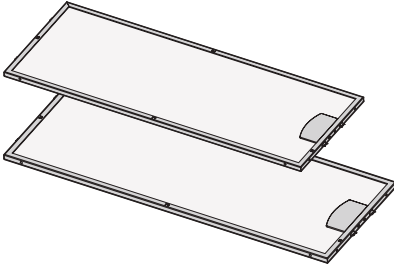



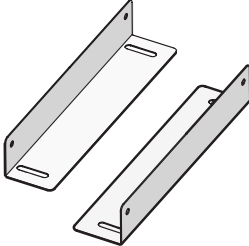
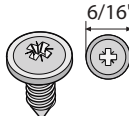
# INSTALLATION PREPARATION:

## Check installation hardware:

Locate the hardware package packed with the hood and check contents.

TYPE		DESCRIPTION	N°
A	 <p>1/4"</p>	1/8" x 1/4"	3
B	 <p>6/16"</p>	3/16" x 9/16"	4

Adjusting brackets	Aluminum filter
	

Supply of side fixing brackets on wall cabinet only for 30"	
<p>1/8" x 1/4" N°4</p>  <p>1/4"</p>	 <p>Side fixing brackets on wall cabinet no. 2.</p>
<p>3/16" x 9/16" N°4</p>  <p>6/16"</p>	

- **INSTRUCTIONS DE SECURITE IMPORTANTES**
- **POUR UN USAGE DOMESTIQUE EXCLUSIVEMENT**
- **LIRE ET CONSERVER LES INSTRUCTIONS**
- **COMMENCER PAR LIRE ENTIEREMENT LES INSTRUCTIONS.**
- **IMPORTANT:** Conserver les Instructions à l'usage des Inspecteurs Electriques Locaux.
- **A L'ATTENTION DE L'INSTALLATEUR:** Laisser les Instructions avec l'unité à l'usage du propriétaire.
- **A L'ATTENTION DU PROPRIETAIRE:** Conserver les Instructions pour consultation ultérieure.
- N'utiliser des produits de nettoyage ou des détergents qu'avec la plus grande prudence.
- Cet appareil est propre à une utilisation domestique et culinaire.
- **AVERTISSEMENT** – Afin de réduire les risques d'incendie ou d'électrocution, ne pas utiliser le moteur avec un Dispositif de Contrôle de la Vitesse à Semi-conducteurs quel qu'il soit.
- **ATTENTION** – Afin de réduire les risques d'incendie et de permettre une aspiration correcte de l'air, s'assurer que ce dernier est bien transporté à l'extérieur à travers un conduit d'évacuation. – Ne pas évacuer l'air dans des interstices tels qu'entre des cloisons ou des plafonds, dans des greniers, des espaces confinés ou des garages.
- **ATTENTION** – N'utiliser que pour une ventilation générale. Cet appareil n'est pas propre à l'aspiration de matières ou de vapeurs dangereuses ou explosives.
- **ATTENTION** – Afin d'éviter des bruits et des dommages aux roulements du moteur, et/ou un déséquilibre au niveau des hélices, veiller à ce que l'unité d'alimentation n'entre pas en contact avec de la poussière de gypse ou autre résidu de construction, etc.
- **ATTENTION** – Pour obtenir des compléments d'informations, consulter l'étiquette de spécification sur le produit.
- **AVERTISSEMENT** – AFIN DE RÉDUIRE LES RISQUES D'INCENDIE, D'ÉLECTROCUTION OU DE DOMMAGES AUX PERSONNES, RESPECTER LES REGLES SUIVANTES :
  - A. N'utiliser l'unité que pour l'usage prévu par le fabricant. Pour toute question éventuelle, contacter le fabricant.

- B.** Avant d'effectuer des opérations d'entretien ou de nettoyage sur l'unité, couper l'alimentation électrique en verrouillant le panneau de distribution afin d'éviter sa remise en marche accidentelle.

Si le panneau de distribution ne peut être verrouillé, y fixer un avertissement en évidence, telle qu'une étiquette de couleur vive.

**■ AVERTISSEMENT – AFIN DE RÉDUIRE LES RISQUES D'INCENDIE PAR INFLAMMATION DES GRAISSES PRÉSENTES SUR LA CUISINIÈRE :**

- A.** Ne jamais laisser de casseroles sur feu vif sans surveillance. D'éventuels débordements dus à une forte ébullition peuvent provoquer de la fumée et des dépôts de graisses susceptibles de prendre feu. Réchauffer l'huile lentement, à faible ou moyenne température.
- B.** ALLUMER systématiquement la hotte pour cuisiner à des températures élevées.
- C.** Nettoyer souvent le moteur. Éviter que les graisses ne s'accumulent sur le moteur ou sur le filtre.
- D.** Utiliser des plats aux dimensions adaptées. Toujours utiliser des ustensiles de cuisine adaptés à la taille de la casserole qui se trouve sur la cuisinière.
- E.** Veiller à ce que le moteur, les filtres et la surface où viennent s'accumuler les graisses restent propres.
- F.** N'utiliser une flamme élevée que lorsque cela est nécessaire. Réchauffer l'huile lentement, à faible ou moyenne température.
- G.** Ne jamais laisser la cuisinière sans surveillance pendant la cuisson.
- H.** Utiliser systématiquement des ustensiles de cuisine adaptés au type et à la quantité d'aliments que l'on prépare.

**■ AVERTISSEMENT – AFIN DE RÉDUIRE LES RISQUES DE DOMMAGES AUX PERSONNES EN CAS D'INCENDIE PAR INFLAMMATION DES GRAISSES PRÉSENTES SUR LA CUISINIÈRE, RESPECTER LES RÈGLES SUIVANTES:**

- A.** ETOUFFER LA FLAMME à l'aide d'un couvercle hermétique, une plaque à four ou un plateau en métal et éteindre le brûleur. PROCÉDER AVEC LA PLUS GRANDE PRUDENCE AFIN D'ÉVITER TOUTE BRÛLURE. Si les flammes ne s'éteignent pas immédiatement, ÉVACUER LA PIÈCE ET APPELER LES POMPIERS.
- B.** NE JAMAIS TOUCHER UN PLAT EN FEU – on risque de se brûler.
- C.** NE PAS UTILISER D'EAU, ni de chiffons ou de serviettes humides – cela pourrait provoquer une violente explosion de vapeur.
- D.** Utiliser un extincteur UNIQUEMENT dans les cas suivants :
- 1.** On dispose d'un extincteur de Classe ABC que l'on sait faire fonctionner.
  - 2.** L'incendie est peu important et il est confiné à la zone où il a éclaté.
  - 3.** On a déjà appelé les pompiers.
  - 4.** On peut affronter les flammes tout en ayant une issue de secours derrière soi.

Basé sur les « mesures de sécurité incendie dans la cuisine » publiées par l'organisme NFPA.

## **Un bon entretien de la hotte garantit le bon fonctionnement de l'unité.**

### **■ INSTRUCTIONS D'INSTALLATION**

**AVERTISSEMENT** – AFIN DE RÉDUIRE LES RISQUES D'INCENDIE, D'ÉLECTROCUTION OU DE DOMMAGES AUX PERSONNES, RESPECTER LES REGLES SUIVANTES :

- A.** Les opérations d'installation et de branchement électrique doivent être effectuées par du personnel qualifié, conformément aux lois et aux normes en vigueur, y compris celles concernant la protection contre les incendies.
- B.** Une quantité d'air adéquate est requise afin d'assurer une bonne combustion et l'évacuation des gaz par la cheminée dans le cas des équipements alimentés au gaz, afin d'éviter un retour d'air. Suivre les indications du fabricant de l'installation de chauffage et les normes de sécurité correspondantes telles que celles émises par l'Association Nationale de Protection contre les Incendies (National Fire Protection Association - NFPA), la Société Américaine des Techniciens de Chauffage, Réfrigération et Climatation de l'Air (American Society for Heating, Refrigeration and Air Conditioning Engineers - ASHRAE), et par les autorités locales.
- C.** Au cours des opérations de découpage ou de perforation du mur ou du plafond, veiller à ne pas endommager les câbles électriques ou d'autres canalisations cachées.
- D.** L'appareil doit toujours être relié à un conduit d'évacuation vers l'extérieur.
- E.** L'unité doit être mise à la terre.

**■ AVERTISSEMENT** – AFIN DE RÉDUIRE LES RISQUES D'INCENDIE, N'UTILISER QUE DES CONDUITS METALLIQUES

**■ AVERTISSEMENT** – LES APPAREILS ELECTROMENAGERS PEUVENT PARFOIS S'AVERER DANGEREUX.

- A.** Ne pas retirer ou manipuler les filtres lorsque la hotte est en marche.
  - B.** Ne pas toucher les lampes après une utilisation prolongée.
  - C.** Ne jamais faire flamber d'aliments sous la hotte.
  - D.** L'usage de flammes libres est dangereux pour les filtres et peut générer des incendies.
  - E.** Surveiller constamment les fritures pour éviter que des éclaboussures d'huile ne prennent feu.
  - F.** Avant d'effectuer toute opération d'entretien, débrancher la hotte du réseau d'alimentation électrique.
- Le fabricant ne pourra être tenu responsable d'éventuels dommages causés par le non respect des instructions susmentionnées.

## RACCORDS DE CANALISATION:

**Cette hotte doit un conduit rond de 6". Il peut.Transition vers 3-1/4" x.Conduit de 10" ou 3-1/4" x 12.**

Reportez-vous au tableau pour calculer les longueurs maximales autorisées pour les conduits vers l'extérieur.

**REMARQUE:** *Ne dépassez pas les longueurs maximales autorisées!*


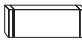


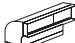









**Longueur maximale de conduit: 30 m (100 pi) pour les hottes de cuisinière.**

### Conduit flexible:

En cas d'utilisation de conduits métalliques flexibles, les valeurs en pieds Fig.nt dans le tableau doivent être doublées. Le conduit métallique flexible doit être droit et lisse et étiré au maximum.

N'utilisez PAS de conduit en plastique flexible.

**REMARQUE:** *Tout système de ventilation domestique tel qu'une hotte, est susceptible d'interrompre le débit d'air et de fumées de combustion requis pour les cheminées, fours à gaz, les chauffe-eau à gaz et autres systèmes naturellement ventilés. Afin de réduire les probabilités d'interruption de ces systèmes naturellement ventilés, nous vous recommandons de suivre les consignes du fabricant de l'équipement de chauffage et les normes de sécurité telles que celles publiées par la NFPA.*

Conduit:	Dimensions:	Longueur équivalente*:	Quantité utilisée:	Longueur totale équivalente:
	Rond droit	1 ft. (par pied longueur)		
	3- 1/4" x 10 droite	1 ft. (par pied longueur)		
	Coude 90°	12 ft.		
	Coude 45°	7 ft.		
	3- 1/4" x 10" 3- 1/4" x 12" Coude 90°	14 ft. 10 ft.		
	3- 1/4" x 10" 3- 1/4" x 12" Coude 45°	8 ft. 6 ft.		
	3- 1/4" x 10" 3- 1/4" x 12" Coude 90°	33 ft. 24 ft.		
	6" rond pour ajuster	2 ft.		
	8" rectangulaire à régler	2 ft.		
	3-1/4" x 10" 3-1/4" x 12" Rond à 6" transition Coude 90°	4 ft. 4 ft.		
	3-1/4" x 10" 3-1/4" x 12" Rectangulaire à 6" transition Coude 90°	4 ft. 4 ft.		
	Cache mur rond avec registre	24 ft.		
	3-1/4" x 10" 3-1/4" x 12" Rectangulaire capuchon mural avec tamiseur	24 ft. 18 ft.		
	Cache rond pour toiture	33 ft.		
*Longueur réelle du conduit droit plus le raccord de conduit équivalent. Longueur équivalente des conduits satisfait aux exigences pour de bonnes performances en termes de ventilation de toute hotte aspirante.			Parcours total des conduits =	

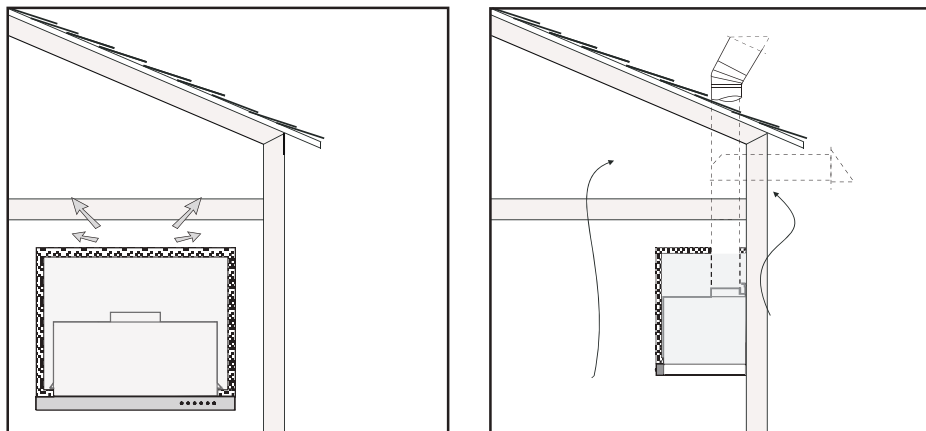
## ■ AVERTISSEMENT: DANGER D'INCENDIE

Ne pas évacuer l'air dans des espaces restreints comme l'intérieur des murs ou plafond ou dans le grenier, faux plafond ou garage.

L'air doit toujours être évacué à l'extérieur sauf si on opte pour l'option de la recirculation.

Utilisez uniquement des conduits métalliques flexibles ou rigides à paroi simple.

Procédez à toutes les connexions en vous servant des vis auto-taraudeuses et appliquez du ruban adhésif de métal certifié sur toutes les jonctions.



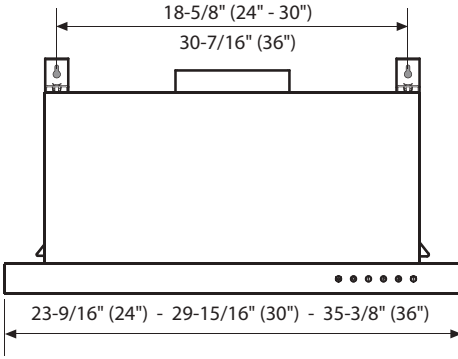
## INSTALLATION DES CONDUITS:

**NOTE: pour diminuer le risque d'incendie, utiliser uniquement des conduits en métal.**

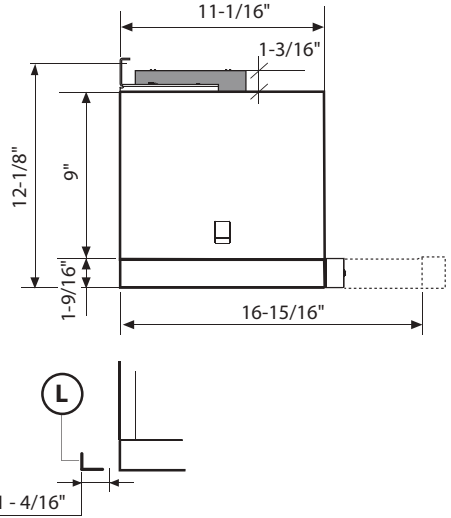
1. Décider la position du conduit entre la hotte et l'extérieur.
2. Un conduit court et droit améliore les performances de la hotte.
3. De longs conduits, des coudes et des raccords en diminuent les performances. Utiliser ces éléments le moins possible.
4. Installer un capuchon de toit ou de mur. Raccorder un conduit en métal circulaire au capuchon et procéder vers la hotte (de haut en bas). Utiliser du ruban adhésif de métal pour sceller les jonctions entre les différentes sections.

# DIMENSIONS DU PRODUIT ET DISTANCES

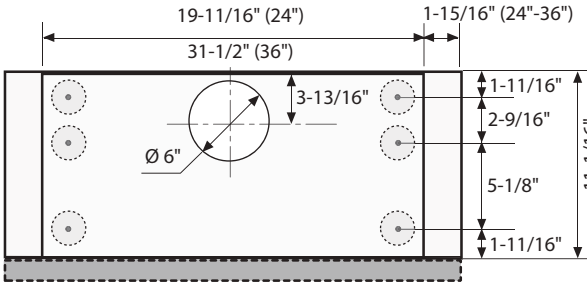
## › Partie avant de la hotte



## › Partie latérale de la hotte



## › Partie supérieure de la hotte



## › Hauteur de montage et distances :

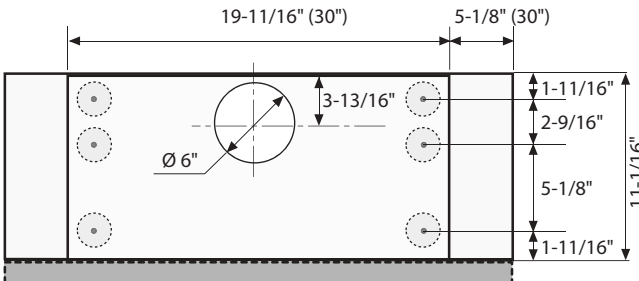
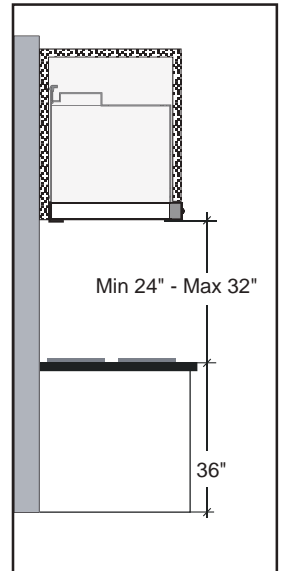


Fig.1



# INSTRUCTIONS POUR L'INSTALLATION

## INSTALLATION AVEC ÉVACUATION VERS L'EXTÉRIEUR

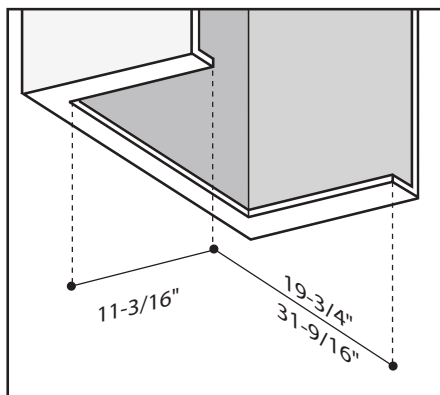
Avant de procéder aux opérations de montage, pour faciliter la manœuvrabilité de l'appareil, retirer le(s) filtre(s) anti-graisse (Fig.3).

Ce produit peut être installé de 3 façons différentes selon le modèle et vos besoins :

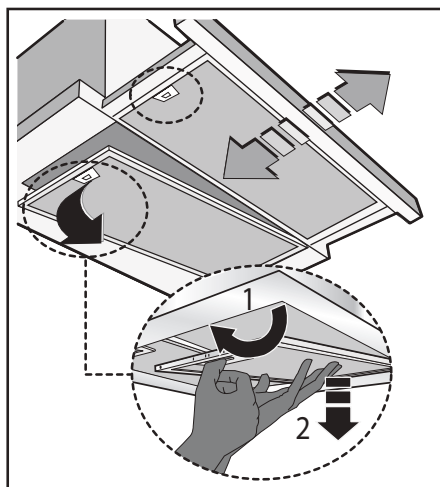
1- montage de la hotte dans la partie inférieure du meuble suspendu.

2- Montage de la hotte dans la partie inférieure du meuble suspendu sur support de séparation.

3- Montage de la hotte dans la partie inférieure du meuble suspendu uniquement pour le 30".



**Fig.2**



**Fig.3**

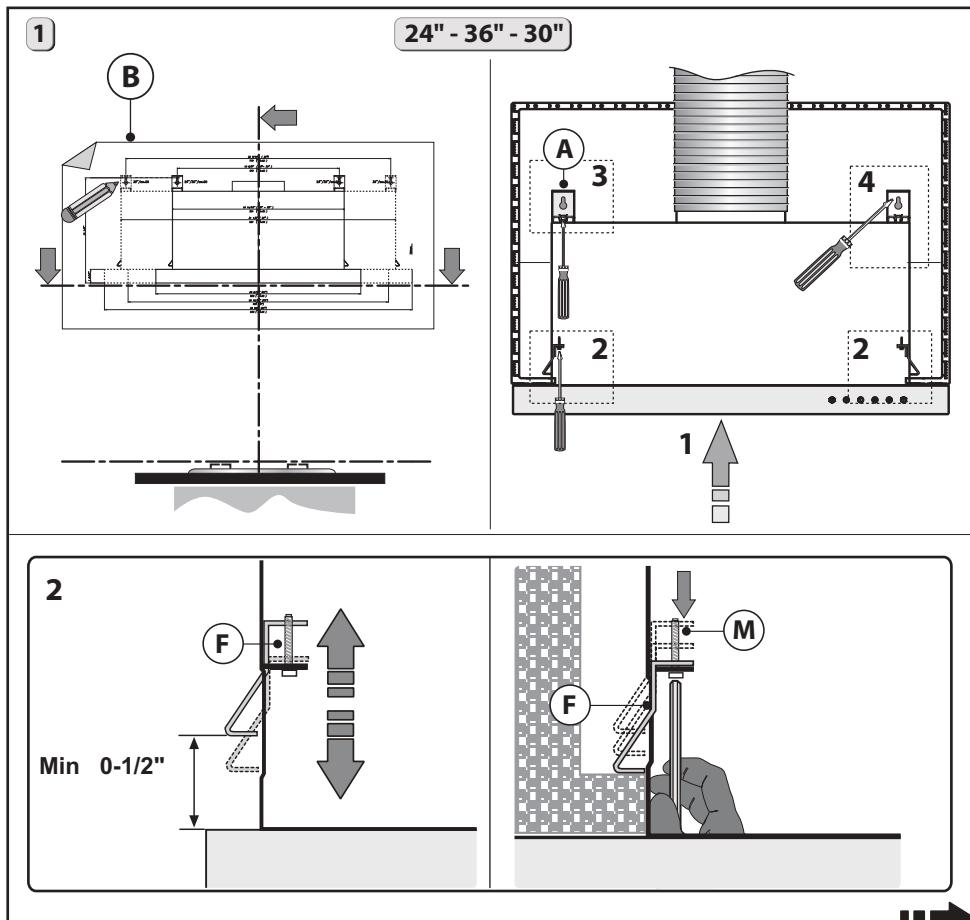


Fig.4

## 1. FIXATION DE LA HOTTE À LA TABLETTE DU BAS DES ARMOIRES:

Pour un bon montage, suivre les étapes suivantes :

1 - Placer le gabarit B sur les armoires selon les dimensions indiquées aux Figs 1 et 2 tout en respectant la distance minimale de la hotte par rapport à la surface de cuisson.

Marquer les points de référence où les étriers A doivent être fixés à l'armoire, comme indiqué à la Fig. 4.

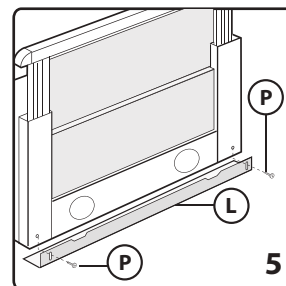
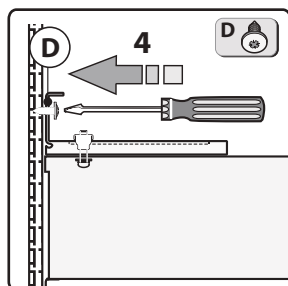
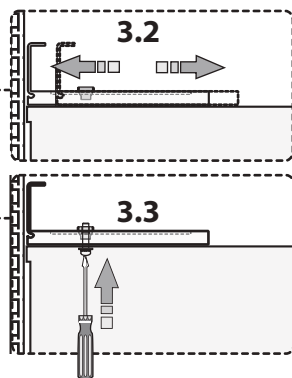
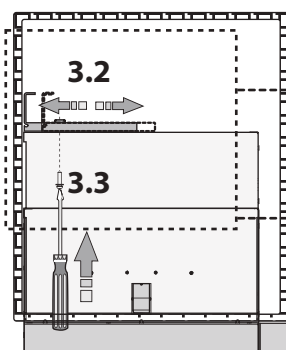
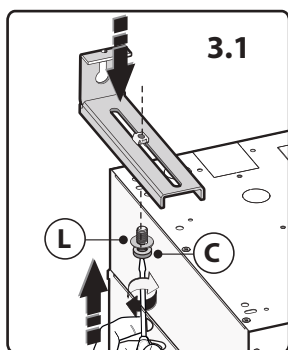
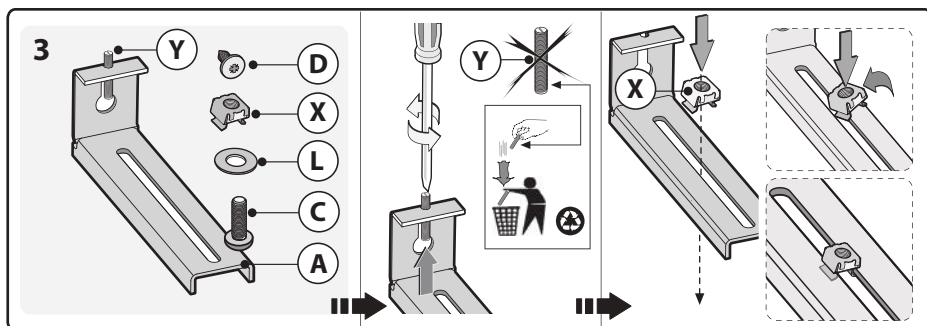
2 - S'assurer que la profondeur de l'armoire correspond aux dimensions indiquées à l'étape 2 de la Fig. 4..

3 - Insérer la hotte dans l'armoire. S'assurer que les ressorts F situés de chaque côté sont bien appuyés puisqu'ils soutiendront le poids de la hotte. Fixer la hotte aux armoires à l'aide des vis M, puis serrer jusqu'à ce que la hotte soit fermement appuyée contre l'armoire (étape 2 de la Fig. 4).

4 - Retirer le pivot Y de l'étrier A, puis jeter le pivot Y. Placer ensuite l'insert X sur la fente de l'étrier A, comme indiqué à l'étape 3 de la Fig. 4.

- Retirer le pivot Y de l'insert X, puis jeter le pivot Y. Placer ensuite l'insert X sur la fente de l'étrier A, comme indiqué à l'étape 3 de la Fig. 4. Appairer les vis C aux rondelles L, puis fixer l'étrier A aux armoires (étape 3.1 de la Fig. 4) sans serrer les vis complètement afin que l'étrier glisse d'avant en arrière.
- Serrer la vis D aux armoires, voir l'étape 4 de la Fig. 4. .
- Une fois la hotte solidement fixée aux armoires, ajuster l'entretoise L à l'aide des vis P afin que la hotte soit alignée avec l'arrière des armoires (Fig. 4, étape 5).

**IMPORTANT: La hotte doit être fixée aux montants des murs ou avec des ancrages d'une capacité de 75 lbs.**



## 2. FIXATION DE LA HOTTE À UNE TABLETTE DE L'INTÉRIEUR DES ARMOIRES.

Suivre les étapes suivantes :

1 - Vérifier les dimensions indiquées aux Fig.s 1 et 2, de même que la distance minimale de la hotte par rapport à la surface de cuisson avant de procéder à l'installation de la hotte.

2 - Installer une tablette de support d'1/2po à 9po du bas couvrant tout l'intérieur des armoires.

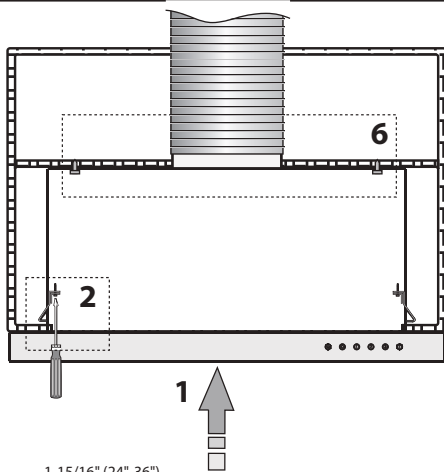
3 - Vérifier que la profondeur des armoires correspond aux requis énoncés à l'étape 2 de la Fig. 4.

4 - Insérer la hotte dans l'armoire. S'assurer que les ressorts F situés de chaque côté sont bien appuyés. Fixer la hotte à l'armoire à l'aide d'un tournevis et des vis M jusqu'à ce qu'elle soit appuyée fermement contre l'armoire (Fig. 4, étape 2).

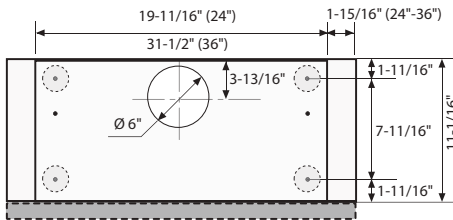
5 - Fixer la hotte à la tablette de support comme illustré à la Fig. 5, étape 6, puis ajuster l'entretoise L à l'aide des vis P afin de combler l'espace entre la hotte et le derrière des armoires (Fig. 4, étape 5).

**IMPORTANT: La hotte doit être fixée aux montants des murs ou avec des ancrages d'une capacité de 75 lbs.**

2



24" - 36"



30"

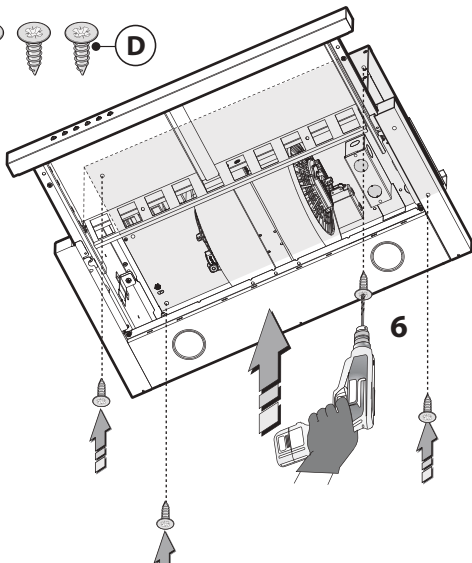
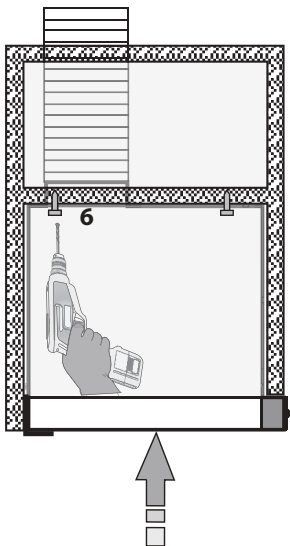
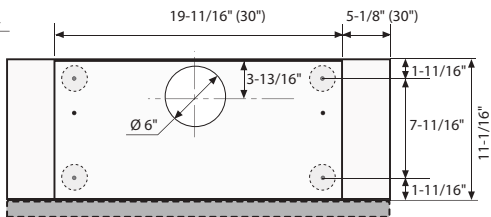


Fig.5

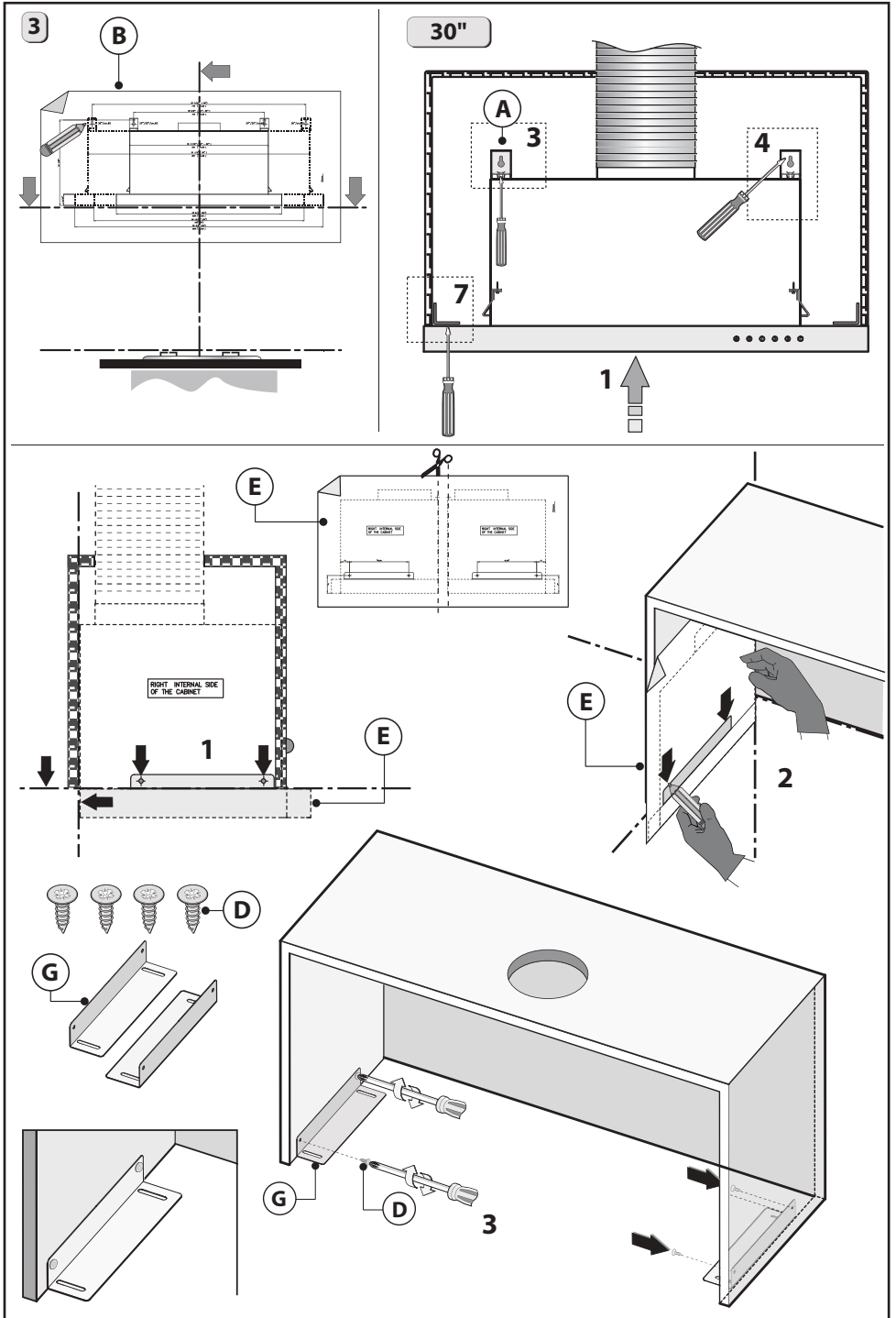
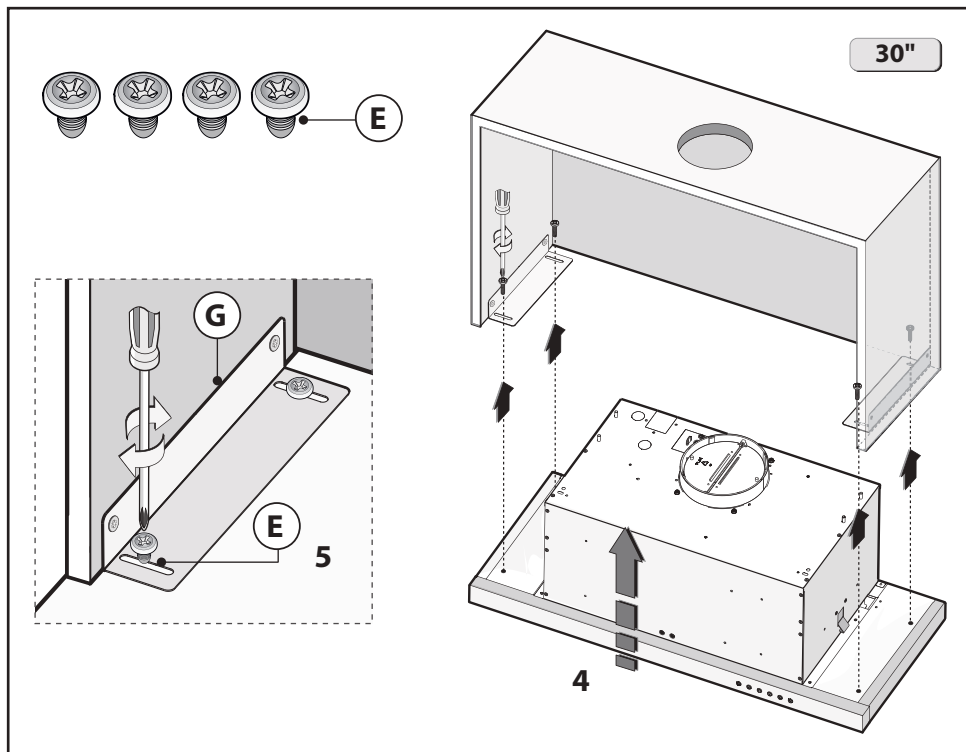


Fig.6



**Fig.6**

### **3. POUR LES HOTTES DE 30 PO SEULEMENT – FIXATION DE LA HOTTE DANS LE BAS DES ARMOIRES À L'AIDE DES ÉTRIERS DE MONTAGE.**

Ce modèle peut être soutenu par les côtés dans les armoires à l'aide des 2 étriers B (Fig. 6 près des étapes 3-4, indiqué à la Fig. 4).

1 - Placer le gabarit B sur les armoires selon les dimensions indiquées aux Fig.s 1 et 2 tout en respectant la distance minimale de la hotte par rapport à la surface de cuisson. Marquer les points de référence où les étriers A doivent être fixés à l'armoire, comme indiqué à la Fig. 6.

2 - Placer le gabarit E sur le côté des armoires et s'assurer que la ligne correspond à celle ayant été tracée à l'étape 1 de la Fig. 6.

3 - Marquer et percer les 4 trous (Fig. 6, étape 2).

- Fixer les deux étriers G aux armoires au moyen des vis D (Fig. 6, étape 3).

- Fixer la hotte aux étriers G à l'aide des 4 vis E (Fig. 6, étapes 4-5).

4 - Retirer le pivot Y de l'étrier A, puis jeter le pivot Y. Placer ensuite l'insert X sur la fente de l'étrier A, comme indiqué à l'étape 3 de la Fig. 4.

- Appairer les vis C aux rondelles L, puis fixer l'étrier A aux armoires (étape 3.1 de la Fig. 4) sans serrer les vis C complètement avant que l'étrier s'appuie fermement contre les armoires (Fig. 4, étape 3.2). Une fois le tout bien ajusté, fixer fermement l'étrier à la hotte (Fig. 4, étape 3.3).

- Serrer la vis D contre les armoires comme indiqué à l'étape 4 de la Fig. 4.

- Une fois la hotte fixée aux armoires, ajuster l'entretoise L avec les vis P afin que la hotte

soit alignée avec le derrière des armoires (Fig. 4, étape 5).

**IMPORTANT: La hotte doit être fixée aux montants des murs ou avec des ancrages d'une capacité de 75 lbs.**



## ALIMENTATION:

**IMPORTANT** (*veuillez lire attentivement*)

### **MISE EN GARDE:**


POUR VOTRE SECURITE, L'APPAREIL DOIT ETRE MIS À LA TERRE.

Avant de commencer l'installation, coupez l'alimentation au panneau de service. Ne pas utiliser de rallonges et de prises d'adaptation avec cet appareil. Veuillez vous en tenir aux codes nationaux sur la sécurité électrique ou aux codes et règlements locaux en la matière.

#### **Alimentation électrique:**

Cette hotte de ventilation doit être alimentée avec du courant 120V, 60 Hz et raccordée à un circuit dédié, avec une mise à la terre, protégée par des interrupteurs automatiques à 15 ou 20 ampères ou des fusibles à action différée.

- Câble à deux fils avec mise à la terre.
- Si l'alimentation électrique n'est pas conforme aux spécifications susmentionnées, appelez un électricien avant de continuer.
- Poser les câblages domestiques le plus près possible de l'installation, au plafond ou sur le mur de support. Veuillez consulter les positions des câblages à la page 42.
- Raccorder les câblages de la hotte aux câblages domestiques conformément aux codes locaux.

 **MISE EN GARDE:** une mauvaise connexion de la mise à la terre des équipements peut causer des risques de choc électrique. En cas de doute sur la mise à la terre correcte de la hotte, consulter un électricien ou le soutien technique.

## 2. RACCORDEMENT ELECTRIQUE:

### • Branchement électrique:

Pour brancher l'appareil au réseau d'alimentation électrique, suivre les indications reportées sur la **Fig. 7**:

**NOIR = L** ligne

**BLANC = N** neutre

**VERT/JAUNE = G** mise à la terre

- Un interrupteur bipolaire approprié doit être installé afin de permettre à la hotte de se débrancher du réseau électrique.

- Raccordez le conduit électrique au boîtier de connexion en n'utilisant que des composants homologués.

- Réalisez la connexion électrique conformément aux dispositions de la norme nationale (ANSI/NFPA 70-1999).

5. Insérez les câbles à l'intérieur de la boîte et ensuite fermez-la en fixant le couvercle avec les vis précédemment enlevées. L'appareil doit être installé à une hauteur minimum de 26" par rapport à une cuisinière électrique, et de 32" s'il s'agit d'une cuisinière à gaz ou combinée. Si l'on utilise un conduit composé de deux éléments, la partie supérieure doit alors être reliée à l'extérieur de la partie inférieure. Ne pas relier le conduit d'aspiration d'air de la hotte à celui utilisé pour aspirer l'air chaud ou les fumées provenant d'autres appareils électroménagers non électriques.

• Pour la version **FILTRANTE** il faut appliquer un tuyau métallique pour l'évacuation de l'air **M** (**Fig.8**), de minimum 15" de longueur, relié à la bride du convoyeur. Celui-ci devra être positionné verticalement et fixé à une ouverture effectuée

## 3. RACCORDEMENT DES TUYAUX:

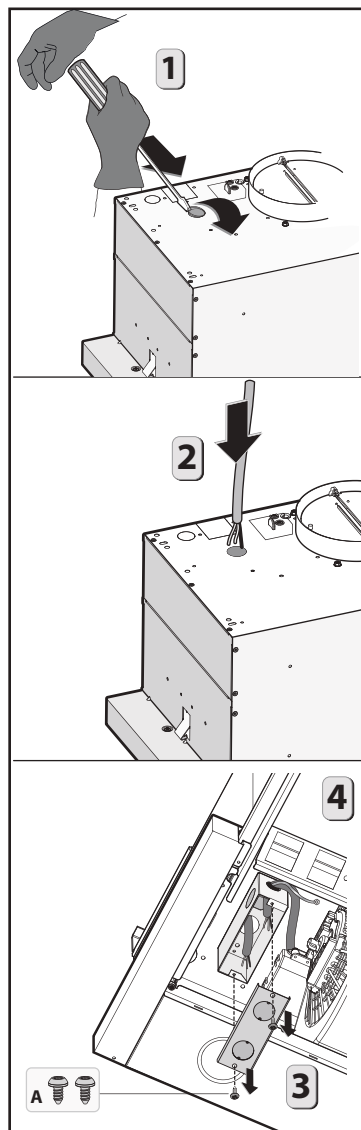
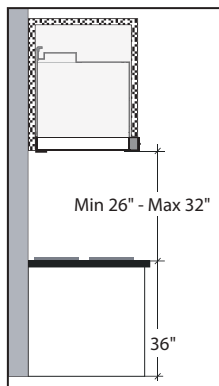


Fig.7

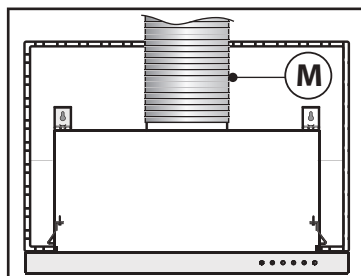
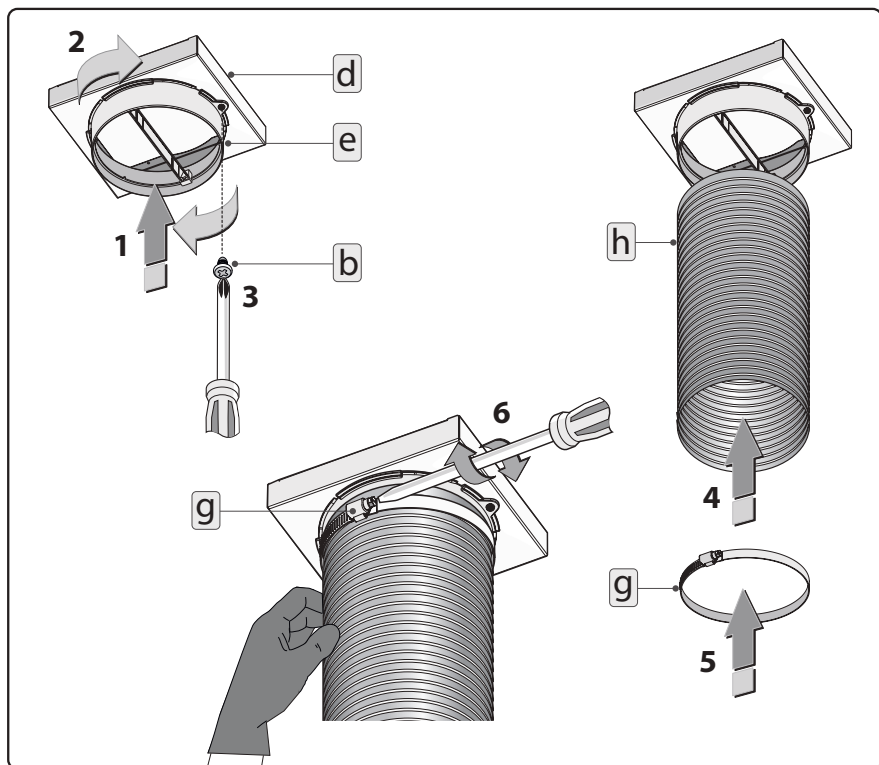
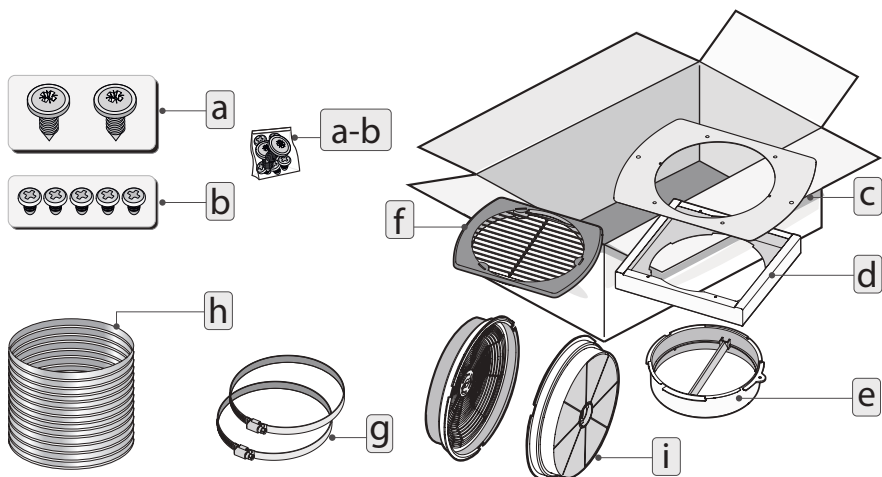
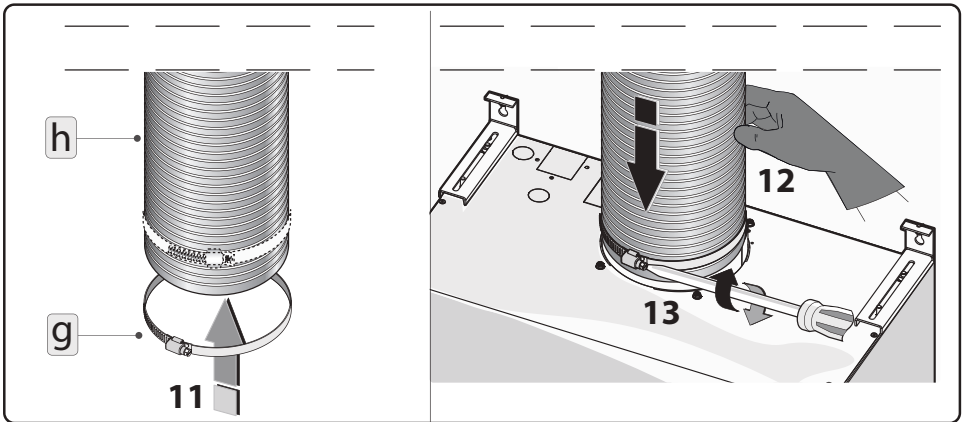
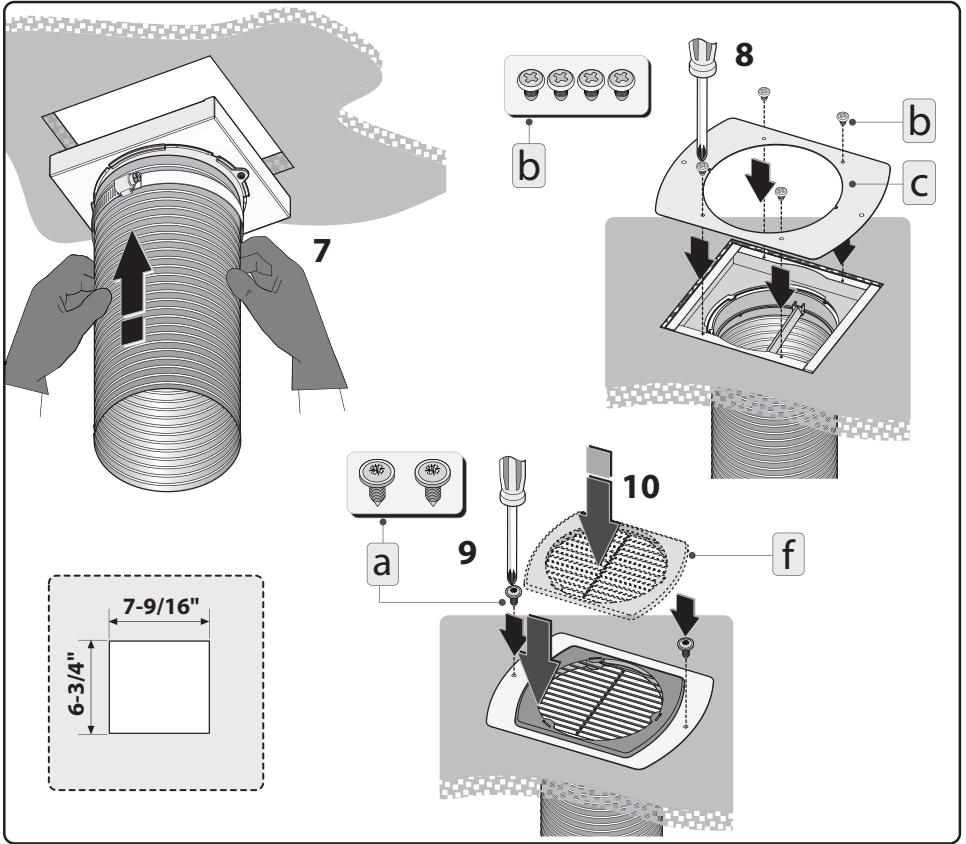


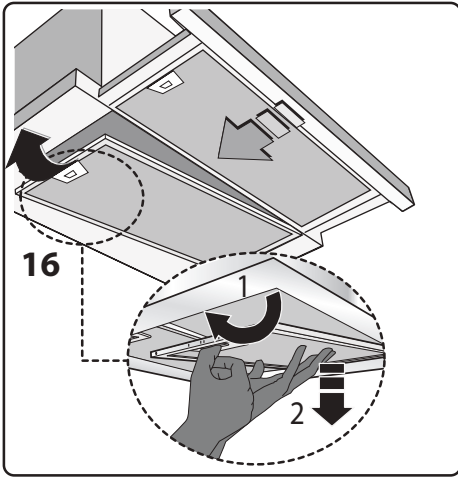
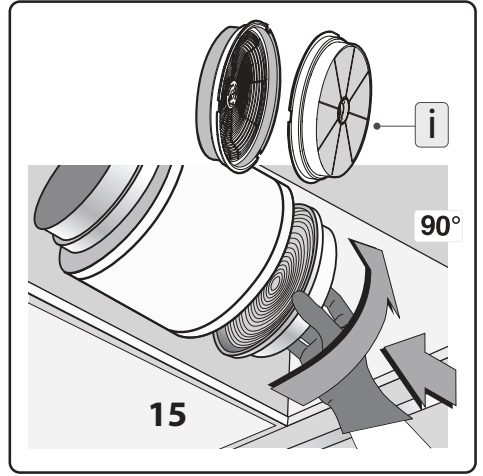
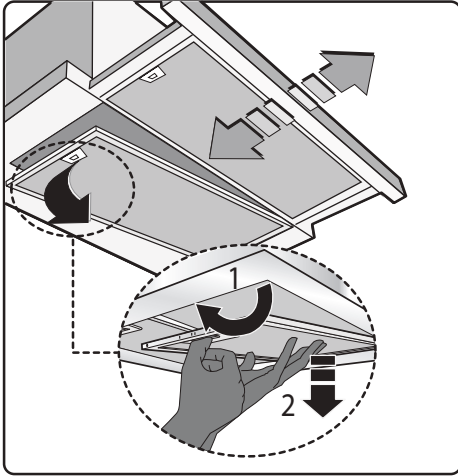
Fig.8

## OPTION DE RECIRCULATION SANS CONDUIT:

**KIT FILTRE A:** pour l'installation du kit, suivre les étapes indiquées dans le livret complémentaire.







## ■ UTILISATION

• L'appareil dispose des commandes suivantes:

**A** = Touche ECLAIRAGE

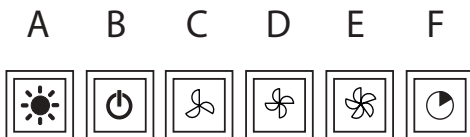
**B** = Touche ARRÊT

**C** = Touche PREMIERE VITESSE

**D** = Touche DEUXIEME VITESSE

**E** = Touche TROISIEME VITESSE

**F** = Touche MINUTEUR ARRET AUTOMATIQUE 15 minutes (\*)



(\*) La fonction “**minuteur arrêt automatique**” retarde l’arrêt de la hotte, qui continuera de fonctionner à la vitesse de service en cours au moment de l’activation de cette fonction, pendant 15 minutes.

• **Saturation filtres anti-gras/charbon actif:**

- Quand la touche **A** se met à clignoter par intervalles de **2 secondes**, il est temps de laver les filtres **anti-gras**.

- Quand la touche **A** se met à clignoter par intervalles de **0,5 secondes**, il est temps de changer les filtres à **charbon**.

Après avoir remis le filtre propre à sa place, procéder à une remise à zéro la mémoire électronique en appuyant **5 secondes** de suite sur la touche **A** jusqu’à ce que cette dernière cesse de clignoter.

## ■ ENTRETIEN

- Il est conseillé de mettre en service la hotte quelques minutes avant de commencer à cuisiner. De même il est conseillé de l'arrêter 15 minutes après avoir terminé la cuisson pour éliminer au maximum les odeurs et évacuer l'air vicié. Le bon fonctionnement de la hotte est lié à la fréquence des opérations d'entretien et, plus particulièrement, à l'entretien du filtre anti-graisse et du filtre à charbon actif.

- **Le filtre anti-graisse** a pour rôle de retenir les particules grasses en suspension dans l'air. Il peut donc se boucher plus ou moins rapidement selon la fréquence d'utilisation de la hotte. Nettoyer fréquemment les filtres à graisse à l'aide d'une solution

détergente. Les filtres à graisse peuvent être lavés dans le lave-vaisselle.

- Pour prévenir tout risque d'incendie, il faut laver les filtres anti-graisse au moins tous les 2 mois, ces derniers sont lavables même au lave-vaisselle.

- Après plusieurs lavages, ils peuvent changer de couleur. Ceci ne donne pas droit à réclamation ni droit, par conséquent, à leur remplacement.

Le non-respect des consignes de remplacement et de lavage peut entraîner un risque d'incendie des filtres anti-graisse.

- **Les filtres à charbon actif** servent à filtrer l'air qui est ensuite renvoyé dans la pièce. Les filtres ne sont ni lavables ni régénérables, il faut par conséquent les changer au moins tous les quatre mois.

La saturation du charbon actif dépend de l'utilisation plus ou moins prolongée de l'appareil, du type de cuisine pratiquée et de la régularité du nettoyage du filtre anti-graisse.

- Nettoyez fréquemment la hotte, à l'intérieur et à l'extérieur, à l'aide d'un chiffon imbibé d'alcool dénaturé ou de détergents liquides neutres **non** abrasifs.

- N'utiliser l'éclairage de la hotte que pendant la cuisson, ce dernier n'est en effet pas conçu pour un éclairage général prolongé de la pièce. Une utilisation prolongée de l'éclairage diminue considérablement la durée de vie moyenne des lampes.

- **Nettoyage de la hotte :**

L'acier inox est l'un des matériaux les plus faciles à nettoyer. Un entretien régulier permettra de garder l'acier inox en bon état.

Suggestions pour le nettoyage :

- il suffit d'utiliser de l'eau chaude avec du savon ou du détergent.

- Après avoir nettoyé, rincer avec de l'eau. Essuyer avec un chiffon sec et propre pour le rendre brillant.

- En cas de décolorations ou de graisse, utiliser un détergent domestique non abrasif ou une poudre pour l'acier avec un peu d'eau et un chiffon doux.

- En cas de saleté incrustée, utiliser un racloir en plastique ou une brosse souple avec du

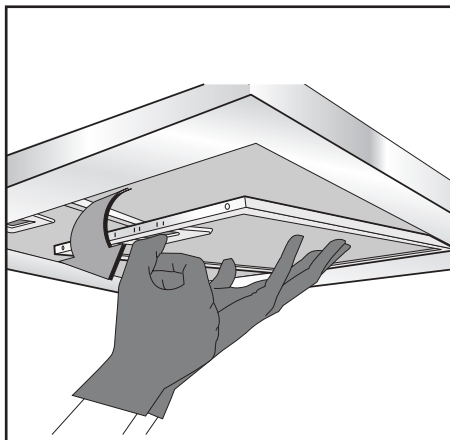


Fig.9

détergent et de l'eau. Frotter légèrement en direction des lignes du poli ou du "grain" de la finition en acier inox. Ne pas trop gratter pour ne pas endommager la surface.

- **NE PAS** laisser les dépôts pendant trop longtemps sur la hotte.
- **NE PAS** utiliser de tampons à récurer ou de brosse en acier. Sur la surface des particules en acier pourraient adhérer et former, par conséquent, de la rouille.
- **NE PAS** laisser des solutions salines, des désinfectants, de la javelle ou des détergents en contact avec l'acier inox pendant une durée excessivement longue. Certains de ces produits contiennent des substances chimiques qui pourraient être nuisibles. Rincer avec de l'eau et essuyer avec un chiffon propre.

Les surfaces vernies doivent être nettoyées avec de l'eau chaude et un détergent neutre.

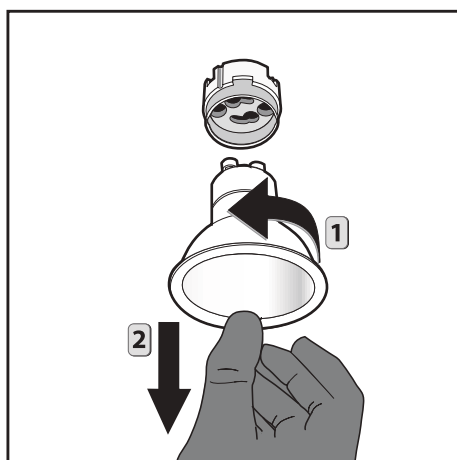
• **Remplacement des panneaux aluminium:**

Pour remplacer les panneaux aluminium, il suffit de tirer sur la poignée comme illustré **Fig.9.**

• **Remplacement des lampes:**

Pour le remplacement des lampes, tourner la lampe dans le sens antihoraire comme représenté sur la Fig..

Remplacez-les par des ampoules de même type. (LAMPE LED 5W GU10)

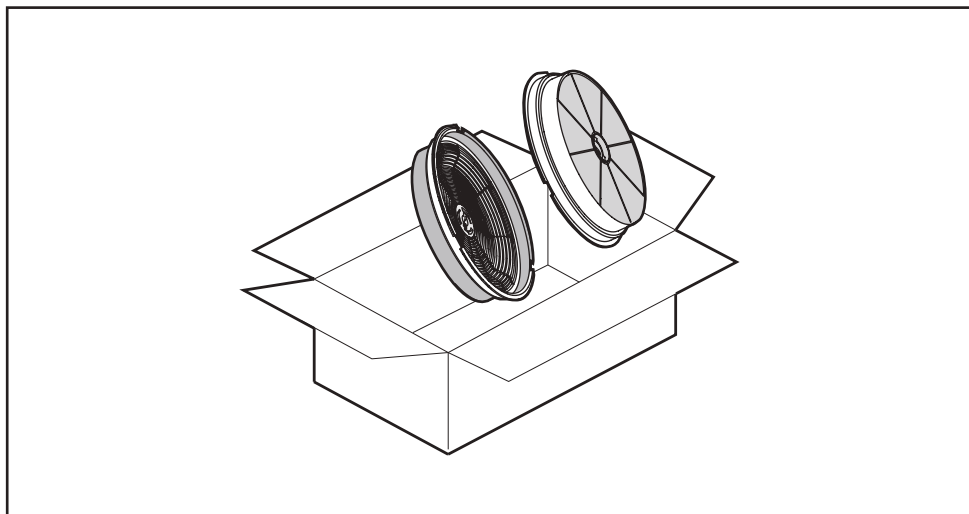




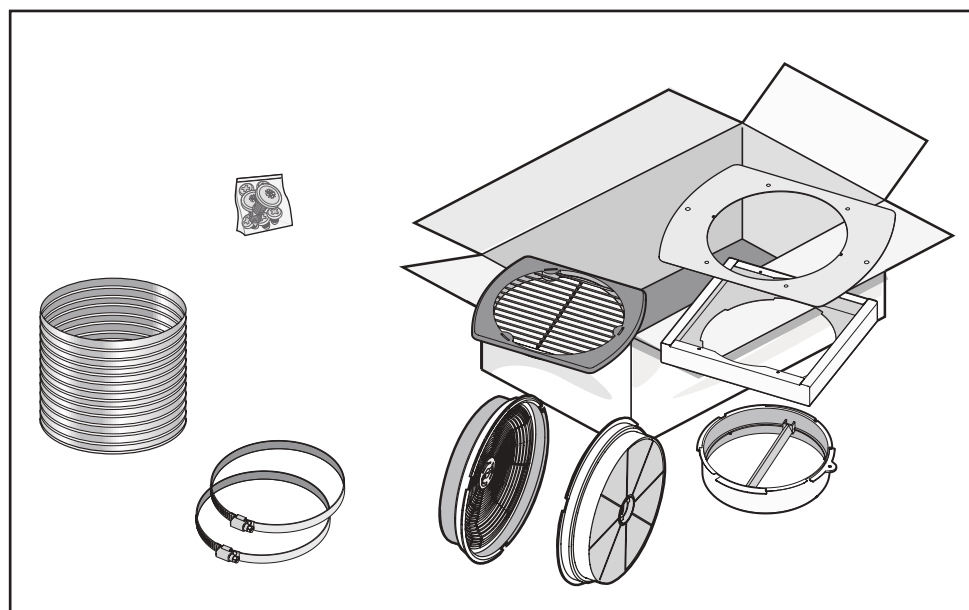
## OPTIONS ET ACCESSOIRES:

---

Kit filtre de recirculation sans conduits.



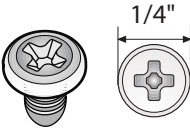
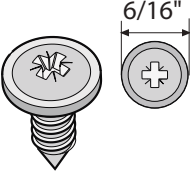
Kit filtre de recirculation sans conduits.

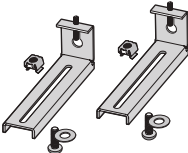
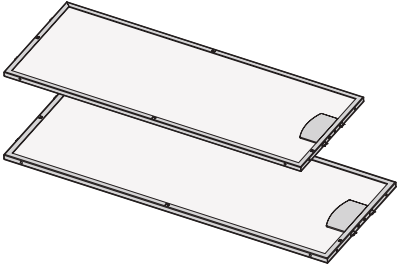



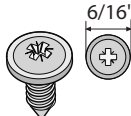
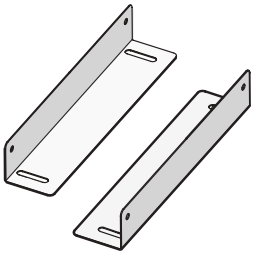
# PRÉPARATION DE L'INSTALLATION

## Vérification du matériel d'installation:

Inspectez le paquet de l'appareil emballé avec la hotte et vérifiez le contenu.

TYPE		DESCRIPTION	N°
A		1/8" x 1/4"	3
B		3/16" x 9/16"	4

Étriers de réglage	Filtres en aluminium
	

Équipement étriers de fixation latéraux au meuble suspendu uniquement pour le 30"	
1/8" x 1/4" N°4	
3/16" x 9/16" N°4	
	 étriers de fixation latéraux au meuble suspendu N°2

- **INSTRUCCIONES IMPORTANTES DE SEGURIDAD**
- **EXCLUSIVAMENTE PARA USO DOMÉSTICO**
- **LEA ESTAS INSTRUCCIONES Y GUÁRDELAS**
- **PARA EMPEZAR:** Lea todas las instrucciones guarde las Instrucciones de uso para los Inspectores Eléctricos Locales.
- **PARA EL INSTALADOR:** Entregue este manual al propietario.
- **PARA EL PROPIETARIO:** Guarde las instrucciones para consultas futuras.
- Preste máxima atención durante el uso de productos de limpieza o detergentes.
- Aparato adaptado para uso doméstico y culinario.
- **ADVERTENCIA** – Para reducir el riesgo de incendio o de sacudida eléctrica, no use el motor junto con ningún dispositivo de control de velocidad con semiconductores.
- **ATENCIÓN** – Para reducir el riesgo de incendio y aspirar correctamente el aire, asegúrese que el aire sea transportado en el exterior a través de un conducto de evacuación. – No descargue el aire en paredes dobles entre paredes o techos o en desvanes, espacios angostos o garajes.
- **ATENCIÓN** – Usar solo para una ventilación general. No es adaptado para aspirar materiales o vapores peligrosos o explosivos.
- **ATENCIÓN** – Para evitar daños y ruidos al motor, y/o hélices desbalanceadas, evite que la unidad de alimentación llegue en contacto con esprays, polvo, etc.
- **ATENCIÓN** – Para ulterior información y pedidos, lea la etiqueta de especificación del producto.
- **ADVERTENCIA** – PARA REDUCIR EL RIESGO DE INCENDIO, CHOQUE ELÉCTRICO O HERIDAS CORPORALES, SIGA LAS INDICACIONES SIGUIENTES:
  - A. Utilice este aparato sólo en la forma prevista por el fabricante. Si tiene preguntas, póngase en contacto con el fabricante en la dirección o número de teléfono indicados en la garantía.
  - B. Antes del mantenimiento o de la limpieza del aparato, apague la alimentación en el tablero de servicio y bloquee los medios de desconexión para evitar que se conecte la corriente accidentalmente. Cuando no se puedan bloquear los medios de desconexión de servicio, coloque firmemente un dispositivo de aviso visible, como una etiqueta, en el tablero de servicio.
- **ADVERTENCIA** – **PARA REDUCIR EL RIESGO QUE LA GRASA DE LA SUPERFICIE DEL HORNO SE INCENDIE:**
  - A. Nunca deje ollas en la superficie del horno en posición alta sin supervisión.

Los desbordes eventuales por el hervor pueden causar humo y rebalses de grasa que pueden encenderse. Caliente el aceite lentamente en posición baja o media.

- B.** ENCIENDA siempre la campana cuando cocine a temperaturas elevadas.
- C.** Limpie frecuentemente el motor. Evite que la grasa se acumule en el motor o en el filtro.
- D.** Use cazuelas de dimensiones adaptadas. Siempre utilice utensilios de cocina idóneos a la dimensión de la olla que se encuentra sobre la superficie del horno.
- E.** Mantenga limpio el motor, los filtros y la superficie donde se acumula la grasa.
- F.** Use el horno en posición alta sólo cuando sea necesario. Caliente el aceite lentamente en posición baja o media.
- G.** No deje nunca el horno sin supervisión durante la cocción.
- H.** Use siempre utensilios y herramientas de cocina adaptados al tipo y a la cantidad de comida que esté preparando.

■ **ADVERTENCIA** – PARA REDUCIR EL RIESGO DE DAÑOS A PERSONAS EN CASO QUE SE ENCIENDA LA GRASA DE LA SUPERFICIE DEL HORNO, SIGA LAS SIGUIENTES PAUTAS:

- A.** SOFOQUE LAS LLAMAS con una tapa hermética, una losa de horno o una bandeja metálica y luego apague el quemador. PRESTE MUCHA ATENCIÓN DURANTE ESTA OPERACIÓN PARA EVITAR QUEMADURAS. Si las llamas no se extinguen inmediatamente, EVACUE EL LUGAR Y LLAME A LOS BOMBEROS.
- B.** NO TOQUE NUNCA UNA CAZUELA HIRVIENTE – se puede quemar.
- C.** NO USE AGUA, inclusive estropajos o toallas húmedas – se produciría una violenta explosión de vapor.
- D.** Use un extinguidor SOLO en caso que:
  - 1.** Se tenga un extinguidor de Clase ABC y sepa utilizarlo.
  - 2.** Sea un fuego de dimensiones pequeñas y contenido en el área en el cual ha estallado.
  - 3.** Ya hayan sido llamados los bomberos.
  - 4.** Se puedan afrontar las llamas con la espalda dirigida hacia una salida.

Basado en las “medidas sobre seguridad antiincendio en la cocina” publicadas por el NFPA.

**Una correcta mantención de la campana garantiza un buen funcionamiento de la unidad.**

## ■ INSTRUCCIONES PARA LA INSTALACIÓN

■ **ADVERTENCIA** – PARA REDUCIR EL RIESGO DE INCENDIO, SACUDIDA ELÉCTRICA O DAÑOS A PERSONAS, SIGA LAS SIGUIENTES PAUTAS:

- A.** Las operaciones de instalación y conexión eléctrica deben ser efectuadas por personal calificado, conforme con las leyes y normativas en vigor, incluyendo las de protección contra incendios.
- B.** Se necesita aire suficiente para una combustión adecuada y para sacar los gases por la chimenea del equipo que quema el combustible para evitar la contracorriente. Siga las indicaciones del fabricante de la planta de calefacción y las relativas normas de seguridad, como las emitidas por la Asociación Nacional de Protección contra

Incendios (National Fire Protection Association - NFPA), por la Sociedad Americana de Técnicos de Calefacción, Refrigeración y Aire Acondicionado (American Society for Heating, Refrigeration and Air Conditioning Engineers - ASHRAE) y por las autoridades de códigos locales.

- C. Cuando corte o taladre en la pared o el techo, no dañe el cableado eléctrico ni otras utilidades escondidas.
- D. El aparato debe estar siempre conectado a un agujero de evacuación hacia el exterior.
- E. La unidad deber conectarse a tierra.

■ **ADVERTENCIA** – PARA REDUCIR EL RIESGO DE INCENDIO, USE SOLO CONDUCTOS METÁLICOS.

■ **ADVERTENCIA** – EN CIERTOS CASOS LOS ELECTRODOMÉSTICOS PUEDEN REVELARSE PELIGROSOS.

- A. No quite ni manipule los filtros mientras la campana se encuentre en función.
  - B. No toque las luces después de un uso prolongado del aparato.
  - C. Nunca flamee un alimento bajo la campana.
  - D. El uso de llamas libres es peligroso para los filtros y puede generar incendios.
  - E. Controle constantemente los alimentos fritos para evitar que los chorros del aceite de la fritura puedan incendiarse.
  - F. Antes de efectuar cualquier operación de mantención, desconecte la campana de la red eléctrica.
- El fabricante no será responsable por eventuales daños causados por la falta de observación de las instrucciones citadas arriba.

## ACCESORIOS PARA CONDUCTOS:

**Esta campana debe usar un conducto redondo de 6". Puede cambiar a un conducto de 3-1/4" x 10" o de 3-1/4" x 12".**

Utilice esta tabla para calcular las longitudes máximas permitidas para recorridos de conductos hacia el exterior.

**NOTA:** ¡No supere las longitudes equivalentes máximas permitidas!

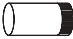
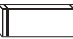







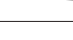



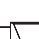
**Longitud máxima del ducto: 100 pies para campanas para estufas.**

### Conductos flexibles:

Si se utilizan conductos flexibles de metal, todos los valores equivalentes en pies de la tabla deben duplicarse. El conducto flexible de metal debe ser recto y liso y debe extenderse lo máximo posible.

NO USE conductos flexibles de plástico.

**NOTA:** *Cualquier sistema de ventilación doméstico, como una campana de ventilación, puede interrumpir el flujo adecuado de aire de combustión y de escape requerido para chimeneas, hornos a gas, calentadores de agua a gas y otros sistemas de ventilación natural. Para minimizar las posibilidades de interrupción de tales sistemas de ventilación natural, siga las pautas y normas de seguridad del fabricante del equipamiento de calefacción, tales como las publicadas por NFPA.*

Pieza del ducto:	Dimensiones:	Longitud Equivalente*:	Cantidad utilizada:	Longitud Equivalente Total:
	Redondo, recto	1 pie (por longitud de 1 pie)		
	3-1/4" x 12" recto.	1 pie (por longitud de 1 pie)		
	Codo de 90°	12 pies		
	Codo de 45°	17 pies		
	Codo de 90° 3-1/4" x 10" 3-1/4" x 12"	14 pies 10 pies		
	Codo de 45° 3-1/4" x 10" 3-1/4" x 12"	8 pies 6 pies		
	Codo de 90° 3-1/4" x 10" 3-1/4" x 12"	33 pies 24 pies		
	Redondo de 6" a rectangular	2 pies		
	Rectangular a redondo 3-1/4" x 12" de 8"	2 pies		
	3-1/4" x 10" 3-1/4" x 12" redondo de 6" a transición rectangular con codo 90°	4 pies 4 pies		
	3-1/4" x 10" 3-1/4" x 12" rectangular a transición de 6" con codo 90°	4 pies 4 pies		
	Tapa de pared redonda con compuerta	24 pies		
	Tapa de pared rectangular con compuerta 3-1/4" x 10" 3-1/4" x 12"	24 pies 18 pies		
	Tapa de techo redonda	33 pies		

\*Longitud real del conducto recto más equivalente de accesorio del conducto. La longitud equivalente de los conductos se encuentra basada en pruebas reales las que reflejan los requisitos para un buen desempeño de ventilación con cualquier campana de ventilación.

Recorrido total de los conductos =

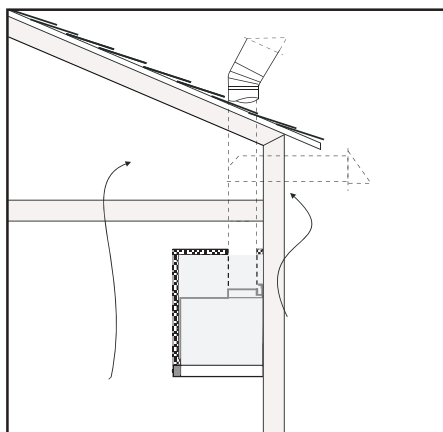
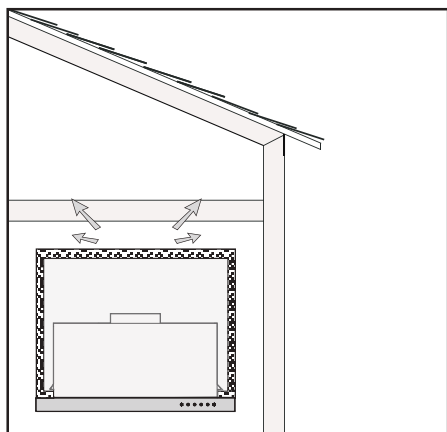
## ■ ADVERTENCIA: PELIGRO DE INCENDIO

NO instale NUNCA el conducto con la descarga de aire colocada en la escotadura de paredes, en pavimentos ventilados, áticos o garajes.

El aire se debe descargar hacia afuera salvo cuando se utiliza la opción de la recirculación.

Utilice únicamente conductos metálicos rígidos o flexibles de una sola pared.

Realice todas las conexiones utilizando los tornillos autorroscantes y aplique una cinta de metal certificada en todas las juntas.



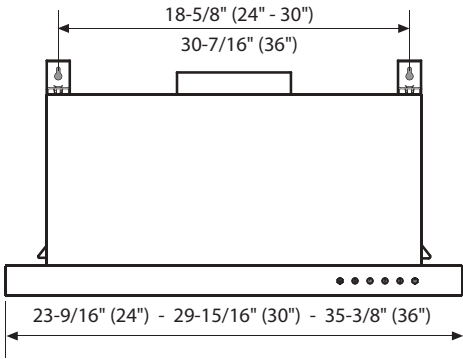
## INSTALACIÓN DE LOS CONDUCTOS:

**NOTA:** para reducir el riesgo de incendio, utilice solo conductos de metal.

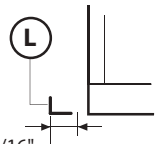
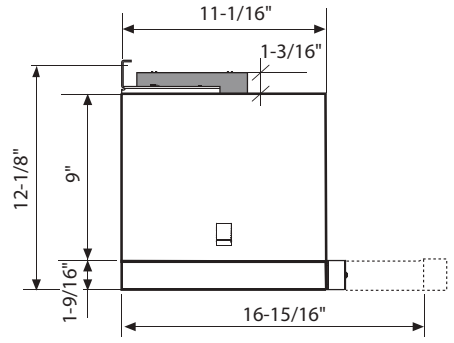
1. Decida la posición del conducto entre la campana y el exterior.
2. Un conductos corto y recto mejora los rendimientos de la campana.
3. Los conductos largos, codos y racores reducen los rendimientos. Utilice el menor número posible de estos elementos.
4. Instale la tapa de techo o de pared. Conecte un conducto circular metálico en la tapa y continúe hacia la campana (desde arriba hacia abajo). Utilice una cinta de metal para conductos para sellar las juntas entre las varias secciones.

# DIMENSIONES DEL PRODUCTO Y DISTANCIAS

## › Parte frontal de la campana

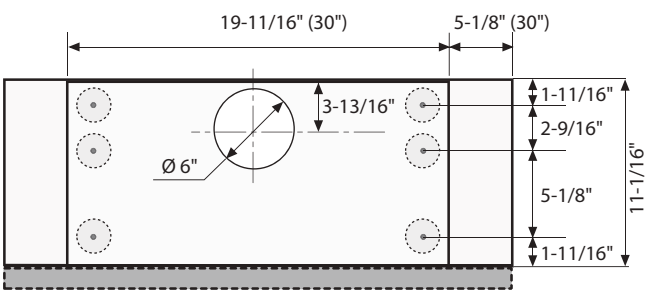
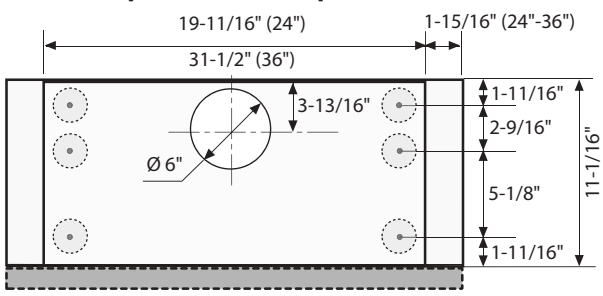


## › Parte lateral de la campana



min 0 - 0/16" - max 1 - 4/16"

## › Parte superior de la campana



## › Altura de montaje y distancias:

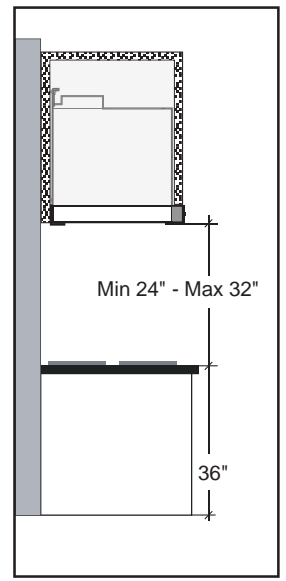


Fig.1



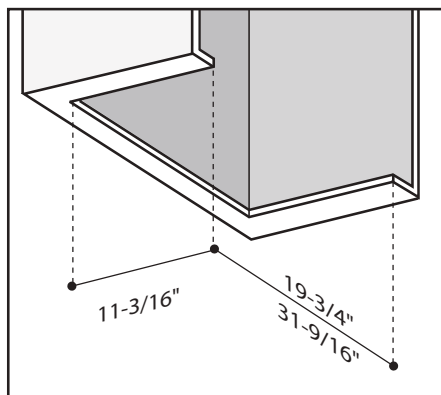
# INSTRUCCIONES PARA LA INSTALACIÓN

## INSTALACIÓN CON DESCARGA HACIA EL EXTERIOR

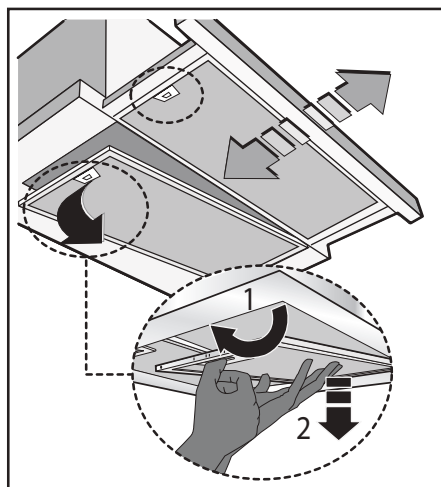
Antes de efectuar las operaciones de montaje y para que sea más fácil maniobrar el aparato, quite el/los filtro/s antigrasa (Fig.3).

Este producto se puede instalar de 3 maneras diferentes según sea el modelo o sus exigencias:

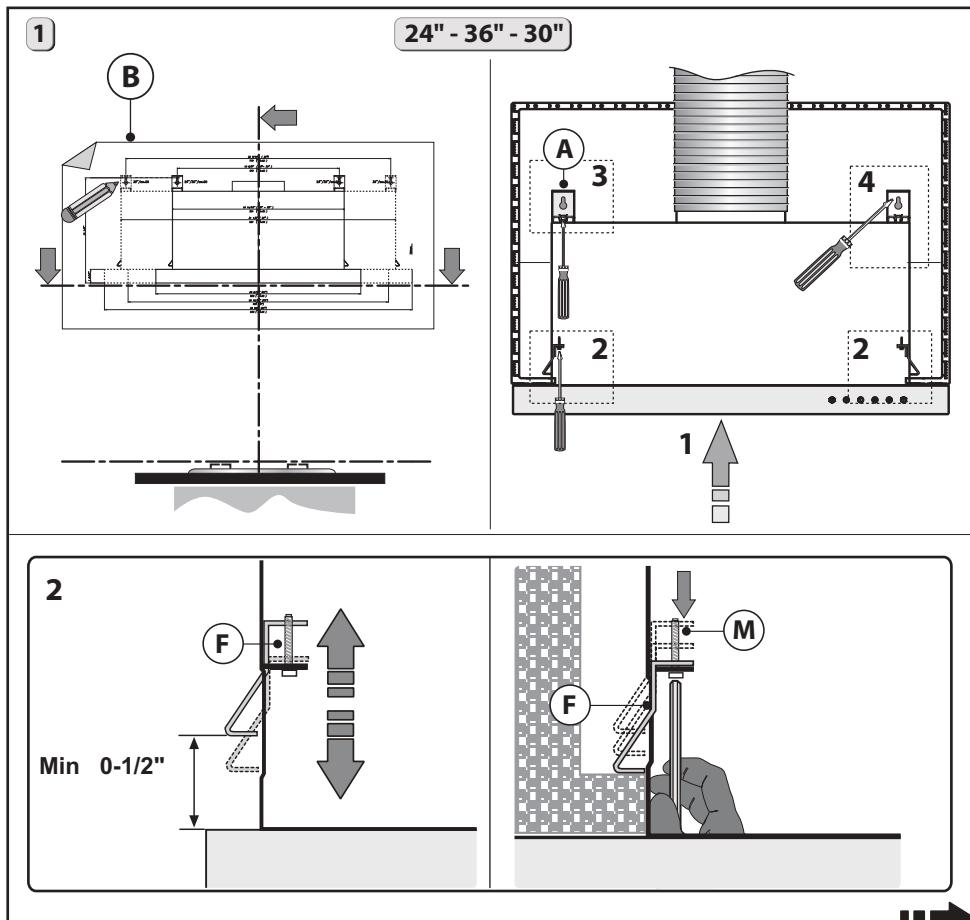
- 1- Montaje de la campana en la parte inferior del mueble de pared.
- 2- Montaje de la campana en la parte inferior del mueble de pared, sobre un soporte divisorio.
- 3- Montaje de la campana en la parte inferior del mueble de pared sólo para el 30".



**Fig.2**



**Fig.3**



**Fig.4**

### **1. INSTALACIÓN DE LA CAMPANA EN EL ESTANTE INFERIOR DEL ARMARIO DE PARED:**

Para realizar un montaje correcto, efectúe las siguientes fases:

1 - Retire la clavija Y del soporte A. (La clavija Y puede desecharse). A continuación, coloque la pieza X en la ranura del soporte A, como se indica en la Fig. 4, etapa 3. Haga coincidir los tornillos C con la arandela L y fije el soporte A al armario como se indica en la Fig. 4, etapa 3.1. No apriete completamente los tornillos C para permitir que el soporte se deslice hacia adelante y hacia atrás. Coloque la plantilla B sobre el armario, teniendo en cuenta las medidas indicadas en las Figs 1 y 2 y la distancia mínima desde la superficie de cocción. Marque las referencias para fijar los soportes A al armario, como se indica en la Fig. 4.

2 - Asegúrese de que el grosor del armario está dentro de los parámetros indicados en la Fig. 4, etapa 2.

3 - Introduzca la campana en el armario, asegurándose de que los 2 muelles laterales F estén correctamente conectados, ya que el peso del aparato descansará sobre estos muelles. Fije

la campana al armario con el destornillador y los tornillos M correspondientes y apriételos hasta que la campana quede firmemente apoyada contra el armario (Fig. 4, etapa 2).

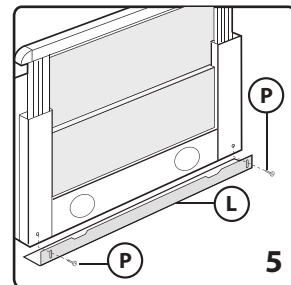
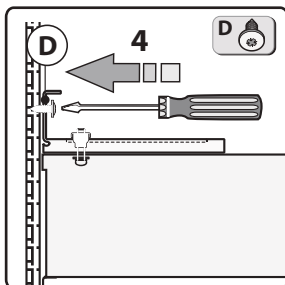
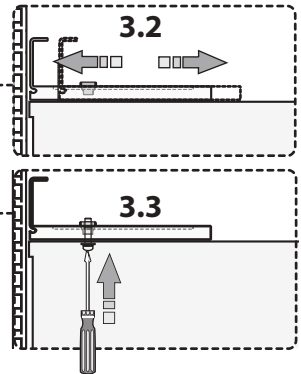
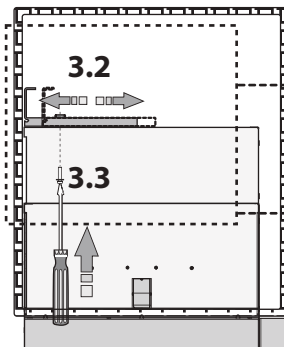
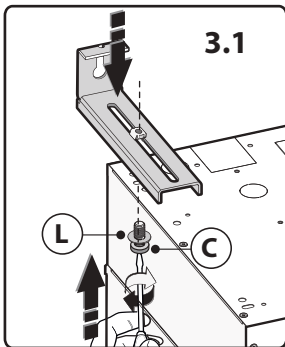
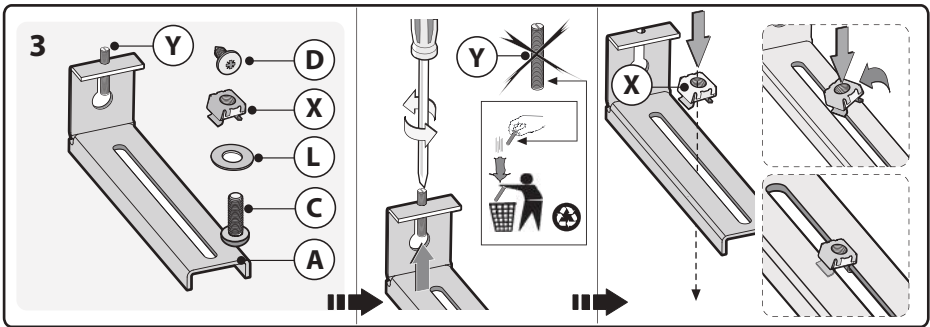
4 - Retire la clavija Y del soporte A. (La clavija Y puede desecharse). A continuación, coloque la pieza X en la ranura del soporte A, como se indica en la Fig. 4, etapa 3.

Después de cualquier ajuste para asegurar que el soporte toca el armario, apriete el soporte al cuerpo (Fig. 4, etapa 3.3).

Fije el tornillo D al armario como se indica en la Fig. 4, etapa 4.

Una vez que haya fijado la campana al armario, ajuste el espaciador L con los tornillos P para que el aparato quede alineado con la parte posterior del armario (Fig. 4, etapa 5).

**IMPORTANTE: la campana se debe fijar los montantes de la pared o con anclajes con capacidad para 75 libras.**



## **2. INSTALACIÓN DE LA CAMPANA EN UN ARMARIO DE PARED UTILIZANDO UN SEPARADOR HORIZONTAL COMO SOPORTE.**

Siga las siguientes etapas:

1 - Antes de instalar la campana en el estante de soporte, compruebe las medidas indicadas en las Fig.s 1 y 2 y la distancia mínima desde la superficie de cocción.

2 - Instale un estante de soporte de la misma anchura que el interior del armario (dimensión 9) (1/2" de grosor).

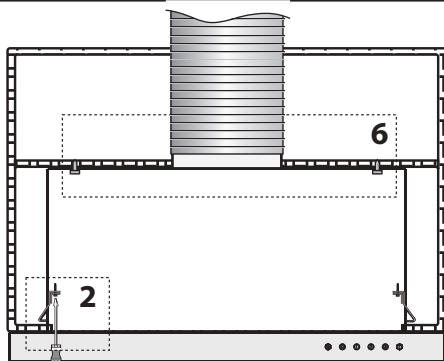
3 - Asegúrese de que el grosor del armario está dentro de los parámetros indicados en la Fig. 4, etapa 2.

4 - Instale la campana en el armario y asegúrese de que los 2 muelles laterales F están conectados correctamente. Fije la campana al armario con el destornillador y los tornillos M correspondientes y apriételes hasta que el dispositivo quede firmemente apoyado contra el armario (Fig. 4, etapa 2).

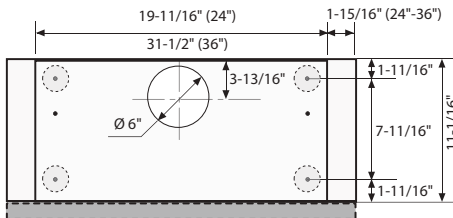
5 - Fije la campana al estante de soporte superior como se indica en la Fig. 5, etapa 6. - Una vez que haya fijado la campana al armario, ajuste el espaciador L con los tornillos P para llenar el hueco entre la campana y la pared posterior. (Fig. 4, etapa 5).

**IMPORTANTE: la campana se debe fijar a los montantes de la pared o con anclajes con capacidad para 75 libras.**

2



24" - 36"



30"

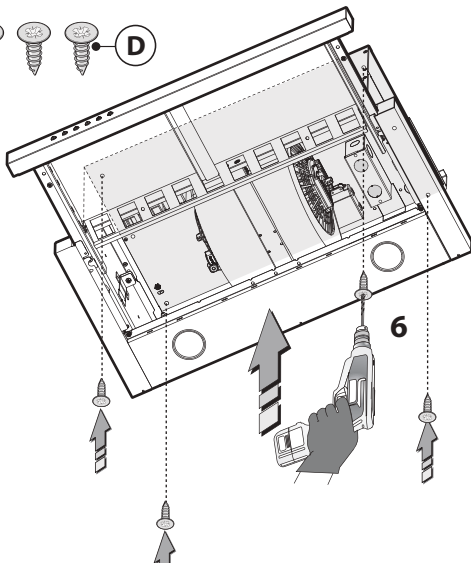
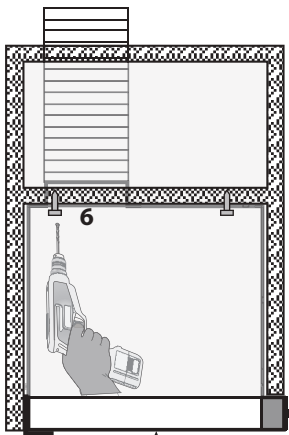
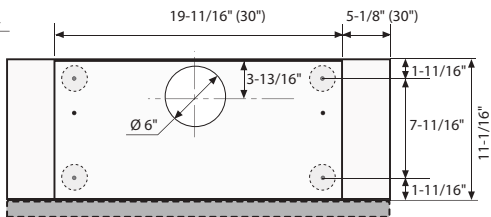


Fig.5

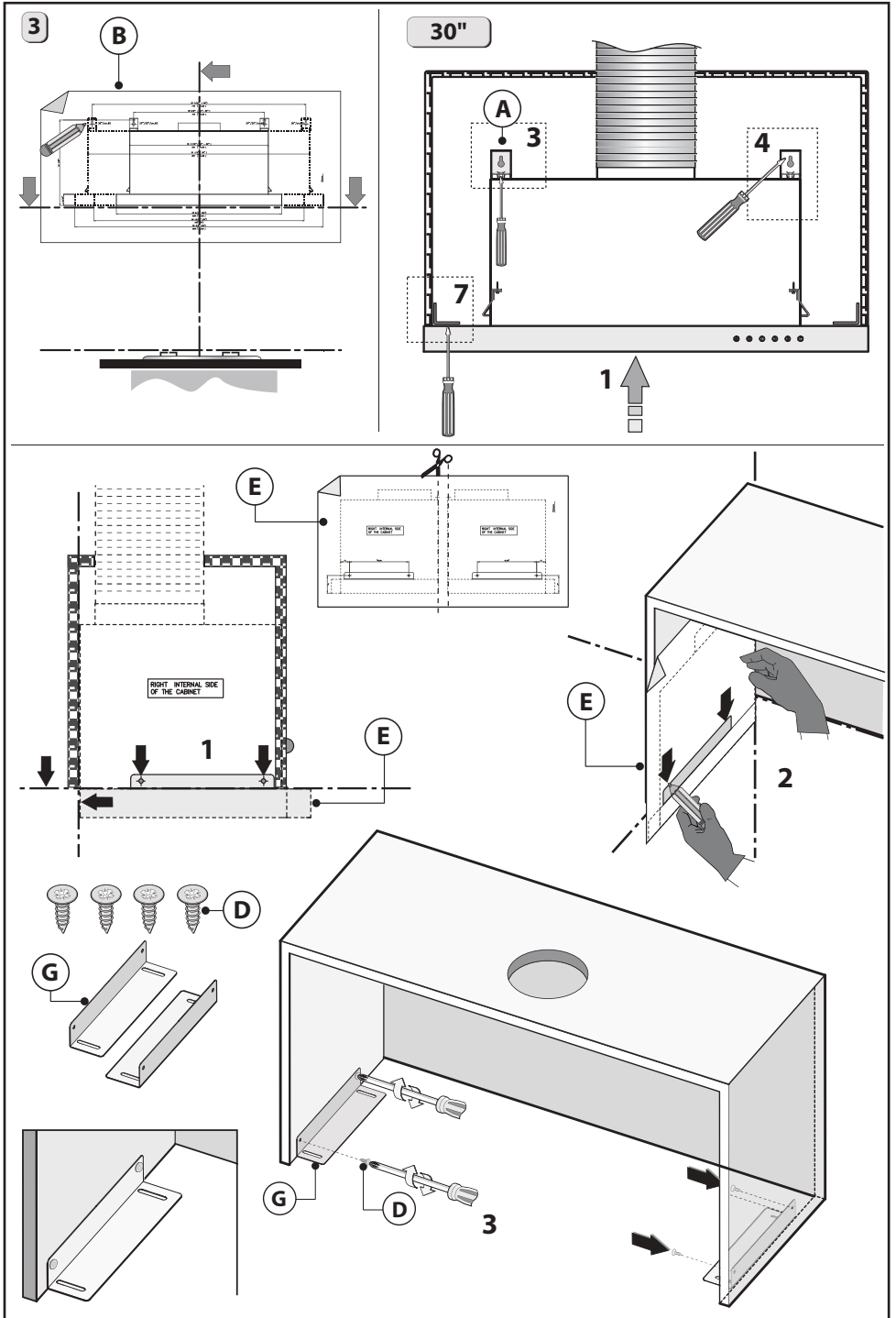
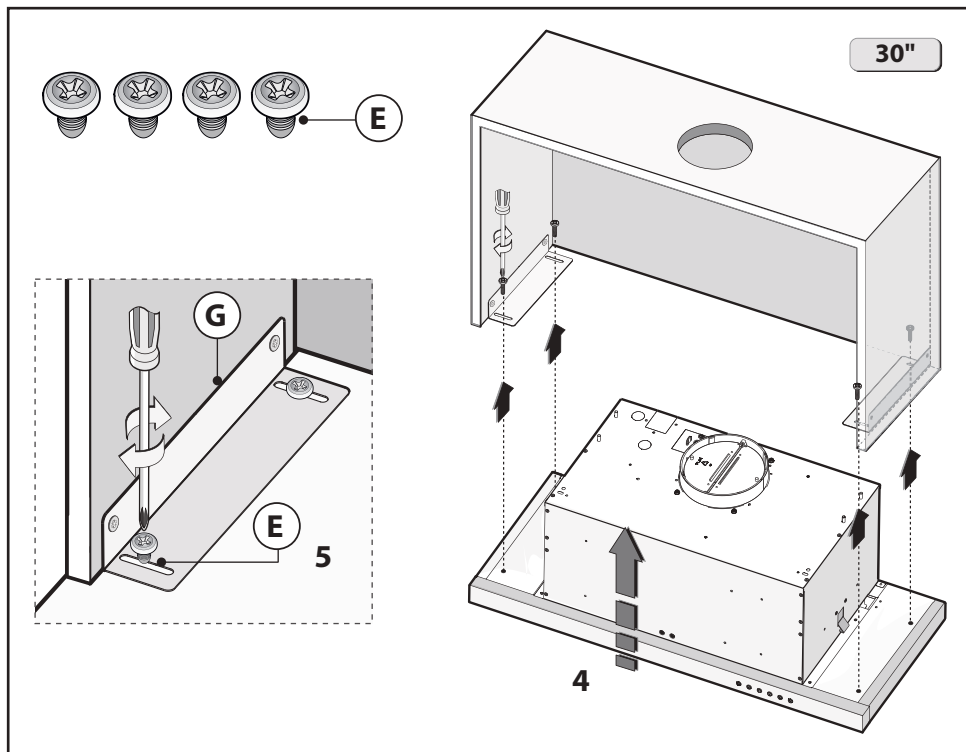


Fig.6



**Fig.6**

**3. SÓLO PARA CAMPANAS DE 30": INSTALACIÓN DE LA CAMPANA EN LA PARTE INFERIOR DEL ARMARIO DE PARED MEDIANTE LOS SOPORTES METÁLICOS SUMINISTRADOS.**

Este modelo incluye la instalación lateral en el armario utilizando 2 soportes B (Fig. 6 además de las etapas 3 y 4, indicadas en la Fig. 4).

1 - Coloque la plantilla B sobre el armario teniendo en cuenta las medidas indicadas en las Figs 1 y 2 y la distancia mínima desde la superficie de cocción.- Marque las referencias para fijar los soportes A al armario , como se indica en la Fig. 6.

2 - Coloque la segunda plantilla E en el lateral del armario y asegúrese de que la línea coincide con la trazada en la Fig. 6, etapa 1.

3 - Marque y taladre los 4 agujeros de fijación (Fig. 6, etapa 2).

- Fije los 2 soportes G al armario con los 4 tornillos D (Fig. 6, etapa 3).

- Fije la campana al soporte G con los 4 tornillos E (Fig. 6, etapas 4 y 5).

4 - Retire la clavija Y del soporte A. (La clavija puede desecharse). A continuación, coloque la pieza X en la ranura del soporte A, como se indica en la Fig. 4, etapa 3.

- Haga coincidir los tornillos C con la arandela L y fije el soporte A al armario como se indica en la Fig. 4, etapa 3.1. Procure no apretar completamente los tornillos C antes de que el soporte alcance firmemente el armario (Fig. 4, etapa 3.2). Después de cualquier ajuste, apriete el soporte al cuerpo (Fig. 4, etapa 3.3).

- Fije el tornillo D al armario como se indica en la Fig. 4 , etapa 4.
- Una vez que haya fijado la campana al armario, ajuste el espaciador L con los tornillos P para que el aparato quede alineado con la parte posterior del armario (Fig. 4, etapa 5).

**IMPORTANTE: la campana se debe fijar a los montantes de la pared o con anclajes con capacidad para 75 libras.**



# ALIMENTACIÓN:

**IMPORTANTE** (se ruega leer atentamente)

## **ADVERTENCIA:**

PARA GARANTIZAR SU SEGURIDAD, EL APARATO DEBE CONECTARSE A TIERRA.

Antes de comenzar la instalación, apague la energía en el panel de servicio. No utilice alargadores y tomas de adaptación con este equipo. Respete los códigos nacionales sobre la seguridad eléctrica o los códigos y reglamentos locales correspondientes.


### **Alimentación eléctrica:**

Esta campana de ventilación se debe alimentar con corriente de 120 V, 60 Hz y se debe conectar a una red independiente, con una puesta a tierra adecuada, protegida con interruptores automáticos de 15 o 20 amperios o fusibles retardados.

- Cable de dos hilos con puesta a tierra.
- Si la alimentación eléctrica no está en conformidad con las indicaciones de arriba, contacte con un electricista antes de continuar.
- Coloque los cables domésticos lo más cerca posible de la instalación, en el techo o en la pared de soporte. Consulte las posiciones de los cables en la página 66.
- Conecte los cables de la campana a los cables domésticos en conformidad con los códigos locales.

### **Instrucciones para la puesta a tierra:**

El conductor para la puesta a tierra se debe conectar a un sistema de cableado fijo con puesta a tierra, o bien a un borne o conductor de tierra en la campana.

 **ADVERTENCIA:** Una instalación incorrecta del conductor de tierra de los equipos puede comportar riesgos de descarga eléctrica. En caso de dudas sobre la puesta a tierra correcta de la campana, consulte con un electricista o con un encargado de la asistencia.

## 2. CONEXIÓN ELÉCTRICA:

• **Conexión a la alimentación eléctrica para conectar el aparato al red de alimentación eléctrica, sigue las indicaciones de la:**

**Fig.7:**

**NEGRO = L** línea

**BLANCO = N** neutro

**VERDE / AMARILLO = G** tierra

- Se debe instalar un interruptor bipolar de una medida apropiada que permita que la campana se desconecte a la alimentación eléctrica.

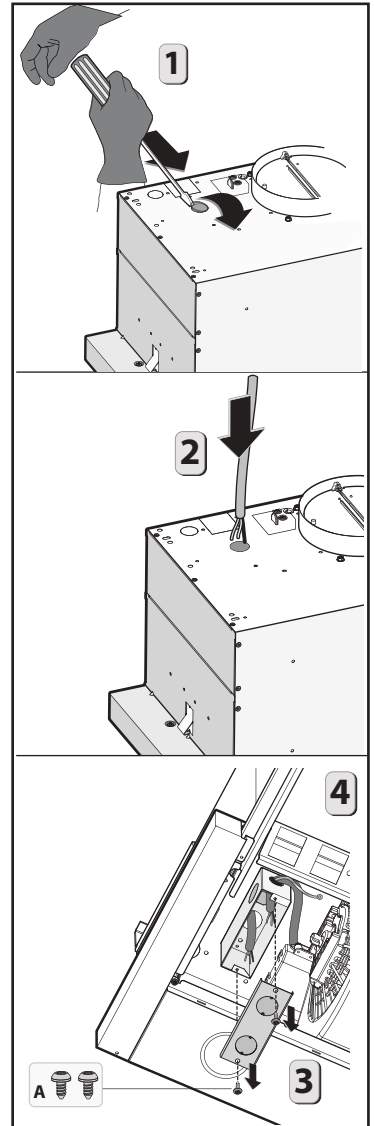
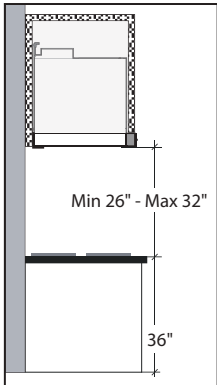
- Conecte el red eléctrico a la caja de cableado utilizando componentes homologados.

- Realice la conexión eléctrica en conformidad con las disposiciones de la norma nacional (ANSI/NFPA 70-1999).

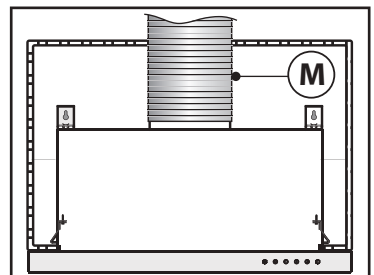
- Introduzca los cables dentro de la caja, luego ciérrela con la tapa fijándola con los tornillos precedentemente quitados. El aparato debe ser instalado a una altura mínima de 26" sobre los hornos eléctricos, y de 32" en caso se usen hornos a gas o combinados. Si se utiliza un conducto compuesto de 2 partes, la parte superior debe ser colocada al externo de la inferior. No conecte el conducto de aspiración del aire de la campana a lo que se utiliza para aspirar el aire caliente o humo de otros electrodomésticos que no sean eléctricos.

• Para la versión **FILTRANTE** es necesario conectar un conducto metálico para la extracción de aire **M (Fig.8)**, de como mínimo 15" de longitud, a la conexión de salida de aire. El conducto deberá ser colocado en posición vertical, y ser asegurado realizando una apertura en la parte superior del mueble colgante.

## 3. CONEXIÓN DE LOS CONDUCTOS:



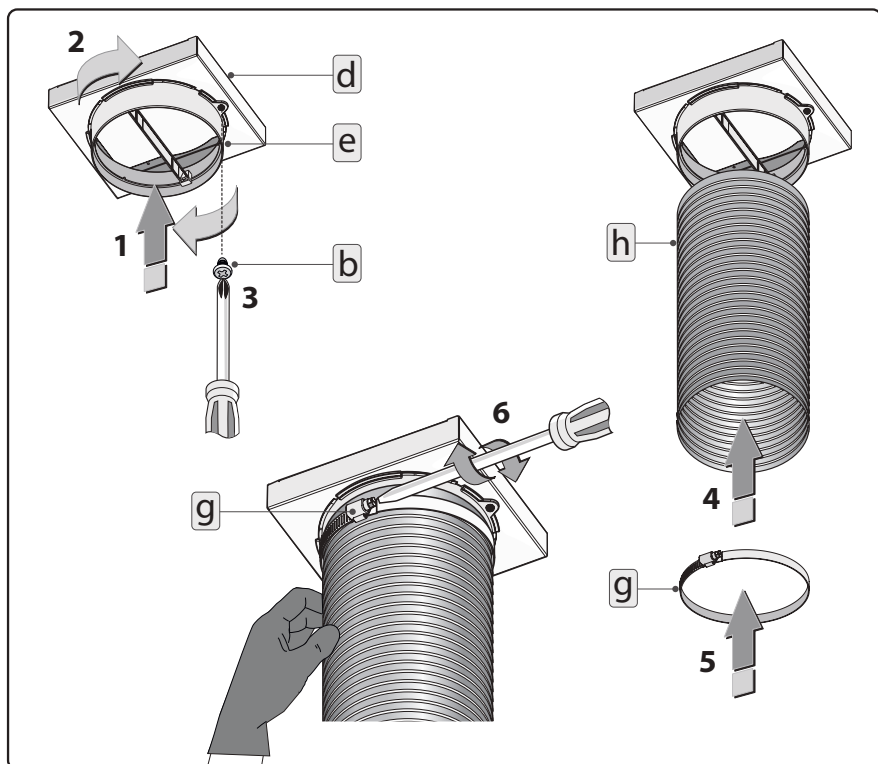
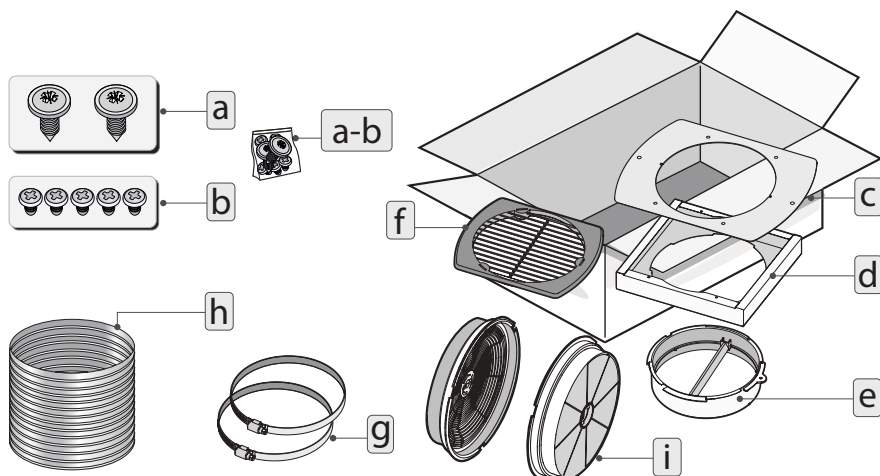
**Fig.7**

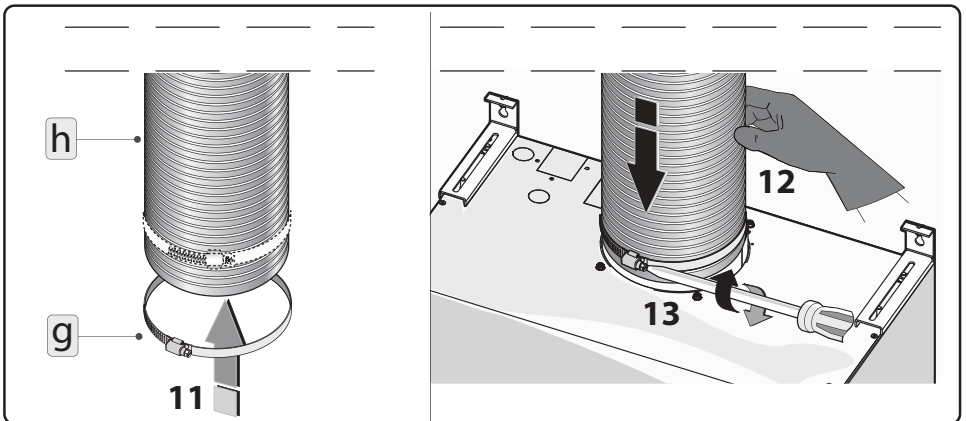
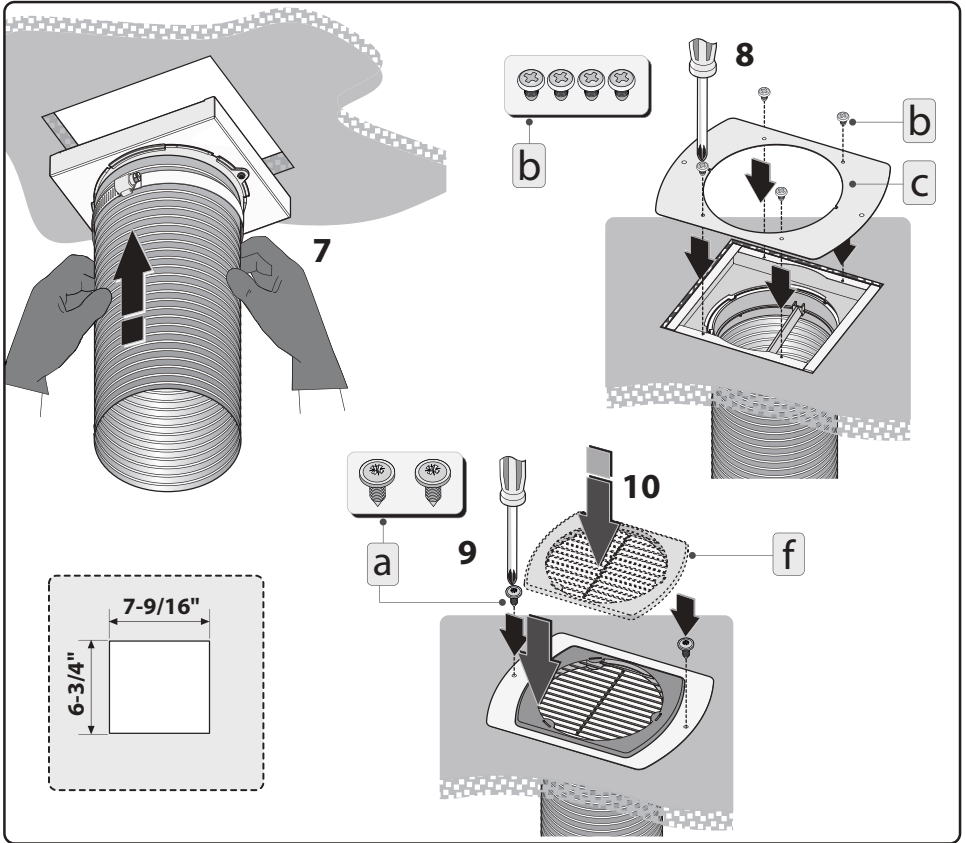


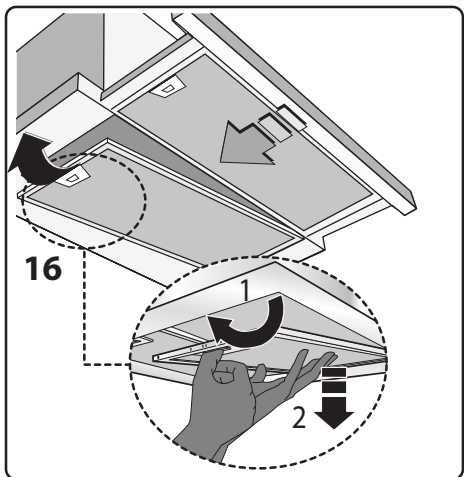
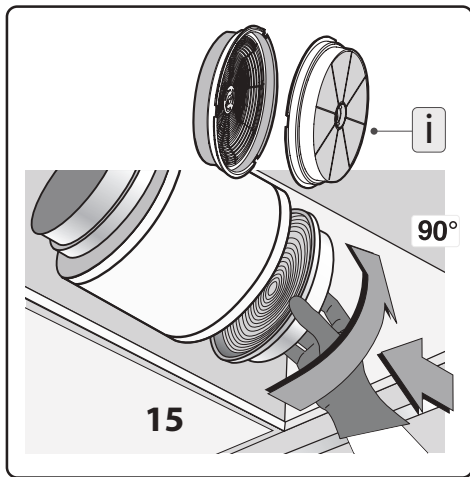
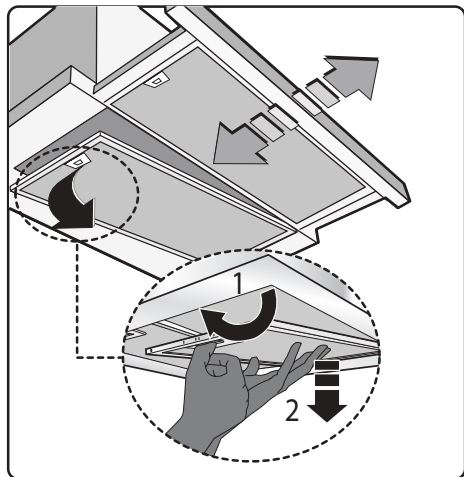
**Fig.8**

## OPCIÓN DE RECIRCULACIÓN SIN CONDUCTO:

**FILTRO DE CARBÓN ACTIVO:** para la instalación del kit, siga las fases indicadas en la hoja adjunta.







## ■ USO

• El aparato está equipado con los siguientes comandos:

**A**= Botón ILUMINACIÓN

**B**= Botón OFF

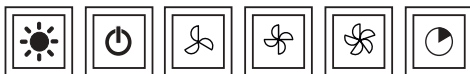
**C**= Botón PRIMERA VELOCIDAD

**D**= Botón SEGUNDA VELOCIDAD

**E**= Botón TERCERA VELOCIDAD

**F**= Botón APAGADO DIFERIDO AUTOMÁTICO 15 MINUTOS (\*)

A B C D E F



(\*) La función “**apagado diferido automático**” retarda la parada de la campana, que continuará a funcionar a la velocidad seleccionada en el momento del encendido de esta función, durante 15 minutos.

### • Saturación de los filtros antigrasa/carbón activo:

- Cuando el botón **A** centellea con una frecuencia de **2 seg.**, los filtros **antigrasa** deben ser lavados.

- Cuando el botón **A** centillea con una frecuencia de **0,5 seg.**, los filtros **de carbón** deben ser sustituidos.

Después que se vuelve a colocar el filtro limpio, es necesario reiniciar la memoria electrónica presionando el botón **A** durante **5 seg.** hasta que deje de centellear.

## ■ MANTENIMIENTO

- Se recomienda poner en funcionamiento el aparato antes de proceder a la cocción de un cualquier alimento. Se recomienda también, dejar funcionar el aparato durante 15 minutos después de haber finalizado la cocción para lograr una evacuación completa del aire viciado.

El buen funcionamiento de la campana depende de la realización de un correcto y constante mantenimiento; se debe prestar una atención particular al filtro antigrasa y al filtro de carbón activo.

- **El filtro antigrasa** cumple la función de retener las partículas de grasa en suspensión en el aire, por lo tanto, puede atascarse en distintos momentos que dependen del

uso del aparato. Limpie frecuentemente los filtros de grasa. Para esto, use una solución detergente. Los filtros de grasa se pueden lavar en el lavavajillas. Los filtros se pueden descolorar si se lavan con detergentes con fosfato o debido a las características del agua local pero esto no afecta su desempeño. Esta descoloración no está cubierta por la garantía.

- **Los filtros de carbón activo** sirven para depurar el aire que se devuelve al ambiente. Los filtros no se pueden lavar o regenerar y deben ser sustituidos cada cuatro meses como máximo. La saturación del carbón activo depende del uso más o menos prolongado del aparato, del tipo de cocina y de la regularidad con la que se realiza la limpieza del filtro antigrasa.

- Limpie frecuentemente la campana, tanto por dentro como por fuera, usando un paño bañado con alcohol de quemar o detergentes líquidos neutros **no** abrasivos.

- La instalación de iluminación ha sido proyectada para ser utilizada durante la cocción y no para su uso prolongado como iluminación general del ambiente. El uso prolongado de la iluminación disminuye notablemente la duración media de las lámparas.

- **Limpieza de la campana:**

El acero inoxidable es uno de los materiales que se mantienen limpios con mayor facilidad. Un cuidado regular ayudará a mantener las características estéticas del acero inoxidable. Sugerencias para la limpieza:

- Es suficiente utilizar agua caliente con jabón o detergente.

- Después de la limpieza enjuague con agua. Seque con un paño seco y limpio para quitar los halos.

- Si hay decoloraciones o fuertes incrustaciones, utilice un detergente doméstico no abrasivo o un polvo para el acero con un poco de agua y un paño suave.

- En caso de suciedad difícil de eliminar, utilice un raspador de plástico o un cepillo suave con detergente y agua. Frote ligeramente en la misma dirección de las líneas de pulido o del "grano" del acabado de acero inoxidable. No frote demasiado para no arruinar la superficie.

- **NO** deje las incrustaciones durante demasiado tiempo en la campana.

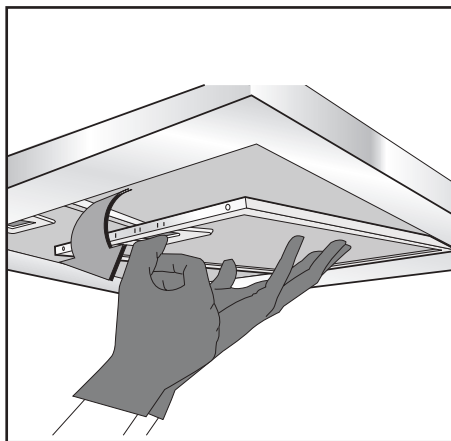


Fig.9

- **NO** utilice estropajos o cepillos de acero. Sobre la superficie podrían adherirse partículas de acero con la consiguiente formación de herrumbre.

- **NO** deje soluciones salinas, desinfectantes, lejía o detergentes en contacto con el acero inoxidable durante un tiempo excesivamente largo. Algunos de estos productos contienen sustancias químicas que podrían ser dañinas. Enjuague con agua y seque con un paño limpio.

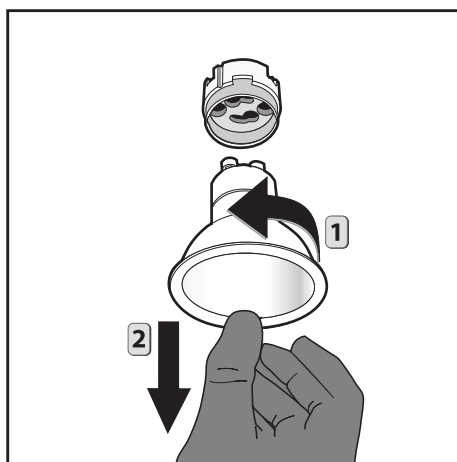
Las superficies pintadas se deben limpiar con agua caliente y un detergente neutro.

• **Sustitución de los paneles de aluminio:**

Para cambiar los paneles de aluminio es suficiente tirar de la manija como se indica en la **Fig.9**.

• **Sustitución de las bombillas:**

Para sustituir las bombillas, gire la bombilla en el sentido antihorario como se muestra en la ilustración. Sustituirlas por bombillas de mismo tipo. (LAMPARA LED 5W GU10)

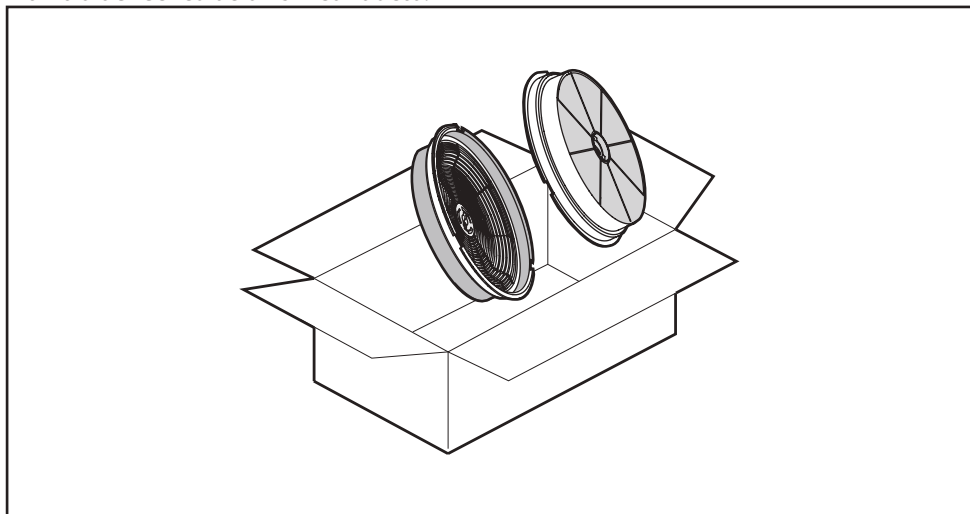




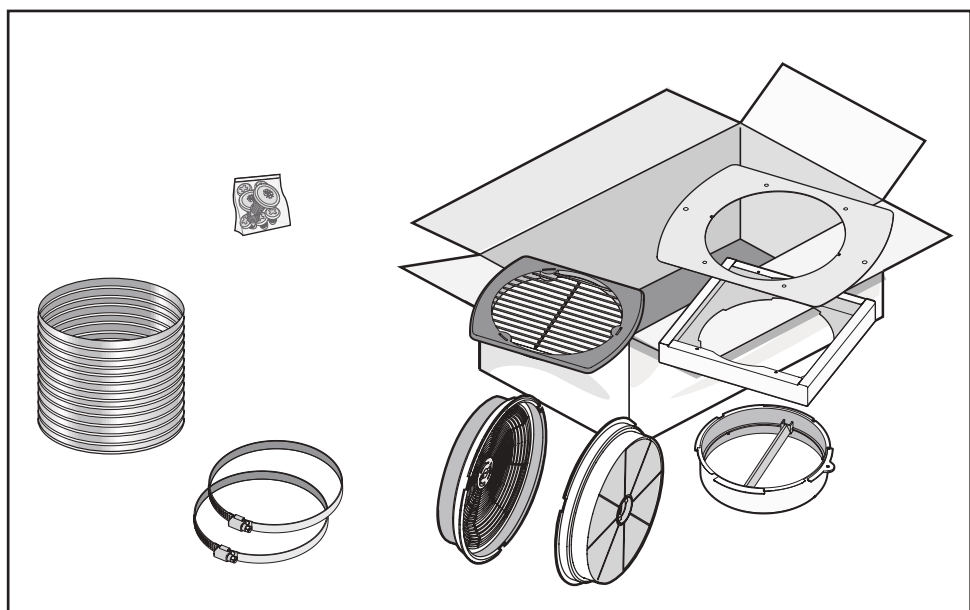
## OPCIONES Y ACCESORIOS:

---

Kit filtro de recirculación sin conducto.



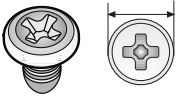
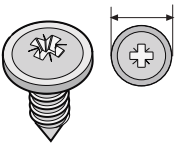
Kit filtro de recirculación sin conducto

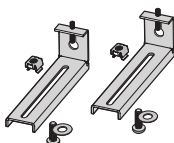
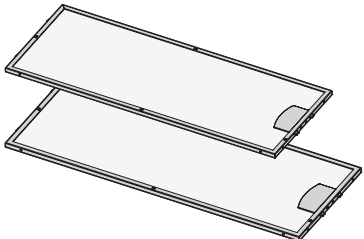


## PREPARACIÓN PARA LA INSTALACIÓN:

### Controle los elementos para la instalación:

Ubique el paquete de ferretería embalado con la campana y verifique los contenidos.

TIPO		DESCRIPCIÓN	N°
A		1/8" x 1/4"	3
B		3/16" x 9/16"	4

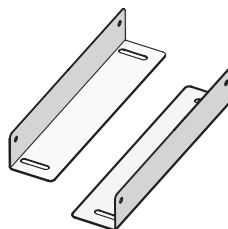
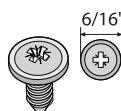
Estribos de regulación	Filtros de aluminio
	

Los estribos de fijación laterales al mueble se suministran sólo para el modelo 30"

1/8" x 1/4" N°4

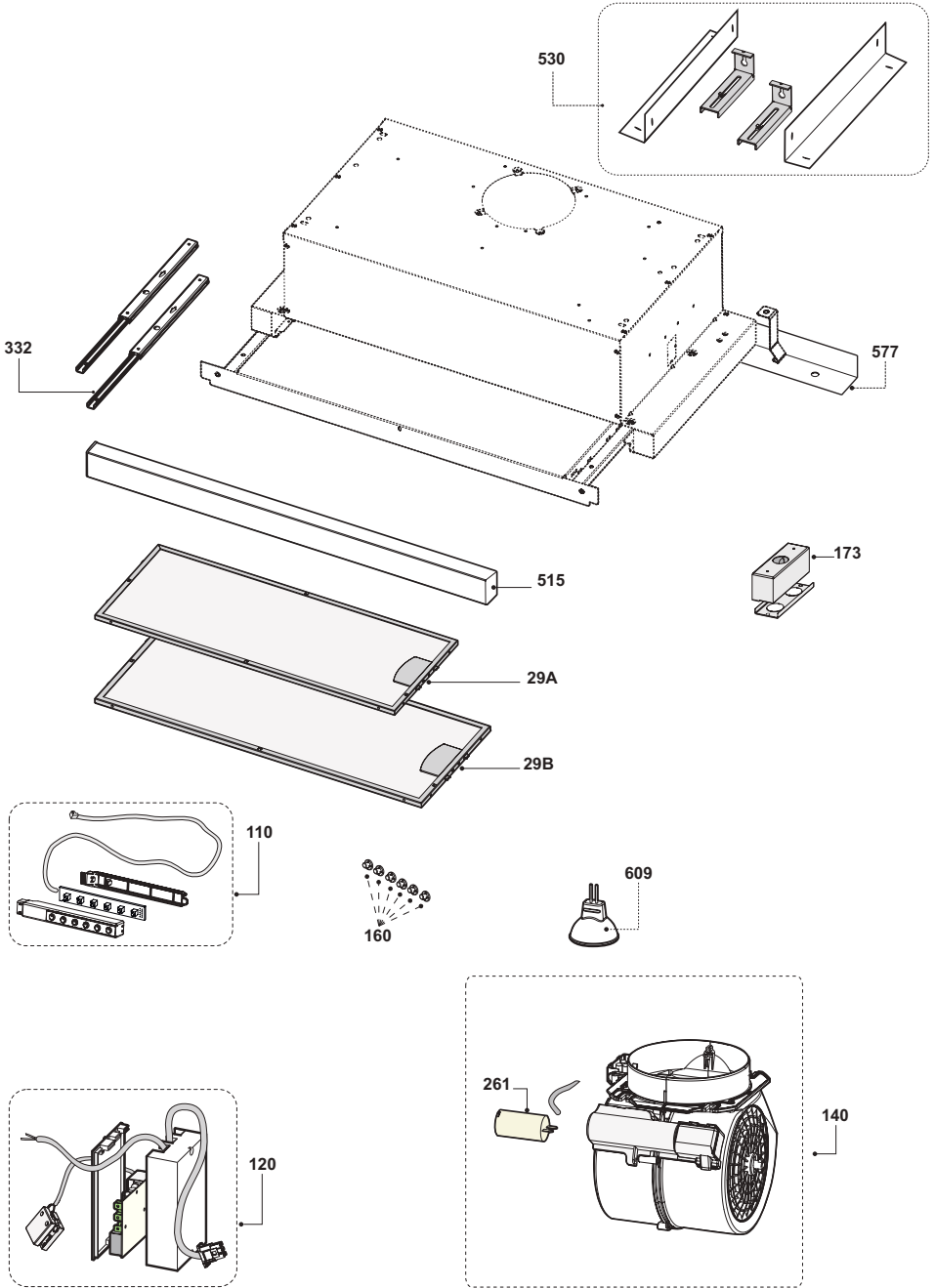


3/16" x 9/16"



estribos de fijación laterales al mueble N°2

24" - 30" - 36"



Spare part list			Model		
Pos	Broan Part #	Description	EBS1244SS	EBS1304SS	EBS1364SS
			Qty	Qty	Qty
29A	S1104811	GREASE FILTER 24" & 30"	1	1	
29B	S1104812	GREASE FILTER 24" & 30"	1	1	
29A	S1104813	GREASE FILTER 36"			2
29B	S1104814	GREASE FILTER 36"			2
110	S1104816	Controls Assembly	1	1	1
120	S1104817	Electrical Assembly	1	1	1
140	S1104818	Blower Assembly	1	1	1
160	S1104819	Buttons Kit	1	1	1
173	S1104820	Junction Box	1	1	1
261	S1104821	Capacitor	1	1	1
322	S1104822	Guide Rails	1	1	1
515	S1105157	Front panel 24"	1		
515	S1104823	Front panel 30"		1	
515	S1105158	Front panel 36"			1
577	S1105155	Spacer 24"	1		
577	S1104824	Spacer 30"		1	
577	S1105156	Spacer 36"			1
530	S1104825	Mounting Bracket 24", 30" & 36"	1	1	1
609	S1104826	GU10 LED Lamp	1	1	1
---	S1104970	Ductless recirculation filters	1	1	1
---	S1104971	Ductless recirculation Kit	1	1	1

Liste des pièces de service			Modèle		
Pos	Broan Part n.	Description	EBS1244SS	EBS1304SS	EBS1364SS
			Cant	Cant	Cant
29A	S1104811	Filtres à graisses 24" & 30"	1	1	
29B	S1104812	Filtres à graisses 24" & 30"	1	1	
29A	S1104813	Filtres à graisses 36"			2
29B	S1104814	Filtres à graisses 36"			2
110	S1104816	Ensemble boutons	1	1	1
120	S1104817	Boite électrique	1	1	1
140	S1104818	Bloc ventilateur	1	1	1
160	S1104819	Kit de boutons	1	1	1
173	S1104820	Boite de jonction	1	1	1
261	S1104821	Condensateur	1	1	1
322	S1104822	Guides	1	1	1
515	S1105157	Panneau avant 24"	1		
515	S1104823	Panneau avant 30"		1	
515	S1105158	Panneau avant 36"			1
577	S1105155	Espaceur 24"	1		
577	S1104824	Espaceur 30"		1	
577	S1105156	Espaceur 36"			1
530	S1104825	Support de montage	1	1	1
609	S1104826	Module DEL GU10	1	1	1
---	S1104970	Filtres de recirculation	1	1	1
---	S1104971	Kit pour recirculation	1	1	1

Lista de partes de repuesto			Modelo		
Pos	Broan Part #	Descripción	EBS1244SS	EBS1304SS	EBS1364SS
			Qty	Qty	Qty
29A	S1104811	Filtro de grasa 24 pulg. & 30 pulg.	1	1	
29B	S1104812	Filtro de grasa 24 pulg. & 30 pulg.	1	1	
29A	S1104813	Filtro de grasa 36 pulg.			2
29B	S1104814	Filtro de grasa 36 pulg.			2
110	S1104816	Conjunto de control	1	1	1
120	S1104817	Conjunto eléctrico	1	1	1
140	S1104818	Conjunto del ventilador	1	1	1
160	S1104819	Kit de botones	1	1	1
173	S1104820	Caja de conexiones	1	1	1
261	S1104821	Condensador	1	1	1
322	S1104822	Guías	1	1	1
515	S1105157	Panel frontal 24 pulg.	1		
515	S1104823	Panel frontal 30 pulg.		1	
515	S1105158	Panel frontal 36 pulg.			1
577	S1105155	Espaciador 24 pulg.	1		
577	S1104824	Espaciador 30 pulg.		1	
577	S1105156	Espaciador 36 pulg.			1
530	S1104825	Soporte de montaje	1	1	1
609	S1104826	Módulo LED	1	1	1
---	S1104970	Filtros de recirculación	1	1	1
---	S1104971	Kit de recirculación	1	1	1



