

# BROAN® *Elite*



## EW43 MODEL

Elegant clean lines form to create a sophisticated contemporary design that's perfect for today's modern kitchens. Quiet operation and bright LED lighting enhances your cooking experience, while the sleek 3-speed capacitive touch control makes operation and clean up easy.

### CONTEMPORARY DESIGN

- 3-speed 400 CFM performant blower, HVI\* certified
- Quiet range hood offering a sound level of 1.5 sones at low speed
- Two high efficiency micro filters, easy to clean featuring a quick-release latch for easy removal
- One built-in LED module provide an even lighting over the cooktop
- Use non-duct recirculation kit and filters ARKEW43 for a non-ducted installation (sold separately)
- Use airflow reducer ARP64\*\* to reduce airflow to 300 CFM (sold separately)
- Ducted/non-ducted telescopic flue extension accommodates 8' to 9' ceiling heights. Flue extensions available to accommodate ceiling heights from 9' to 10'

### SPECIFICATIONS

| WIDTH | MODEL       | COLOR                 | VOLTS | AMPS | CFM | SONES (MIN./MAX.) | DUCTING    |
|-------|-------------|-----------------------|-------|------|-----|-------------------|------------|
| 24"   | EW4324SS    | STAINLESS STEEL       | 120   | 1.53 | 400 | 1.5/6.5           | 6 IN ROUND |
| 30"   | EW4330SS    | STAINLESS STEEL       | 120   | 1.53 | 400 | 1.5/6.5           | 6 IN ROUND |
| 30"   | EW4330BLS** | BLACK STAINLESS STEEL | 120   | 1.53 | 400 | 1.5/6.5           | 6 IN ROUND |
| 36"   | EW4336SS    | STAINLESS STEEL       | 120   | 1.53 | 400 | 1.5/6.5           | 6 IN ROUND |
| 36"   | EW4336BLS** | BLACK STAINLESS STEEL | 120   | 1.53 | 400 | 1.5/6.5           | 6 IN ROUND |

### OPTIONS

|             |  |
|-------------|--|
| S99010476   | REPLACEMENT FILTERS 24 IN AND 30 IN          |
| S99010477   | REPLACEMENT FILTERS 36 IN                    |
| S99010473   | CHARCOAL REPLACEMENT FILTERS 24 IN AND 30 IN |
| S99010474   | CHARCOAL REPLACEMENT FILTERS 36 IN           |
| ARKEW43     | NON-DUCT RECIRCULATION KIT                   |
| ARP64**     | AIRFLOW REDUCER                              |
| AEEW43SS    | FLUE EXTENSION STAINLESS STEEL               |
| AEEW43BLS** | FLUE EXTENSION BLACK STAINLESS STEEL         |

\*\*Availability to confirm



STAINLESS STEEL



BLACK STAINLESS STEEL



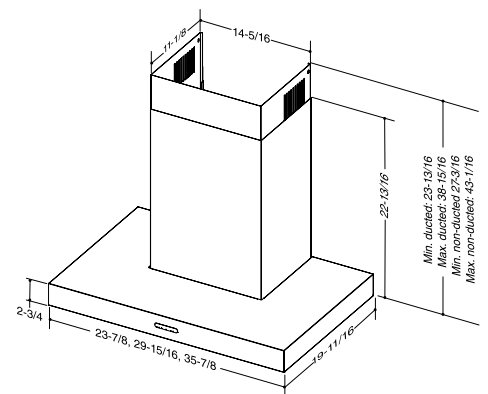
3-SPEED TAP-TOUCH CONTROL



2-LEVEL LIGHTING



TWO HIGH EFFICIENCY MICRO FILTERS



1-877-896-1119

[www.broan.ca](http://www.broan.ca)

Specifications subject to change without notice.



\*THE HVI (HOME VENTILATING INSTITUTE) CERTIFIES THE PERFORMANCE OF NORTH AMERICAN HOME VENTILATING PRODUCTS. IF A RANGE HOOD IS NOT HVI CERTIFIED, THERE ARE NO GUARANTEES REGARDING ITS PERFORMANCE.