

# BROAN® *Elite*



## EW43 MODEL

Elegant clean lines form to create a sophisticated contemporary design that's perfect for today's modern kitchens. Quiet operation and bright LED lighting enhances your cooking experience, while the sleek 3-speed capacitive touch control makes operation and clean up easy.

### CONTEMPORARY DESIGN

- 3-speed 400 CFM performant blower, HVI\* certified
- Quiet range hood offering a sound level of 1.5 sones at low speed
- Two high efficiency micro filters, easy to clean featuring a quick-release latch for easy removal
- One built-in LED module provide an even lighting over the cooktop
- Use non-duct recirculation kit and filters ARKEW43 for a non-ducted installation (sold separately)
- Use airflow reducer ARP64\*\* to reduce airflow to 300 CFM (sold separately)
- Ducted/non-ducted telescopic flue extension accommodates 8' to 9' ceiling heights. Flue extensions available to accommodate ceiling heights from 9' to 10'

### SPECIFICATIONS

WIDTH	MODEL	COLOR	VOLTS	AMPS	CFM	SONES (MIN./MAX.)	DUCTING
24"	EW4324SS	STAINLESS STEEL	120	1.53	400	1.5/6.5	6 IN ROUND
30"	EW4330SS	STAINLESS STEEL	120	1.53	400	1.5/6.5	6 IN ROUND
30"	EW4330BLS**	BLACK STAINLESS STEEL	120	1.53	400	1.5/6.5	6 IN ROUND
36"	EW4336SS	STAINLESS STEEL	120	1.53	400	1.5/6.5	6 IN ROUND
36"	EW4336BLS**	BLACK STAINLESS STEEL	120	1.53	400	1.5/6.5	6 IN ROUND

### OPTIONS

S99010476	REPLACEMENT FILTERS 24 IN AND 30 IN
S99010477	REPLACEMENT FILTERS 36 IN
S99010473	CHARCOAL REPLACEMENT FILTERS 24 IN AND 30 IN
S99010474	CHARCOAL REPLACEMENT FILTERS 36 IN
ARKEW43	NON-DUCT RECIRCULATION KIT
ARP64**	AIRFLOW REDUCER
AEEW43SS	FLUE EXTENSION STAINLESS STEEL
AEEW43BLS**	FLUE EXTENSION BLACK STAINLESS STEEL

\*\*Availability to confirm



STAINLESS STEEL



BLACK STAINLESS STEEL



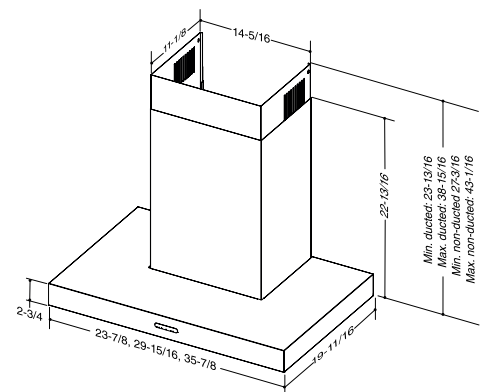
3-SPEED TAP-TOUCH CONTROL



2-LEVEL LIGHTING



TWO HIGH EFFICIENCY MICRO FILTERS



1-877-896-1119

[www.broan.ca](http://www.broan.ca)

Specifications subject to change without notice.



\*THE HVI (HOME VENTILATING INSTITUTE) CERTIFIES THE PERFORMANCE OF NORTH AMERICAN HOME VENTILATING PRODUCTS. IF A RANGE HOOD IS NOT HVI CERTIFIED, THERE ARE NO GUARANTEES REGARDING ITS PERFORMANCE.