

BROAN® *Elite*



EW46 MODEL

Elegant curved glass design provides a stunning focal point for any kitchen. Quiet operation and bright LED lighting enhances your cooking experience, while the sleek 3-speed capacitive touch control makes operation and clean up easy.

ELEGANT DESIGN

- 3-speed 400 CFM performant blower, HVI* certified
- Quiet range hood offering a sound level of 1.5 sones at low speed
- Two high efficiency micro filters, easy to clean featuring a quick-release latch for easy removal
- One built-in LED module provide an even lighting over the cooktop
- Use non-duct recirculation kit and filters ARKEW46 for a non-ducted installation (sold separately)
- Use airflow reducer ARP64** to reduce airflow to 300 CFM (sold separately)
- Ducted/non-ducted telescopic flue extension accommodates 8' to 9' ceiling heights. Flue extensions available to accommodate ceiling heights from 9' to 10'

SPECIFICATIONS

WIDTH	MODEL	COLOR	VOLTS	AMPS	CFM	SONES (MIN./MAX.)	DUCTING
30"	EW4630SS	STAINLESS STEEL	120	1.53	400	1.5/6.5	6 IN ROUND
36"	EW4636SS	STAINLESS STEEL	120	1.53	400	1.5/6.5	6 IN ROUND

OPTIONS

S99010478	REPLACEMENT FILTERS
S99010475	CHARCOAL REPLACEMENT FILTERS
ARKEW46	NON-DUCT RECIRCULATION KIT
ARP64**	AIRFLOW REDUCER
AEW46SS	FLUE EXTENSION STAINLESS STEEL

**Availability to confirm



STAINLESS STEEL



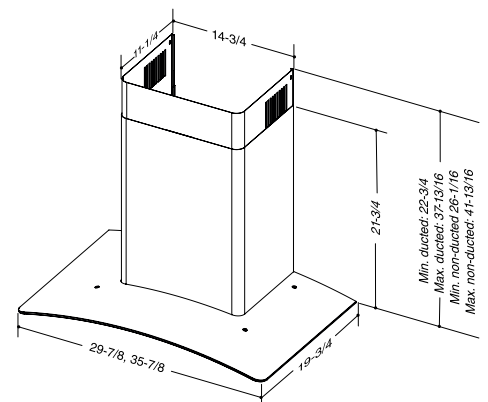
3-SPEED TAP-TOUCH CONTROL

LED_{2L}

2-LEVEL LIGHTING



TWO HIGH EFFICIENCY MICRO FILTERS



*THE HVI (HOME VENTILATING INSTITUTE) CERTIFIES THE PERFORMANCE OF NORTH AMERICAN HOME VENTILATING PRODUCTS. IF A RANGE HOOD IS NOT HVI CERTIFIED, THERE ARE NO GUARANTEES REGARDING ITS PERFORMANCE.

1-877-896-1119

www.broan.ca

Specifications subject to change without notice.