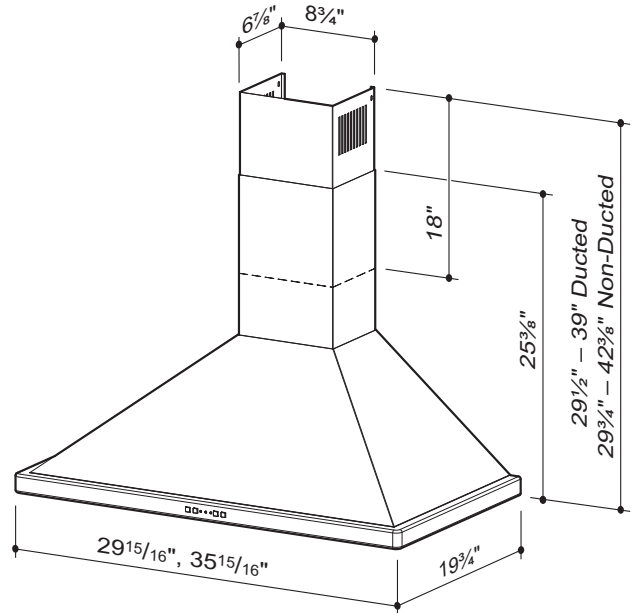


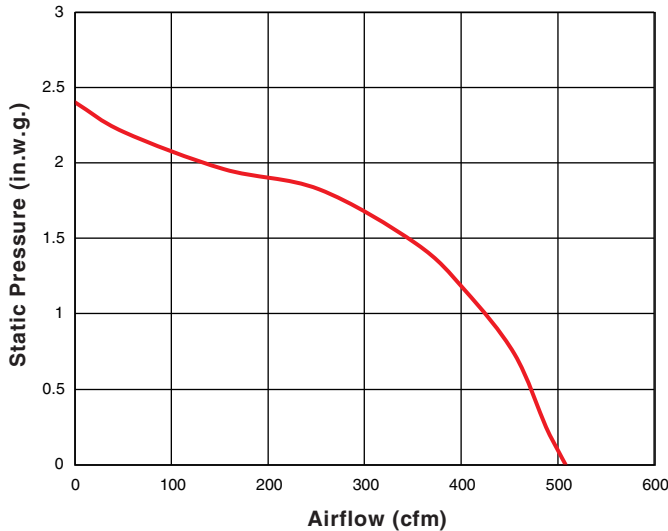
SPECIFICATIONS

MODEL	EW58000 SERIES
VOLTS	120 VAC
HZ	60
AMPS	3.05
CFM (LOW SPEED)	200
CFM (HIGH SPEED)	500
SONES (LOW SPEED)	2.5
SONES (HIGH SPEED)	10.5
DUCTING SIZE	6" ROUND
2 HALOGEN BULBS	35 W, MR16 WITH GU10 BASE
WARRANTY	1 YEAR

DIMENSIONS



AIR FLOW PERFORMANCE



HVI-2100 CERTIFIED RATINGS comply with new testing technologies and procedures prescribed by the Home Ventilating Institute, for off-the-shelf products, as they are available to consumers. Product performance is rated at 0.1 in. static pressure, based on tests conducted in AMCA's state-of-the-art test laboratory. Sones are a measure of humanly-perceived loudness, based on laboratory measurements.



BROAN-NU-TONE CANADA INC., MISSISSAUGA, ONTARIO WWW.BROAN.CA 1-888-882-7626

PROJECT	REMARKS
LOCATION	
MODEL No.	
QTY.	
SUBMITTED BY	
DATE	