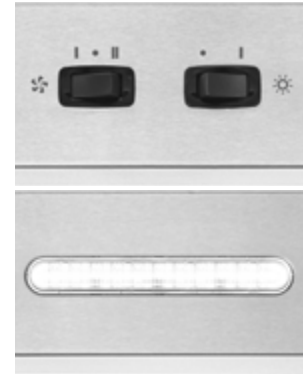


PM250SSP

This dual-speed power pack delivers 250 CFM in a compact size. Smooth surfaces clean easily, and quick-release filters are dishwasher safe. Get a custom appearance while protecting cabinetry with stainless steel liners.



STAINLESS
20-1/2" PM250SSP

- 250 CFM, 8.0 sones, HVI Certified
- Two-speed rocker controls
- Bright LED strip-lighting modules illuminate evenly and are tested in cooking environments to ensure long life without dimming
- 7" round duct adapter
- Easy-to-clean, fully enclosed bottom with dishwasher-safe, aluminum-mesh filter
- Optional non-duct operation using 358NDK non-duct kit and charcoal filter, sold separately
- Works with optional Universal Make-up Air Dampers
- Works with optional stainless LB liners and painted LT liners

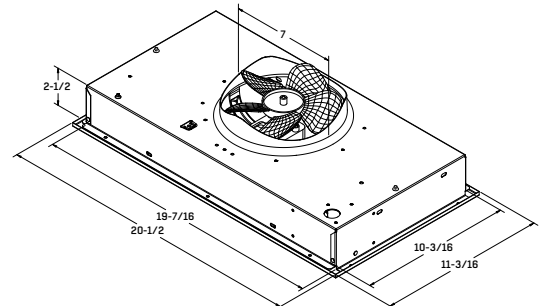


SPECIFICATIONS

| Width | Model | Finish | Volts | Amps | Sones | CFM | Duct |
|---------|----------|-----------------|-------|------|-------|-----|----------|
| 20-1/2" | PM250SSP | Stainless Steel | 120 | 1.1 | 8.0 | 250 | 7" round |

OPTIONAL ACCESSORIES

| Non-Duct Kit | Non-Duct Charcoal Filter | Replacement Aluminum Filter | LED | Make-Up Air Dampers | Fresh Air Inlets | Liners | Backdraft Damper |
|--------------|--------------------------|-----------------------------|----------|----------------------|---------------------|----------------------------|------------------|
| 358NDK | S99010464 | S99010400 | Included | MD6TU, MD8TU, MD10TU | 641FA, 643FA, 610FA | LB30SS, LB36SS, LT30, LT36 | BP87Q |



Broan.com

Broan, 926 W. State Street, Hartford, WI 53027 **800-558-1711**

POWER PACKS