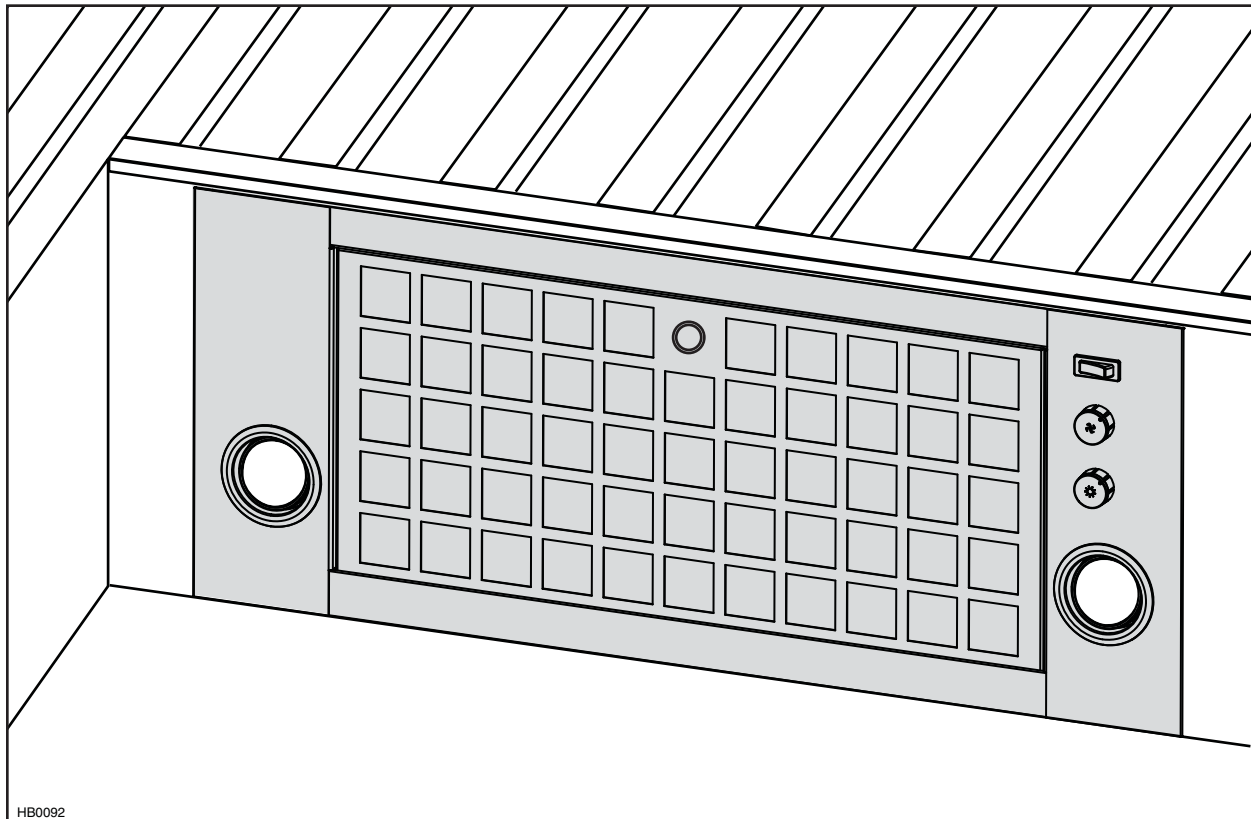


BROAN®



HB0092

MODELS BC2130SS & BC4130SS

⚠ INTENDED FOR DOMESTIC COOKING ONLY ⚠

READ AND SAVE THESE INSTRUCTIONS

INSTALLER: LEAVE THIS MANUAL WITH HOMEOWNER.
HOMEOWNER: USE AND CARE INFORMATION ON PAGES 10 AND 11.

Broan-NuTone Canada Inc.; Mississauga, Ontario www.broan.ca 877-896-1119
www.broan.ca

REGISTER YOUR PRODUCT ONLINE AT: www.broan.com/register



7 72371 10777 9

⚠ WARNING

TO REDUCE THE RISK OF FIRE, ELECTRIC SHOCK OR INJURY TO PERSONS, OBSERVE THE FOLLOWING:

1. Use this unit only in the manner intended by the manufacturer. If you have questions, contact the manufacturer at the address or telephone number listed in the warranty.
2. Before servicing or cleaning unit, switch power off at service panel and lock service disconnecting means to prevent power from being switched on accidentally. When the service disconnecting means cannot be locked, securely fasten a prominent warning device, such as a tag, to the service panel.
3. Installation work and electrical wiring must be done by qualified personnel in accordance with all applicable codes and standards, including fire-rated construction codes and standards.
4. Sufficient air is needed for proper combustion and exhausting of gases through the flue (chimney) of fuel burning equipment to prevent backdrafting. Follow the heating equipment manufacturer's guidelines and safety standards such as those published by the National Fire Protection Association (NFPA) and the American Society for Heating, Refrigeration and Air Conditioning Engineers (ASHRAE) and the local code authorities.
5. When cutting or drilling into wall or ceiling, do not damage electrical wiring and other hidden utilities.
6. Ducted fans must always be vented to the outdoors.
7. Do not use this unit with any additional solid-state speed control device.
8. To reduce the risk of fire, use only metal ductwork.
9. This unit must be grounded.
10. When applicable local regulations comprise more restrictive installation and/or certification requirements, the aforementioned requirements prevail on those of this document and the installer agrees to conform to these at his own expenses.

WARNING - TO REDUCE THE RISK OF A RANGE TOP GREASE FIRE:

- a) Never leave surface units unattended at high settings. Boilovers cause smoking and greasy spillovers that may ignite. Heat oils slowly on low or medium settings.
- b) Always turn hood ON when cooking at high heat or when flambeing food (i.e.: Crêpes Suzette, Cherries Jubilee, Peppercorn Beef Flambé).
- c) Clean ventilating fans frequently. Grease should not be allowed to accumulate on fan, filters or in exhaust ducts.
- d) Use proper pan size. Always use cookware appropriate for the size of the surface element.

⚠ WARNING

TO REDUCE THE RISK OF INJURY TO PERSONS IN THE EVENT OF A RANGE TOP GREASE FIRE, OBSERVE THE FOLLOWING*:

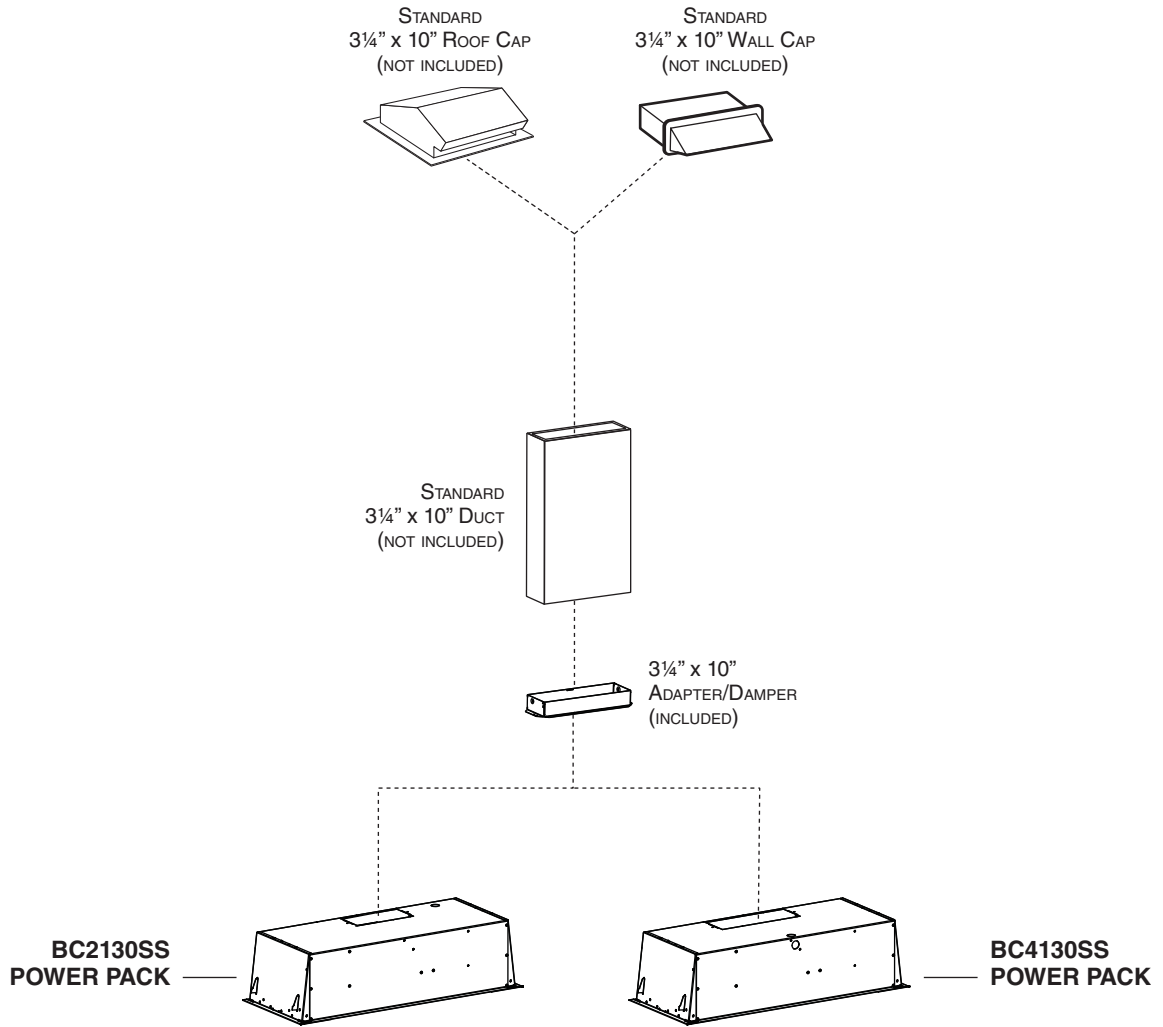
1. SMOTHER FLAMES with a close-fitting lid, cookie sheet or metal tray, then turn off the burner. BE CAREFUL TO PREVENT BURNS. IF THE FLAMES DO NOT GO OUT IMMEDIATELY, EVACUATE AND CALL THE FIRE DEPARTMENT.
2. NEVER PICK UP A FLAMING PAN — You may be burned.
3. DO NOT USE WATER, including wet dishcloths or towels — This could cause a violent steam explosion.
4. Use an extinguisher ONLY if:
 - A. You own a Class ABC extinguisher and you know how to operate it.
 - B. The fire is small and contained in the area where it started.
 - C. The fire department has been called.
 - D. You can fight the fire with your back to an exit.

* Based on "Kitchen Fire Safety Tips" published by NFPA.

CAUTION

1. For indoor use only.
2. For general ventilating use only. Do not use to exhaust hazardous or explosive materials and vapors.
3. To avoid motor bearing damage and noisy and/or unbalanced impellers, keep drywall spray, construction dust, etc. off power unit.
4. Your power pack motor has a thermal overload which will automatically shut off the motor if it becomes overheated. The motor will restart when it cools down. If the motor continues to shut off and restart, have the power pack serviced.
5. The minimum power pack distance above cooktop must not be less than 24". A maximum of 30" above cooktop is recommended for best capture of cooking impurities.
6. Two installers are recommended because of the large size and weight of this unit.
7. To reduce the risk of fire and to properly exhaust air, be sure to duct air outside — Do not exhaust air into spaces within walls or ceiling or into attics, crawl space or garage.
8. Because of the high exhausting capacity of this unit, you should make sure enough air is entering the house to replace exhausted air by opening a window close to or in the kitchen.
9. To reduce the risk of fire and electrical shock, the Broan power pack models BC2130SS and BC4130SS must be installed only with their own built-in blower(s). Other blowers cannot be substituted.
10. Please read specification label on product for further information and requirements.

- BC2130SS & BC4130SS POWER PACK SYSTEM -



HL0133

1. PREPARE THE INSTALLATION

⚠ WARNING

When performing installation, servicing or cleaning the unit, it is recommended to wear safety glasses and gloves.

NOTE: Before proceeding to the installation, check the contents of the box. If items are missing or damaged, contact the manufacturer.

Make sure that the following items are included:

- Power pack
- Accessories:
 - 1 filter
 - 3/4" x 10" Adapter/Damper
 - 2 Shielded halogen bulbs (120 V, 50 W with GU10 base)
 - Bag of parts including: 1 wire clamp, 2 wire connectors, 4 no. 8 x 3/8" screws, 9 no. 8-10 x 1/2" screws, 8 no. 8-32 x 1/4" screws.

Parts sold separately:

- Ducts, elbows, wall and roof caps. Refer to page 3 for a complete list of venting options and model numbers.

NOTE: During installation, protect countertop and/or cooktop.

2. INSTALL DUCTWORK AND ELECTRICAL WIRING

Plan where and how the ductwork will be installed. Access to the top of the hood is preferred for connection of ductwork.

Install 3/4" x 10" ductwork, elbows and roof or wall cap, according to the installation type. Use 2" metal foil duct tape to seal duct joints.

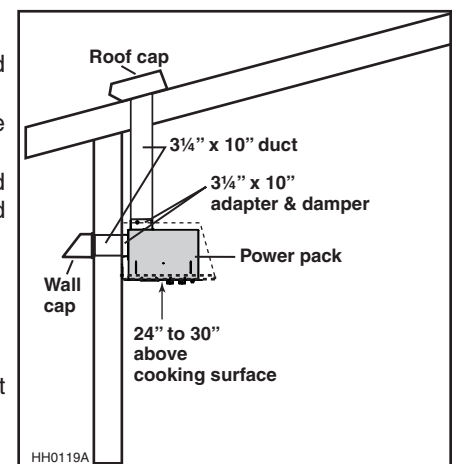
NOTE: Although the horizontal discharge installation is feasible, this installation type should be performed in specific situation only since it requires particular knowledge and technical skills from the installers.

The minimum power pack distance above cooktop must not be less than 24".

A maximum of 30" above cooktop is recommended for best capture of cooking impurities.

Distances over 30" are at the installer and users discretion.

Run 3-wire power supply cable to installation location. Its length should extend at least 4 feet below the bottom of the custom hood.



TYPICAL DUCTWORK

3. CUSTOM HOOD PREPARATION

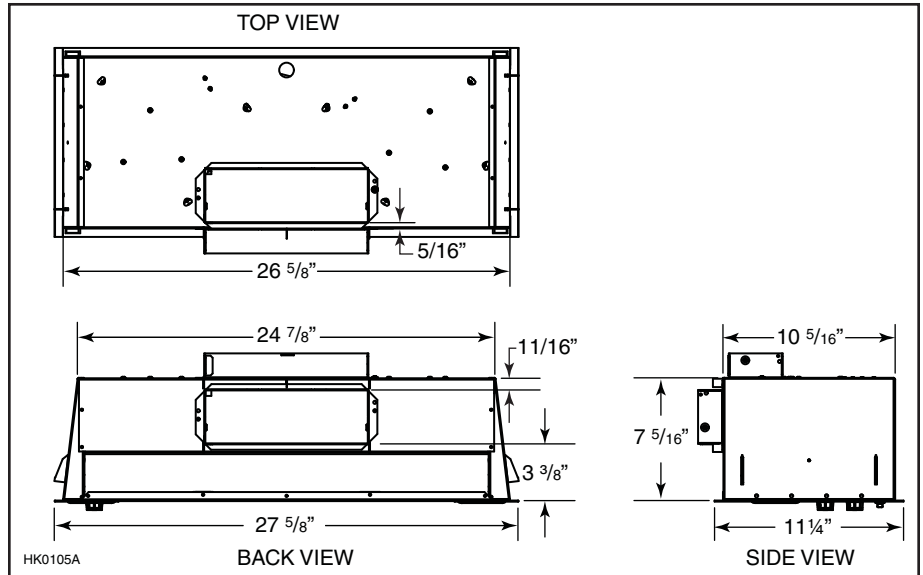
⚠ WARNING

When building a custom hood, always follow all applicable construction codes and standards. The custom hood must be positively secured to wall studs or other wooden framework behind the drywall. Make sure the cabinet is capable of supporting its own weight and the weight of the power pack. Failure to do so may cause personal injury or damage to countertop or cooktop.

The custom hood must be constructed to fit the shape and total weight of the BC2130SS or BC4130SS power pack models. See chart and illustrations for details.

POWER PACK TYPE	TOTAL WEIGHT
SINGLE BLOWER	28 LB.
DUAL BLOWER	34 LB.

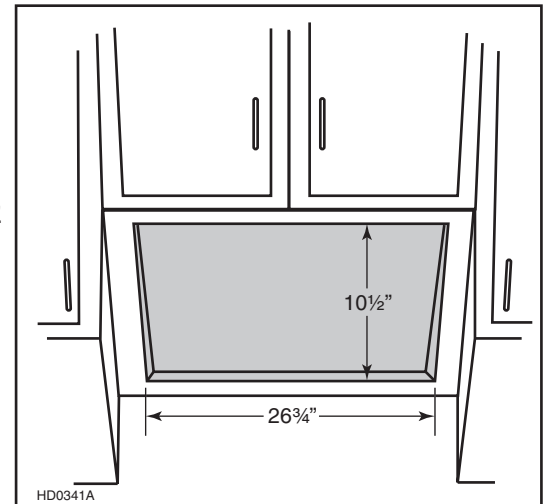
The recommended minimum thickness for the custom hood base is 5/8". The custom hood sides and front thickness are at the installer's discretion.



4. CUT THE HOLE IN CUSTOM HOOD BASE

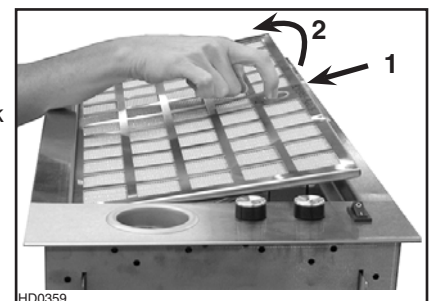
Cut a hole in the bottom of the custom hood, using the dimensions shown at right.

NOTE: The minimum distance from the rearmost cutout edge to the wall should be $\frac{1}{2}$ ".



5. REMOVE FILTER

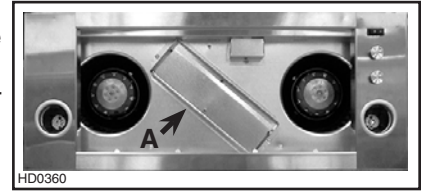
Rest the power pack on a table. Remove tape on filter. Using finger cup, lift filter from power pack by pushing it towards the back (1) and rotate (2), then set filter aside.



6. REMOVE THE ADAPTER/DAMPER

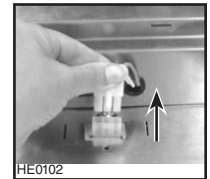
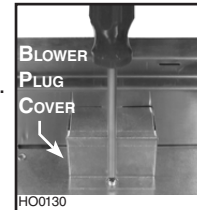
Using a Phillips no. 2 screwdriver, remove both screws retaining the adapter/damper (A) to the power pack inner panel. Set the adapter/damper aside.

NOTE: Though picture at right shows a double blower model, this applies also for single blower model.



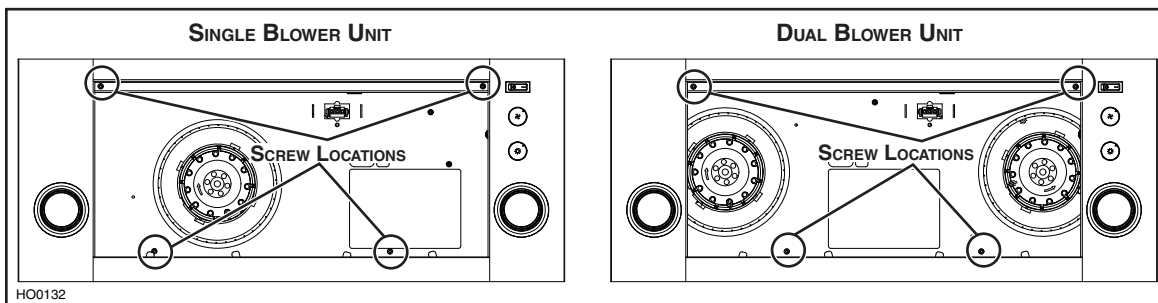
7. UNPLUG THE BLOWER(S)

Using a Phillips no. 2 screwdriver, remove the screw securing the blower plug cover in place. Lift out the cover and set aside. Unplug the blower(s) from the inner panel.



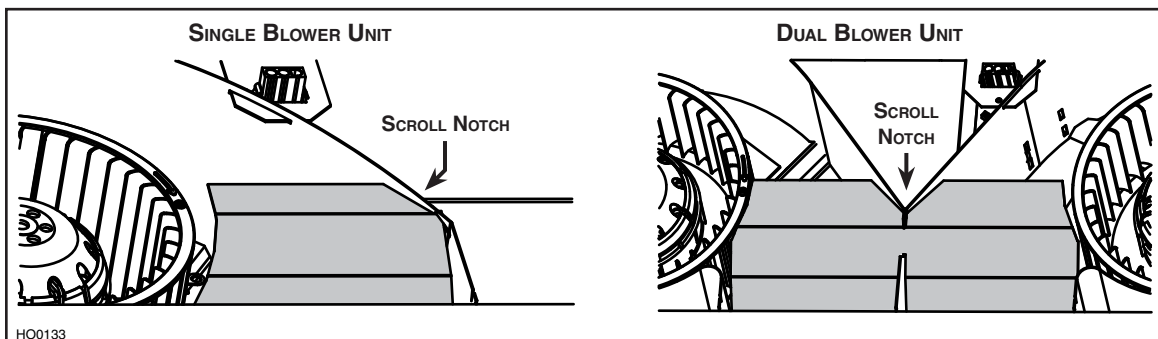
8. REMOVE INNER PANEL

Using a Phillips no. 2 screwdriver, remove 4 screws retaining the inner panel to the power pack. See illustration below for screw locations. Carefully detach the inner panel from the power pack and set aside with its screws.



9. DISCARD THE DEFLECTOR (HORIZONTAL DISCHARGE INSTALLATION ONLY)

For horizontal discharge installation, disengage the deflector from the scroll notch, then lift out and discard the deflector.



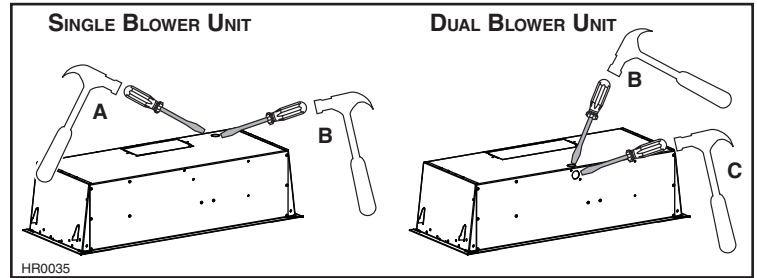
10. REMOVE THE ELECTRICAL KNOCK-OUT

SINGLE BLOWER UNIT

Punch out the electrical knockout hole on back (A) OR on top (B), to the right side of the power pack. Install the wire clamp (included in parts bag).

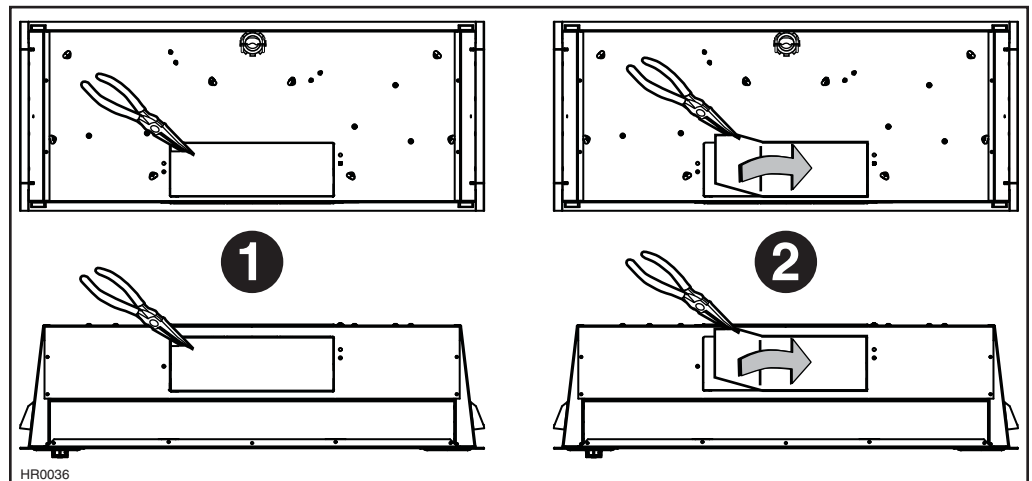
DUAL BLOWER UNIT

Punch out the electrical knockout hole on top (B) OR in front (C) of the power pack.



11. REMOVE THE KNOCK-OUT OPENING

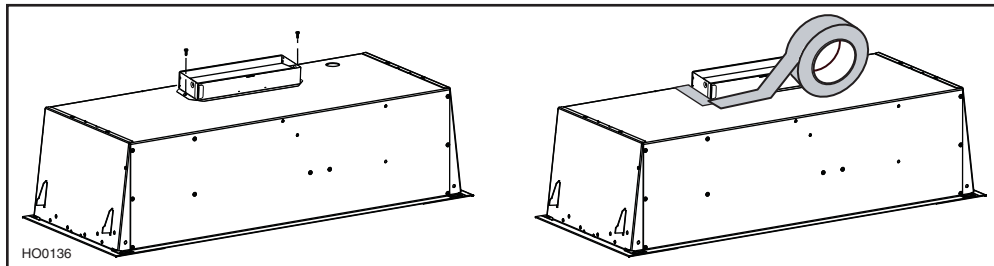
Remove the knockout opening on top (vertical discharge installation) or on back (horizontal discharge installation) of the power pack.



12. INSTALL THE ADAPTER/DAMPER

VERTICAL EXHAUST INSTALLATION

Using 2 no. 8 x 3/8" screws provided in parts bag, secure the adapter to the top of the power pack. Remove tape from damper flap. Seal the adapter to the power pack using metal foil duct tape.



HORIZONTAL EXHAUST INSTALLATION

The adapter/damper will be installed on the back of the power pack once the power pack is mounted in the custom hood. Refer to step 15.

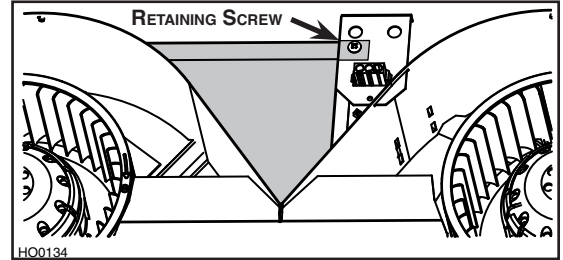
13. CONNECT WIRING

⚠ WARNING

Risk of electric shock. Electrical wiring must be done by qualified personnel in accordance with all applicable codes and standards. Before connecting wires, switch power off at service panel and lock service disconnecting means to prevent power from being switched on accidentally.

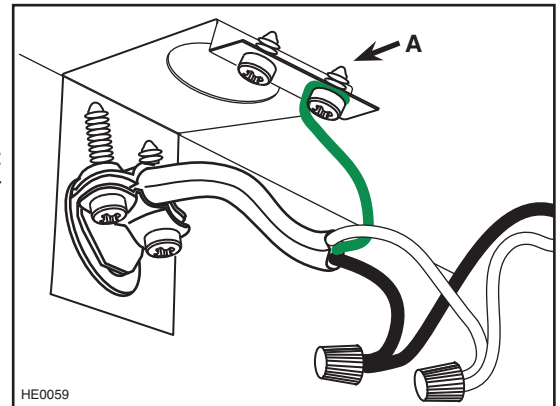
Position the power pack below the installed custom hood.

DUAL BLOWER UNIT: Remove the screw retaining the electrical compartment cover. Lift out the cover and install the wire clamp (included in parts bag). Insert the house wiring cable through the wire clamp and tighten to secure the cable.



SINGLE BLOWER UNIT: Position the power pack below the installed custom hood. Insert the house wiring cable through the wire clamp previously installed in step 10. Tighten the wire clamp to secure the cable.

ALL UNITS: Connect cable using provided wire connectors. Connect wires as follow: BLACK to BLACK, WHITE to WHITE and GREEN or BARE wire under ground screw (A). DO NOT FORGET TO CONNECT THE GROUND.



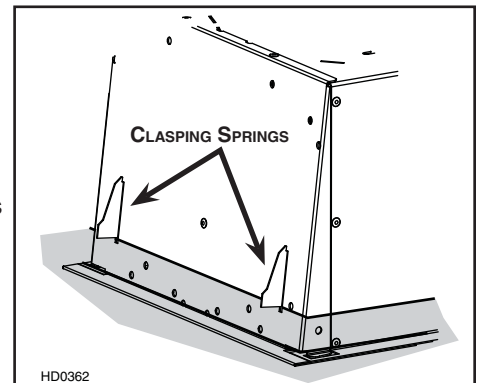
DUAL BLOWER UNIT: Reinstall the electrical compartment cover.

14. INSTALL THE POWER PACK

CAUTION

Take care not to kink ducting or pinch electrical wire when installing the power pack.

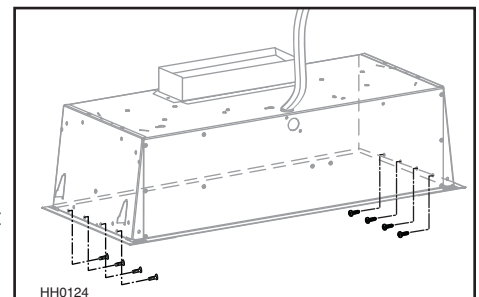
Lift the power pack in custom hood until the bottom of the clamping springs (2 per side) rests on the top of the custom hood base (grey zone in illustration at right).



From inside the power pack, using provided no. 8-10 x 1/2" screws, mount the power pack to the custom hood base. To do so, lift one side until its flange rests on the outer side of the custom hood base and use 2 screws to secure in place. Do the same for the other side, then finalise mounting with 2 other screws for each side. See figure at right for mounting screws specific locations.

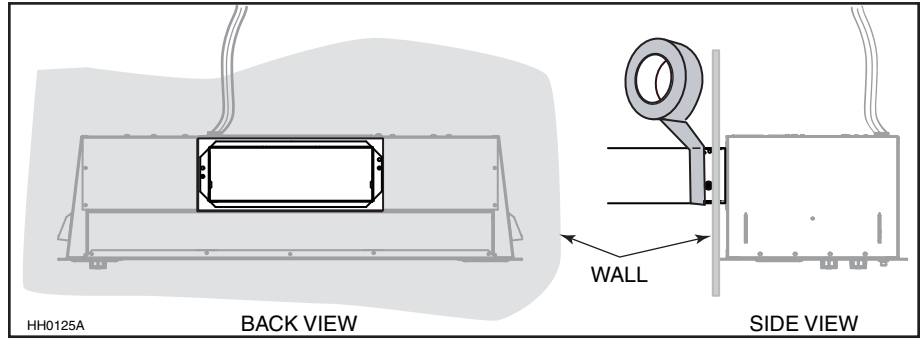
VERTICAL EXHAUST INSTALLATION ONLY

Make sure the adapter/damper enters the ducting and the damper opens freely. Wherever it is possible, seal connections with metal foil duct tape.



15. INSTALL THE ADAPTER/DAMPER ON BACK OF POWER PACK (HORIZONTAL DISCHARGE INSTALLATION ONLY)

From the outside of the wall, using 2 no. 8 x 3/8" screws provided in parts bag, secure the adapter/damper to the back of the power pack. Remove tape from damper flap. Connect ducting to the adapter/damper and seal the joint using metal foil duct tape.

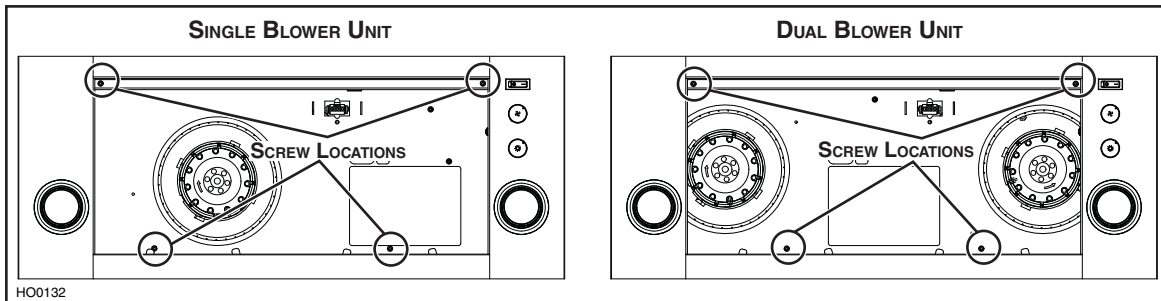


16. REINSTALL INNER PANEL

CAUTION

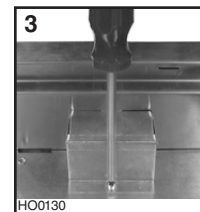
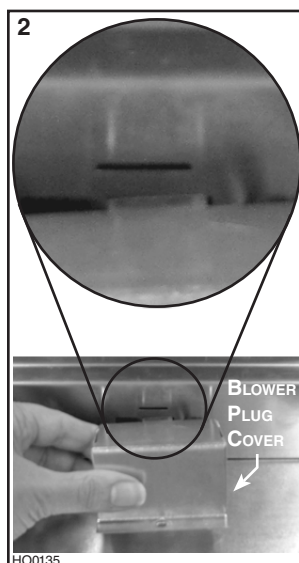
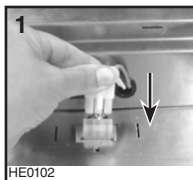
Take care not to pinch wiring when installing inner panel.

Carefully put back in place the inner panel. Using a Phillips no. 2 screwdriver, and screws previously removed in step 8, secure the inner panel to the power pack.



17. PLUG THE BLOWER(S)

1. Plug back the blower(s).
2. Reinstall the blower plug cover in place, by aligning its tab with the slot in power pack panel.
3. Using a Phillips no. 2 screwdriver and the screw previously removed in step 7, secure the plug cover to the power pack.

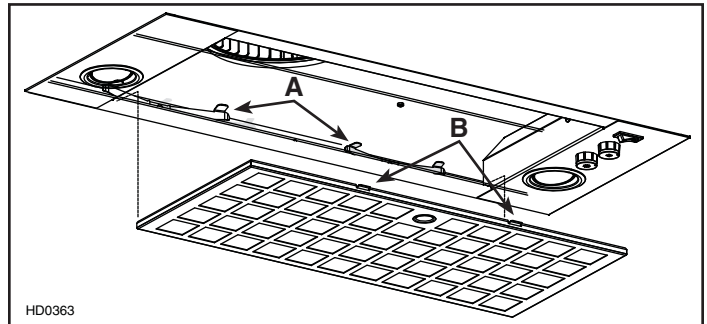


18. REINSTALL FILTER

CAUTION

Remove protective plastic film covering filter before installing it.

1. Rest rear filter edge on filter springs (A) in the power pack.
2. Using the finger cup, tilt up the filter into position. Make sure filter tabs (B) are securely engaged in power pack front edge after installation.



19. LIGHT BULBS

This power pack requires shielded halogen lamps (120 V, 50 W, PAR16 with GU10 base), included.

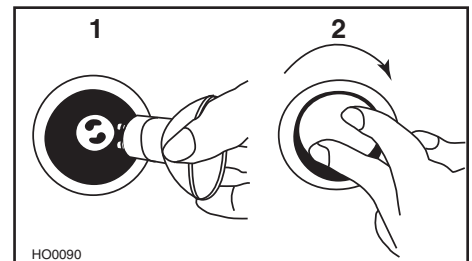
⚠ WARNING

Do not touch lamps during or soon after operation. Burns may occur. In order to prevent the risk of personal injury, only install shielded halogen lamps. Also, never install a cool beam, a dichroic lamp, a lamp not suitable for use in recessed luminaires or identified for use in enclosed fixtures.

1. Install the lamps by placing the bulb leads into their grooves in the socket.
2. Gently push upwards and turn clockwise until secure.

To remove lamps, gently push upwards and turn counterclockwise to disengage bulb leads from their grooves.

NOTE: If need be, use a rubber dishwashing glove to add grip when removing the bulb.



20. USE AND CARE

Filter

The filter should be cleaned frequently. Use a warm detergent solution. Wash more often if your cooking style generates greater grease — like frying foods or wok cooking.

Remove filter by pushing it towards the back of power pack and rotating filters downward. Filter is dishwasher safe. Allow filter to dry completely before reinstalling it in the power pack.

Clean all-metal filter in the dishwasher using a non-phosphate detergent. Discoloration of the filter may occur if using phosphate detergent or as a result of local water conditions — but this will not affect filter performance. This discoloration is not covered by the warranty.

Blower(s) Cleaning

Remove the filter in order to access the blower(s). Vacuum blower(s) to clean. Do not immerse in water.

Power Pack Cleaning

Stainless steel cleaning:

Do:	Don't:
<ul style="list-style-type: none">• Regularly wash with clean cloth or rag soaked with warm water and mild soap or liquid dish detergent.• Always clean in the direction of original polish lines.• Always rinse well with clear water (2 or 3 times) after cleaning. Wipe dry completely.• You may also use a specialized household stainless steel cleaner.	<ul style="list-style-type: none">• Use any steel or stainless steel wool or any other scrapers to remove stubborn dirt.• Use any harsh or abrasive cleansers.• Allow dirt to accumulate.• Let plaster dust or any other construction residues reach the power pack. During construction/renovation, cover the power pack to make sure no dust sticks to stainless steel surface.

20. USE AND CARE (CONT'D)

Avoid when choosing a detergent:

- Any cleaners that contain **bleach** will attack stainless steel.
- Any products containing: **chloride, fluoride, iodide, bromide** will deteriorate surfaces rapidly.
- Any combustible products used for cleaning such as **acetone, alcohol, ether, benzol**, etc., are highly explosive and should never be used close to a range.

21. OPERATION

Always turn your blower on before you begin cooking to establish an airflow in the kitchen. Let the blower run for a few minutes to clear the air after you turn off the range. This will help keep the whole kitchen cleaner and brighter.

COOKTOP LIGHTING (HALOGEN)

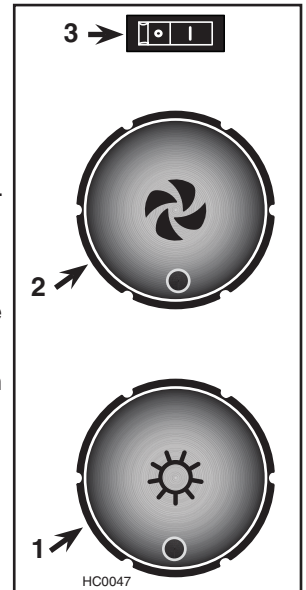
A rotary 4-position knob (1) controls the halogen lights (OFF - low intensity - medium intensity - high intensity).

BLOWER

The blower is operated using two controls.

Use the on/off rocker switch (3) to start and stop the blower. When turned on, the blower operates at the previous setting of the speed control (2).

A rotary 4-position knob (2) controls the blower speed (low speed - medium-low speed - medium speed - high speed).



- 1) HALOGEN LIGHT KNOB
- 2) BLOWER SPEED CONTROL KNOB
- 3) ON/OFF BLOWER SWITCH

22. WARRANTY

ONE-YEAR LIMITED WARRANTY FOR BROAN PRODUCTS

Broan-NuTone Canada (Broan-NuTone) warrants to the original consumer purchaser of Broan products that such products will be free from defects in materials or workmanship for a period of one year from the date of original purchase. THERE ARE NO OTHER WARRANTIES, EXPRESS OR IMPLIED, INCLUDING, BUT NOT LIMITED TO, IMPLIED WARRANTIES OR MERCHANTABILITY OR FITNESS FOR A PARTICULAR PURPOSE.

During this one-year period, Broan-NuTone will, at its option, repair or replace, without charge, any product or part which is found to be defective under normal use and service.

THIS WARRANTY DOES NOT EXTEND TO FLUORESCENT LAMP STARTERS, TUBES, HALOGEN AND INCANDESCENT BULBS, FUSE, FILTERS, DUCTS, ROOF CAPS, WALL CAPS AND OTHER ACCESSORIES FOR DUCTING. This warranty does not cover (a) normal maintenance and service or (b) any products or parts which have been subject to misuse, negligence, accident, improper maintenance or repair (other than by Broan-NuTone), faulty installation or installation contrary to recommended installation instructions.

The duration of any implied warranty is limited to the one-year period as specified for the express warranty. Some provinces do not allow limitation on how long an implied warranty lasts, so the above limitation may not apply to you.

BROAN-NUTONE'S OBLIGATION TO REPAIR OR REPLACE, AT BROAN-NUTONE'S OPTION, SHALL BE THE PURCHASER'S SOLE AND EXCLUSIVE REMEDY UNDER THIS WARRANTY. BROAN-NUTONE SHALL NOT BE LIABLE FOR INCIDENTAL, CONSEQUENTIAL OR SPECIAL DAMAGES ARISING OUT OF OR IN CONNECTION WITH PRODUCT USE OR PERFORMANCE. Some provinces do not allow the exclusion or limitation of incidental or consequential damages, so the above limitation or exclusion may not apply to you.

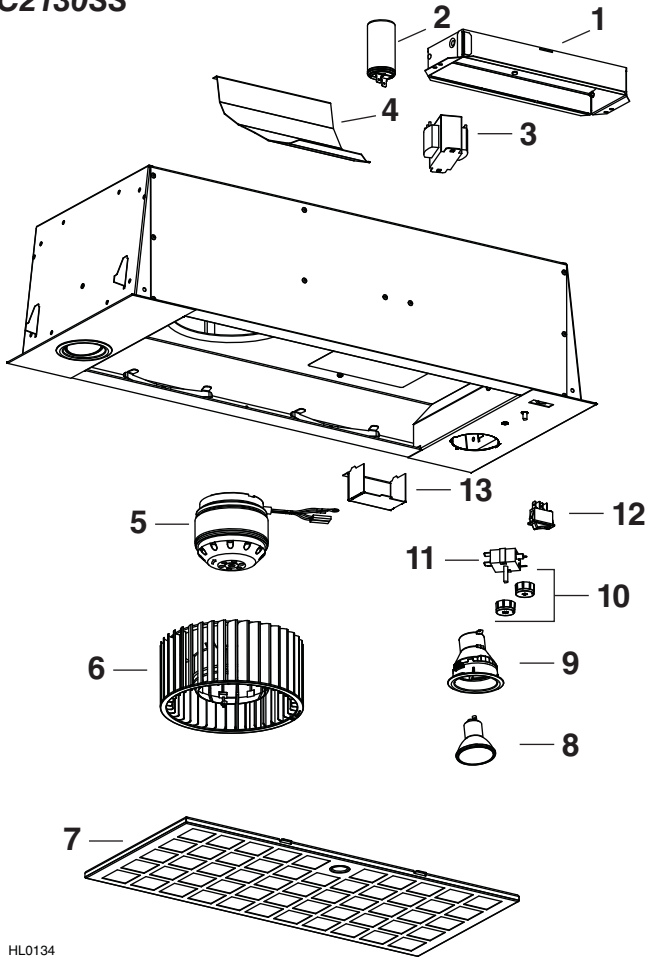
This warranty gives you specific legal rights, and you may also have other rights, which vary from province to another. This warranty supersedes all prior warranties.

To qualify for warranty service, you must (a) notify Broan-NuTone at the address or telephone number stated below, (b) give the model number and part identification and (c) describe the nature of any defect in the product or part. At the time of requesting warranty service, you must present evidence of the original purchase date.

Broan-NuTone Canada Inc., 1140 Tristar Drive, Mississauga, ON L5T 1H9 www.broan.ca 877-896-1119

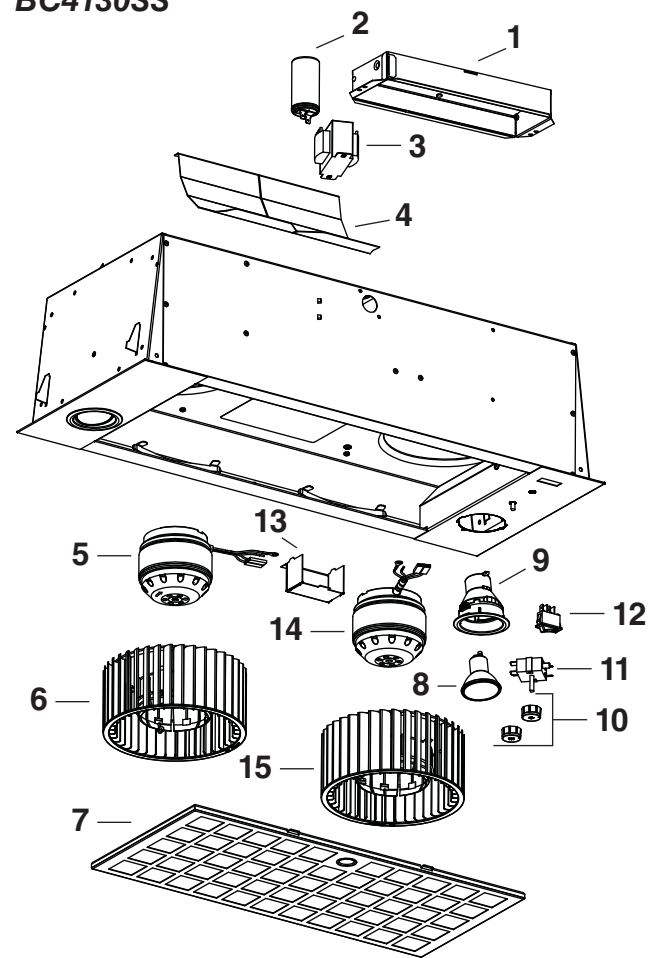
23. SERVICE PARTS

BC2130SS



HL0134

BC4130SS



KEY NO.	PART NO.	DESCRIPTION	QTY. (POWER PACK MODEL)	
			BC2130SS	BC4130SS
1	SV13296	ADAPTER/DAMPER 3¼" x 10"	1	1
2	SV02160	CAPACITOR	1	2
3	SV18440	SINGLE BLOWER TRANSFORMER	1	-
	SV18439	DUAL BLOWER TRANSFORMER	-	1
4	SV18407	SINGLE BLOWER AIR DEFLECTOR	1	-
	SV18408	DUAL BLOWER AIR DEFLECTOR	-	1
5	SV01766	MOTOR (LEFT)	1	1
6	SV03400	BLOWER WHEEL (LEFT)	1	1
7	SV08965	SQUARE PATTERN FILTER	1	1
8	SV05921	SHIELDED HALOGEN BULB (120 V, 50 W, GU-10)	2	2
9	SV16569	LIGHT SOCKET AND TRIM ASSEMBLY	2	2
10	SV08355	LIGHT AND FAN KNOBS (2 KNOBS)	1	1
11	SV21722	ROTARY SWITCH	2	2
12	SV08548	BLOWER ROCKER SWITCH	1	1
13	SV18406	BLOWER PLUG COVER	1	1
14	SV03457	MOTOR (RIGHT)	-	1
15	SV03399	BLOWER WHEEL (RIGHT)	-	1
*	SV08969	INSTALLATION GUIDE	1	1
*	SV08353	PARTS BAG: 1 WIRE CLAMP, 2 WIRE CONNECTORS, 4 NO. 8 x 3/8" SCREWS, 9 NO. 8-10 x 1/2" SCREWS, 8 NO. 8-32 x 1/4" SCREWS.	1	1

* NOT SHOWN.

REPLACEMENT PARTS AND REPAIRS

In order to ensure your unit remains in good working condition, you must use Broan-NuTone genuine replacement parts only. Broan-NuTone genuine replacement parts are specially designed for each unit and are manufactured to comply with all the applicable certification standards and maintain a high standard of safety. Any third party replacement part used may cause serious damage and drastically reduce the performance level of your unit, which will result in premature failing. Broan-NuTone recommends to contact a certified service depot for all replacement parts and repairs.