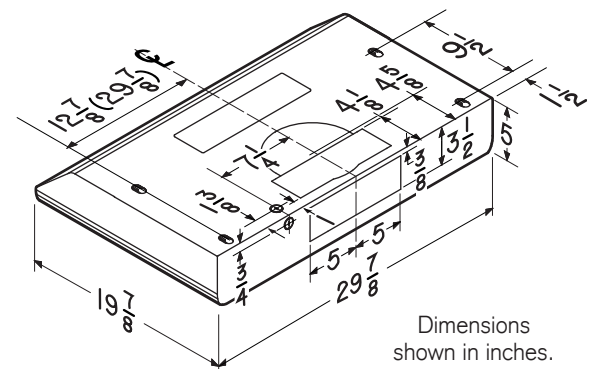


The slim and refined lines of Sahale bring a refreshing change to today's kitchens. Bright LED lighting complements your cooking experience and three fan speeds make cooking more enjoyable. The LED modules included with this hood are the latest in LED cooktop illumination technology - offering bright lighting and lasting up to 25 times as long as a standard bulb. While they are available as service parts, these modules are designed to last the life of the hood.

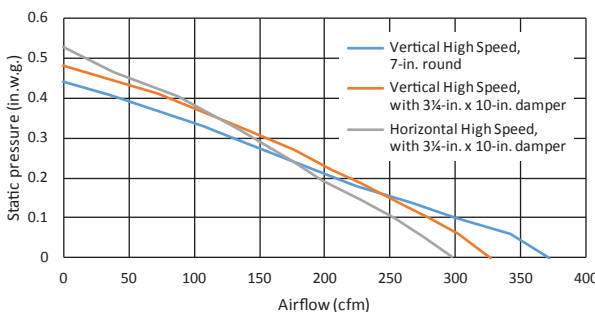
SIZE	WHITE	STAINLESS	GREASE FILTERS (replacement)	NON-DUCTED FILTERS
30-in.	BKDD130WW	BKDD130SS	HPFA3A30 (Type C3)	HPF30 (Type Xc)

PERFORMANCE								
Duct Orientation	Size	Damper	Sones			CFM @ 0.1 Ps		
			Normal	Medium	High	Normal	Medium	High
Vertical - Rectangular	3¼-in. x 10-in.	Included	1.2	3.0	5.5	150	200	280
Horizontal - Rectangular	3¼-in. x 10-in.	Included	1.2	3.0	5.5	110	160	250
Round - Vertical	7-in.	Sold Separately	1.5	3.0	5.5	160	210	300

FEATURES	
Control type	3-speed Capacitive Touch
Delay off	no
Filter Clean Reminder	yes
Heat Sentry™	no
ADA Capable	yes
Lighting	2-level LED (included)
Grease Filters	Deluxe Micro Mesh (Qty. 2)
Installation Hardware	EZ1 brackets
ENERGY STAR®	no
Recirculation	Non-ducted filters sold separately
AC INPUT	
120V, 60 Hz - 0.65 AMPS	
OPTIONAL ACCESSORIES	
7-in. Round Damper	BP87
ADA wiring kit	HAWRK3 (Available August, 2017)
MOUNTING HEIGHT	
18-in. to 24-in. from cooktop to bottom of hood	
LIMITED WARRANTY	
1-year	
3-year (LED modules only)	
<i>(See installation manual for full warranty text.)</i>	
FOR INDOOR USE ONLY	



Dimensions shown in inches.



HVI-2100 CERTIFIED RATINGS comply with new testing technologies and procedures prescribed by the Home Ventilating Institute, for off-the-shelf products, as they are available to consumers. Product performance is rated at 0.1 in. static pressure, based on tests conducted in AMCA's state-of-the-art test laboratory. Sones are a measure of humanly-perceived loudness, based on laboratory measurements.

99045744C