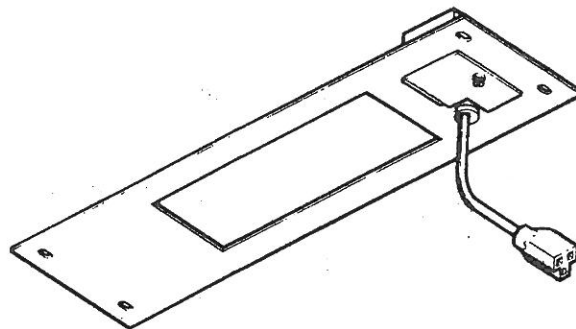


BROAN®

MODEL 103123 WOOD HOOD ROUGH-IN KIT



READ AND SAVE THESE INSTRUCTIONS

WARNING

TO REDUCE THE RISK OF FIRE, ELECTRIC SHOCK, OR INJURY TO PERSONS, OBSERVE THE FOLLOWING:

1. Use this unit only in the manner intended by the manufacturer. If you have questions, contact the manufacturer at the address or telephone number listed in the warranty.
2. Before servicing or cleaning unit, switch power off at service panel and lock the service disconnecting means to prevent power from being switched on accidentally. When the service disconnecting means cannot be locked, securely fasten a prominent warning device, such as a tag, to the service panel.
3. Installation work and electrical wiring must be done by a qualified person(s) in accordance with all applicable codes and standards, including fire-rated construction codes and standards.
4. Sufficient air is needed for proper combustion and exhausting of gases through the flue (chimney) of fuel burning equipment to prevent backdrafting. Follow the heating equipment manufacturer's guideline and safety standards such as those published by the National Fire Protection Association (NFPA), and the American Society for Heating, Refrigeration and Air Conditioning Engineers (ASHRAE), and the local code authorities.
5. When cutting or drilling into wall or ceiling, do not damage electrical wiring and other hidden utilities.
6. Ducted fans must always be vented to the outdoors.
7. To reduce the risk of fire, use only metal ductwork.
8. This unit must be grounded.

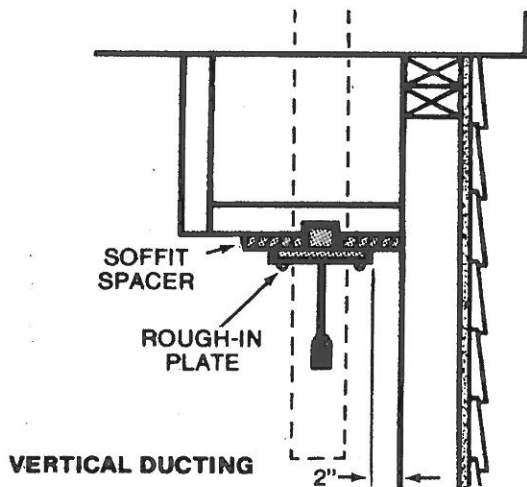
TO REDUCE THE RISK OF A RANGE TOP GREASE FIRE:

1. Keep fan, filters and grease laden surfaces clean.
2. Always turn hood ON when cooking at high heat.
3. Use high range settings on range only when necessary. Heat oil slowly on low to medium setting.
4. Don't leave range unattended when cooking.
5. Always use cookware and utensils appropriate for the type and amount of food being prepared.

The Wood Hood rough-in kit consists of a plate with an electrical outlet box, power cord, and mounting hardware. It locates the ductwork and electrical wiring for the hood. It does not support the weight of the Wood Hood or Wood Hood Kit.

1. Plan ducting.

Choose either VERTICAL or HORIZONTAL ducting for the hood. Refer to the appropriate illustration.



VERTICAL DUCTING

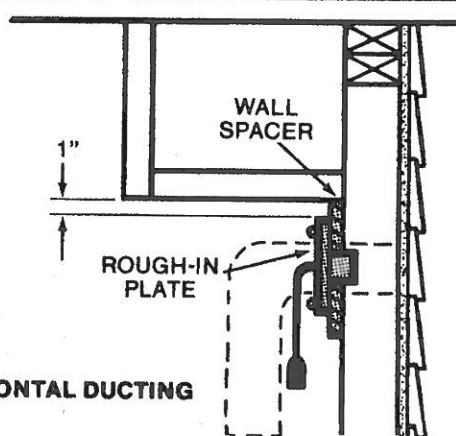
WARNING

TO REDUCE THE RISK OF INJURY TO PERSONS IN THE EVENT OF A RANGE TOP GREASE FIRE, OBSERVE THE FOLLOWING:*

1. **SMOTHER FLAMES** with a close-fitting lid, cookie sheet, or metal tray, then turn off the burner. **BE CAREFUL TO PREVENT BURNS.** If the flames do not go out immediately, **EVACUATE AND CALL THE FIRE DEPARTMENT.**
 2. **NEVER PICK UP A FLAMING PAN** - You may be burned.
 3. **DO NOT USE WATER**, including wet dishcloths or towels - a violent steam explosion will result.
 4. Use an extinguisher **ONLY** if:
 - A. You know you have a Class ABC extinguisher and you already know how to operate it.
 - B. The fire is small and contained in the area where it started.
 - C. The fire department is being called.
 - D. You can fight the fire with your back to an exit.
- * Based on "Kitchen Firesafety Tips" published by NFPA.

CAUTION

1. For general ventilating use only. Do not use to exhaust hazardous or explosive materials and vapors.
2. To avoid motor bearing damage and noisy and/or unbalanced impellers, keep drywall spray, construction dust, etc. off power unit.
3. This product is equipped with a thermostat which may start fan automatically. To reduce the risk of injury, switch power off at service panel and lock service panel to prevent power from being switched on accidentally.
4. Your hood motor has a thermal overload which will automatically shut off the motor if it becomes overheated. The motor will restart when it cools down. If the motor continues to shut off and restart, have the hood serviced.
5. For best capture of cooking impurities, your range hood should be mounted 18-24" above the cooking surface.
6. Please read specification label on product for further information and requirements.



HORIZONTAL DUCTING

2. Add spacer.

Center rough-in plate and space it away from framing with material the same thickness as drywall to be used.

3. Mount plate.

Fasten rough-in plate securely to framing with four screws provided. Follow dimensions shown.

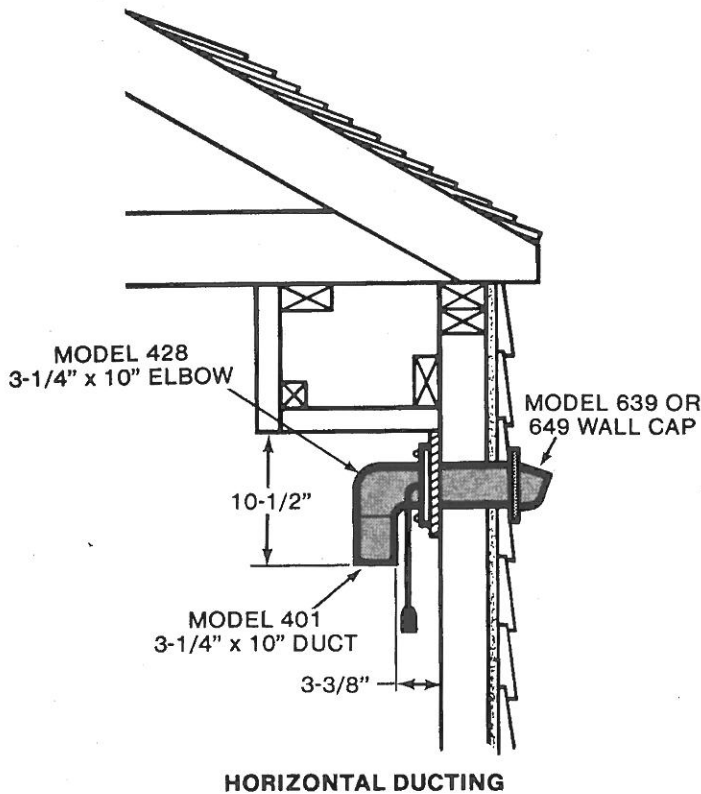
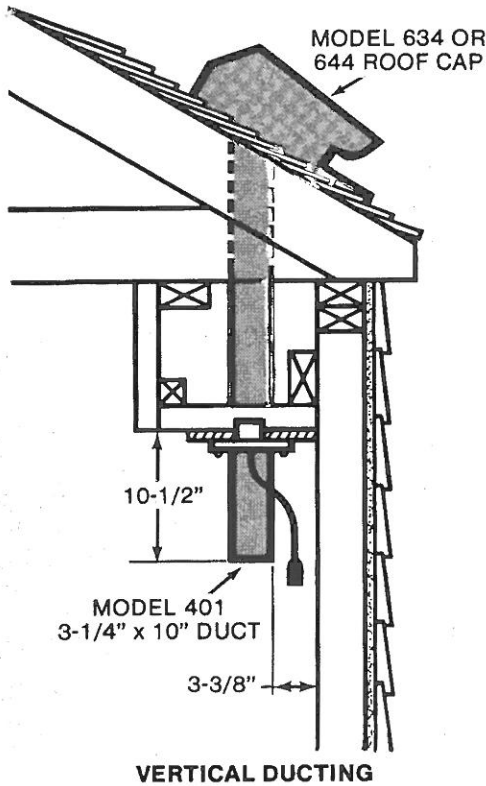
4. Connect wiring.

Run electrical wiring to installation location and fasten to wiring box. Make electrical connections. Connect black to black, white to white, and green or bare wire to box with green ground screw provided. Reinstall wiring box cover.

INSTALLER: Leave this manual with the homeowner.

5. Install ductwork.

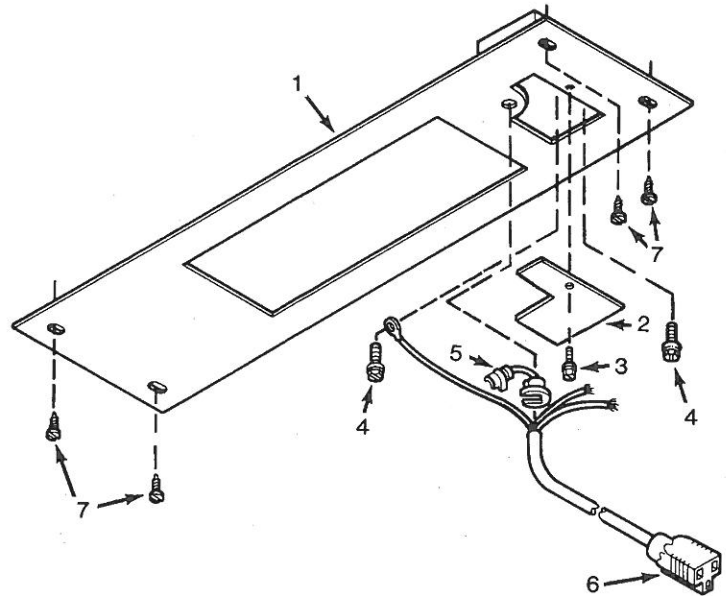
Position the ductwork according to dimensions shown in appropriate illustration below. Tape all joints.



SERVICE PARTS



**Model 103123
Wood Hood
Rough-In Kit**



KEY NO.	PART NUMBER	DESCRIPTION
1	97007473	Rough-In Plate
2	98003370	Wiring Box Cover
3	99150415	#8B Sheet Metal Screw
4	99150471	#10-32 x 1/2 Green Ground Screw* (2 Required)
5	99400052	Strain Relief Bushing
6	99440033	Power Cord
7	99150418	#10AB x 1/2 Slotted Pan Head Sheet Metal Screw (4 Required)*

*Standard Hardware. May be purchased locally.

WARRANTY

BROAN ONE YEAR LIMITED WARRANTY

Broan Mfg. Co., Inc. warrants that its products will be free from defects in materials or workmanship for a period of one year from the date of original purchase. During this one-year period, Broan will repair or replace, at its option, any product or part which is found to be defective under normal use and service without charge. Broan's obligation to repair or replace, at Broan's option, shall be the purchaser's sole and exclusive remedy under this warranty.

THIS WARRANTY DOES NOT EXTEND TO FLUORESCENT LAMP STARTERS AND TUBES, FILTERS, DUCTS, ROOF CAPS, WALL CAPS AND OTHER ACCESSORIES FOR DUCTING. This warranty does not include normal maintenance and service and does not apply to any products or parts which have been subject to misuse, negligence, accident, improper maintenance or repair by others than Broan, faulty installation or installation contrary to recommended installation instructions.

THERE IS NO OTHER EXPRESS WARRANTY. BROAN HEREBY DISCLAIMS ANY AND ALL IMPLIED WARRANTIES, INCLUDING BUT NOT LIMITED TO, THOSE OF MERCHANTABILITY AND FITNESS FOR A PARTICULAR PURPOSE TO THE EXTENT PERMITTED BY LAW. The duration of any implied warranty which cannot be disclaimed is limited to the one-year period as specified in the express warranty. Some states do not allow limitation on how long an implied warranty lasts, so the above limitation may not apply to you. BROAN SHALL NOT BE LIABLE FOR INCIDENTAL, CONSEQUENTIAL OR SPECIAL DAMAGES ARISING OUT OF OR IN CONNECTION WITH PRODUCT USE OR PERFORMANCE EXCEPT AS MAY OTHERWISE BE ACCORDED BY LAW. Some states do not allow the exclusion of incidental or consequential damages, so the above exclusion or limitation may not apply to you. This warranty gives you specific legal rights, and you may also have other rights which vary from state to state. This warranty supersedes all prior warranties.

For service, notify Broan Mfg. Co., Inc., Hartford, Wisconsin 53027 (Telephone: 414-673-4340) or, in California, notify Broan Mfg. Co., Inc., La Mirada, California 90638 (Telephone: 213-926-0595), giving the model number, part identification and nature of any defect in the product or part. At the time of requesting warranty service, evidence of the original purchase date must be presented.

Broan-NuTone LLC Hartford, Wisconsin
www.broan.com 800-558-1711