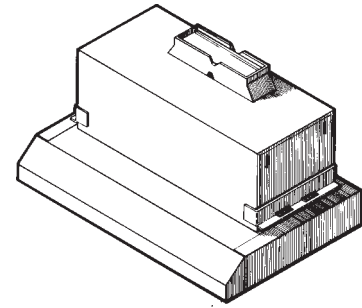


WOOD HOOD KIT



A hard working hood that won't interrupt the natural beauty of your wood cabinets.

FEATURES

- Dual centrifugal blower
- Fire retardant, all metal insert
- Infinite speed control
- Energy efficient 24 inch fluorescent light (bulb not included)
- Built-in damper/duct connector — vertical or horizontal discharge
- Exclusive Heat Sentry™ — automatically turns blower on to high speed when excess cooking heat is detected
- Fits wood hoods with interiors 28-1/4" to 28-7/8" (can be adapted to wood hoods up to 42" wide)
- Uses Model 103123 Rough-in Kit

TYPICAL SPECIFICATION

Wood Hood Kit shall be Broan Model 103023.

Kit shall have all-metal construction and fit in a Wood Hood up to 42 inches wide. Damper/duct connector to be included).

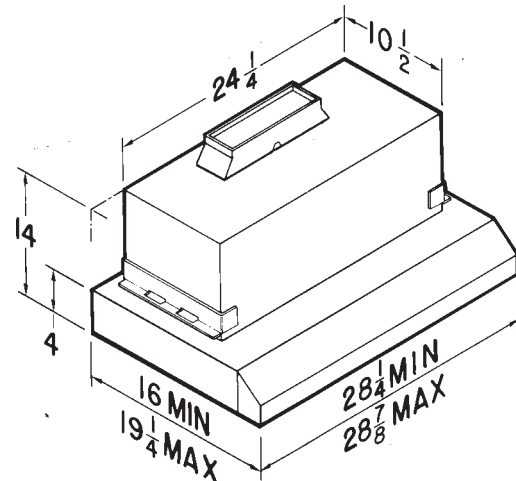
Unit shall have infinite speed control, fluorescent light and dual centrifugal blower. Blower to automatically turn on to HIGH speed when excess cooking heat is detected.

Air delivery shall be no less than 360 CFM and sound level no greater than 4.5 Sones (horizontal discharge), 5.0 Sones (vertical discharge). All air and sound ratings to be certified by HVI. Unit to be U.L. listed.

SPECIFICATIONS

VOLTS	AMPS	RPM	SONES		CFM	DUCT
			VER.	HOR.		
120	3.7	1580	5.0	4.5	360	3 1/4" X 10"

HVI certified ratings comply with testing procedures prescribed by the Home Ventilating Institute. Ratings are at .10 in. static pressure. Sones are a measure of loudness and are measured in HVI's semi-reverberant sound test room.



Broan-NuTone LLC, 926 West State Street, Hartford, WI 53027 (1-800-637-1453)

REFERENCE	QTY.	REMARKS	Project
			Location
			Architect
			Engineer
			Contractor
			Submitted by Date