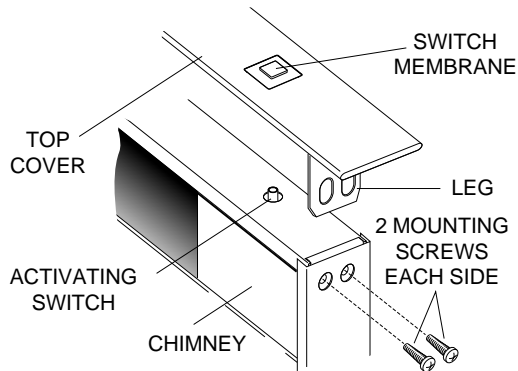


## INSTALLATION



1. Press activating switch to raise chimney. NOTE: If electrical power supply is not connected, lift chimney manually and cock it slightly to keep it in position. Remove four (4) screws and remove existing top cover.
2. Slide legs on top cover into ends of chimney as shown. Make sure switch membrane is above activating switch. Fasten with four (4) screws provided.

### BROAN-NUTONE ONE YEAR LIMITED WARRANTY

Broan-NuTone warrants to the original consumer purchaser of its products that such products will be free from defects in materials or workmanship for a period of one year from the date of original purchase. THERE ARE NO OTHER WARRANTIES, EXPRESS OR IMPLIED, INCLUDING, BUT NOT LIMITED TO, IMPLIED WARRANTIES OF MERCHANTABILITY OR FITNESS FOR A PARTICULAR PURPOSE.

During this one-year period, Broan-NuTone will, at its option, repair or replace, without charge, any product or part which is found to be defective under normal use and service.

THIS WARRANTY DOES NOT EXTEND TO FLUORESCENT LAMP STARTERS AND TUBES. This warranty does not cover (a) normal maintenance and service or (b) any products or parts which have been subject to misuse, negligence, accident, improper maintenance or repair (other than by Broan-NuTone), faulty installation or installation contrary to recommended installation instructions.

The duration of any implied warranty is limited to the one-year period as specified for the express warranty. Some states do not allow limitation on how long an implied warranty lasts, so the above limitation may not apply to you.

BROAN-NUTONE'S OBLIGATION TO REPAIR OR REPLACE, AT BROAN-NUTONE'S OPTION, SHALL BE THE PURCHASER'S SOLE AND EXCLUSIVE REMEDY UNDER THIS WARRANTY. BROAN-NUTONE SHALL NOT BE LIABLE FOR INCIDENTAL, CONSEQUENTIAL OR SPECIAL DAMAGES ARISING OUT OF OR IN CONNECTION WITH PRODUCT USE OR PERFORMANCE. Some states do not allow the exclusion or limitation of incidental or consequential damages, so the above limitation or exclusion may not apply to you.

This warranty gives you specific legal rights, and you may also have other rights, which vary from state to state. This warranty supersedes all prior warranties.

To qualify for warranty service, you must (a) notify Broan-NuTone at the address stated below or telephone: 1-800-637-1453, (b) give the model number and part identification and (c) describe the nature of any defect in the product or part. At the time of requesting warranty service, you must present evidence of the original purchase date.

**Broan-NuTone LLC**, 926 West State Street, Hartford, WI 53027  
(1-800-637-1453)

**NuTone, Inc.**, 4820 Red Bank Road, Cincinnati, OH 45227  
(1-800-543-8687)

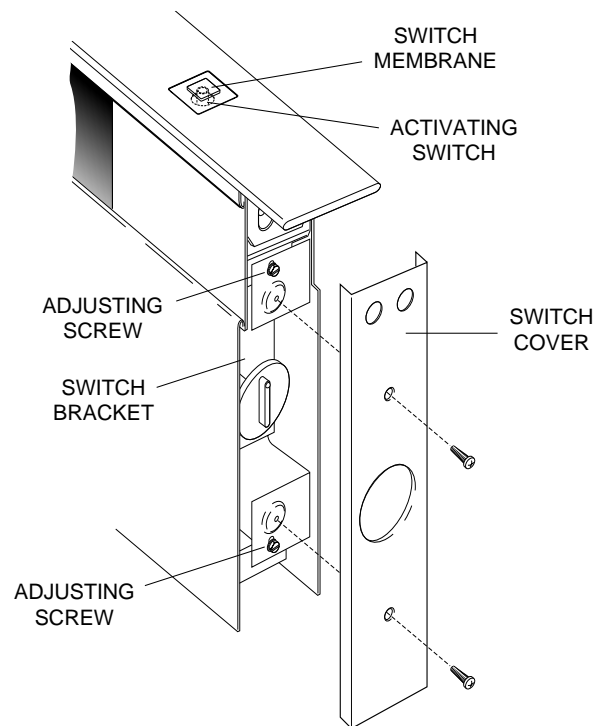
## ADJUSTMENT

The downdraft is factory-adjusted for proper operation. However, shipping and handling may affect the position of the activating switch.

To adjust position of activating switch:

**WARNING: To avoid possible electrical shock, personal injury or death - Disconnect electrical power.**

1. If downdraft is plugged into electrical outlet, unplug it.
2. Lift air vent straight up and cock it slightly so it remains in the UP position.



3. Remove switch cover from right end of air vent.
4. Loosen the 2 screws holding the switch bracket in place. Position switch bracket so that activating switch just comes in contact with underside of switch membrane. Tighten screws.
5. Replace switch cover, gently lower air vent into chimney, and plug in power cord. Re-connect electrical power and check operation.