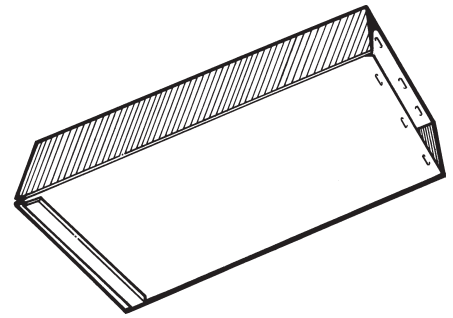


# DUCTWORK AND ELBOWS



### DUCT SECTIONS

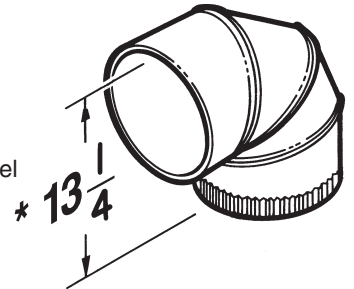
- Model 401**    3¼" x 10" - 30 GA. GALV.
- Model 406**    6" Round - 28 GA. GALV.
- Model 407**    7" Round - 28 GA. GALV.
- Model 408**    8" Round - 30 GA. GALV.
- Model 410**    10" Round - 28 GA. GALV.

#### All duct sections –

- 2 ft. long sections
- Galvanized steel construction
- 5 sections per carton

#### Model 418

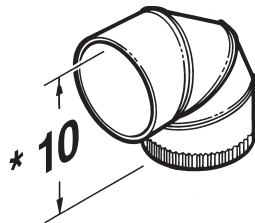
- 10" round
- Fully adjustable
- 30 GA. Galvanized steel construction



### ELBOWS

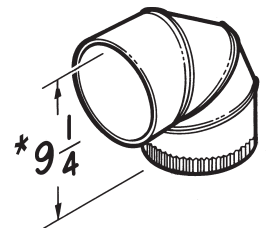
#### Model 415

- 7" round
- Fully adjustable
- 30 GA. Galvanized steel construction



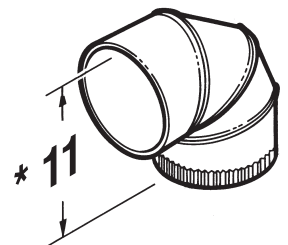
#### Model 419

- 6" round
- Fully adjustable
- 30 GA. Galvanized steel construction



#### Model 432

- 8" round
- Fully adjustable
- 30 GA. Galvanized steel construction

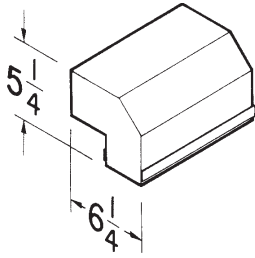


\* Dimensions at 90°

**Broan-NuTone LLC**    Hartford, Wisconsin    www.broan.com    800-637-1453    www.nutone.com    888-336-3948  
**BEST**    Hartford, Wisconsin    www.BestRangeHoods.com

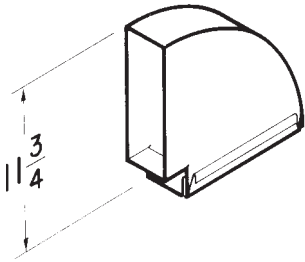
REFERENCE	QTY.	REMARKS	Project	
			Location	Date
			Architect	
			Engineer	
			Contractor	
			Submitted by	

**ELBOWS - CONT'D.**



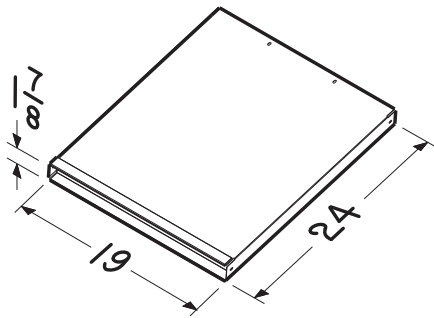
**Model 428**

- 3 1/4" x 10" – Vertical
- 30 GA. Galvanized steel construction



**Model 429**

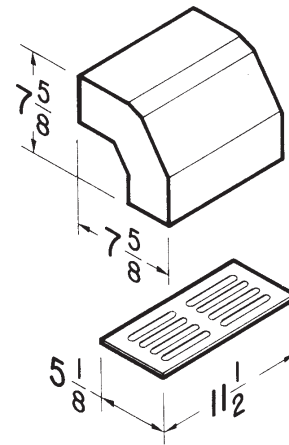
- 3 1/4" x 10" – Horizontal
- 30 GA. Galvanized steel construction



**Model AEDD2  
Model AXKD2**

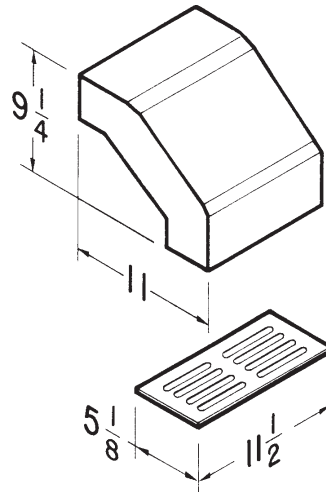
- 26 GA. Galvanized steel construction
- Includes duct slips

**EAVE ELBOWS**



**Model 430**

- 3 1/4" x 10" short eave elbow
- Includes backdraft damper and grille
- Black, electrically-bonded epoxy finish
- 20 ga. steel



**Model 431**

- 3 1/4" x 10" long eave elbow
- Includes backdraft damper and grille
- Black, electrically-bonded epoxy finish
- 20 ga. steel