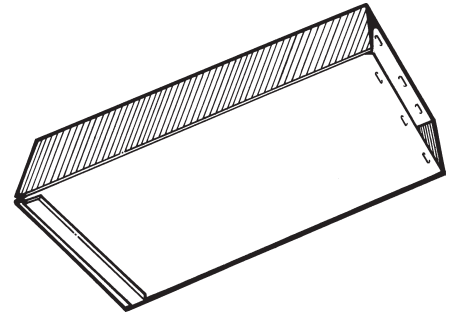


# DUCTWORK AND ELBOWS



### DUCT SECTIONS

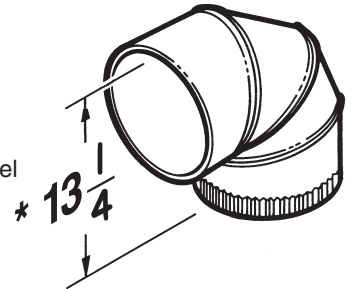
- Model 401**    3¼" x 10" - 30 GA. GALV.
- Model 406**    6" Round - 28 GA. GALV.
- Model 407**    7" Round - 28 GA. GALV.
- Model 408**    8" Round - 30 GA. GALV.
- Model 410**    10" Round - 28 GA. GALV.

#### All duct sections –

- 2 ft. long sections
- Galvanized steel construction
- 5 sections per carton

#### Model 418

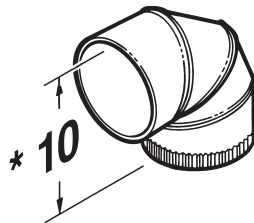
- 10" round
- Fully adjustable
- 30 GA. Galvanized steel construction



### ELBOWS

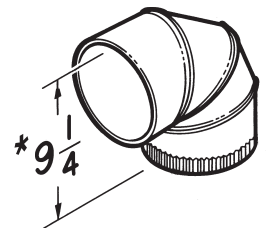
#### Model 415

- 7" round
- Fully adjustable
- 30 GA. Galvanized steel construction



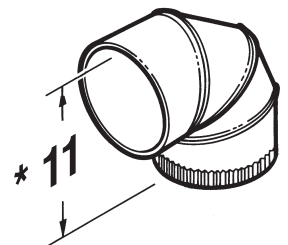
#### Model 419

- 6" round
- Fully adjustable
- 30 GA. Galvanized steel construction



#### Model 432

- 8" round
- Fully adjustable
- 30 GA. Galvanized steel construction

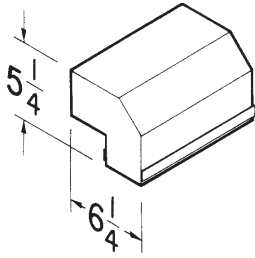


\* Dimensions at 90°

**Broan-NuTone LLC**    Hartford, Wisconsin    [www.broan.com](http://www.broan.com)    800-637-1453    [www.nutone.com](http://www.nutone.com)    888-336-3948  
**BEST**    Hartford, Wisconsin    [www.BestRangeHoods.com](http://www.BestRangeHoods.com)

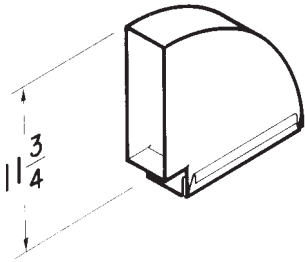
| REFERENCE | QTY. | REMARKS | Project      |      |
|-----------|------|---------|--------------|------|
|           |      |         | Location     |      |
|           |      |         | Architect    |      |
|           |      |         | Engineer     |      |
|           |      |         | Contractor   |      |
|           |      |         | Submitted by | Date |

**ELBOWS - CONT'D.**



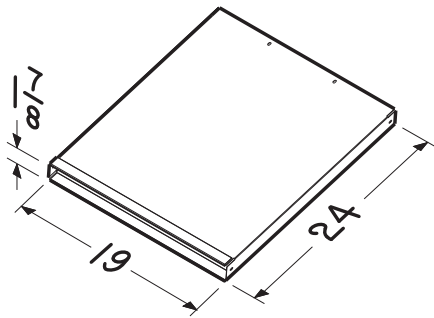
**Model 428**

- $3 \frac{1}{4}$ " x 10" – Vertical
- 30 GA. Galvanized steel construction



**Model 429**

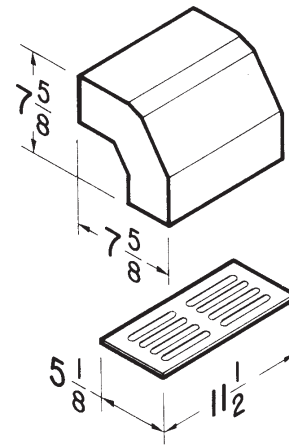
- $3 \frac{1}{4}$ " x 10" – Horizontal
- 30 GA. Galvanized steel construction



**Model AEDD2**  
**Model AXKD2**

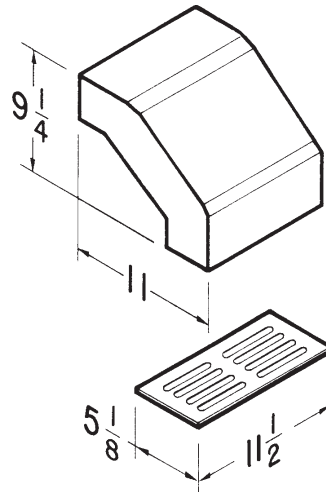
- 26 GA. Galvanized steel construction
- Includes duct slips

**EAVE ELBOWS**



**Model 430**

- $3 \frac{1}{4}$ " x 10" short eave elbow
- Includes backdraft damper and grille
- Black, electrically-bonded epoxy finish
- 20 ga. steel



**Model 431**

- $3 \frac{1}{4}$ " x 10" long eave elbow
- Includes backdraft damper and grille
- Black, electrically-bonded epoxy finish
- 20 ga. steel