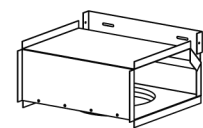


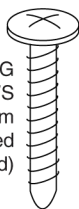
# INSTALL THE HOOD (Non-Ducted Hoods Only)

## NON-DUCT KIT MODEL RKE58 CONTENTS

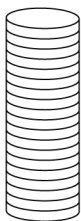


NON-DUCT PLENUM  
ASSEMBLY

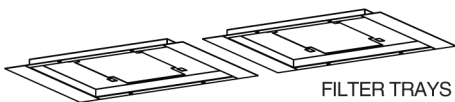
2 MOUNTING  
SCREWS  
(4mm x 38mm  
Cross Recessed  
Pan Head)



8 MOUNTING  
SCREWS  
(.188" x .375"  
Cross Recessed  
Flat Head)



FLEXIBLE DUCT



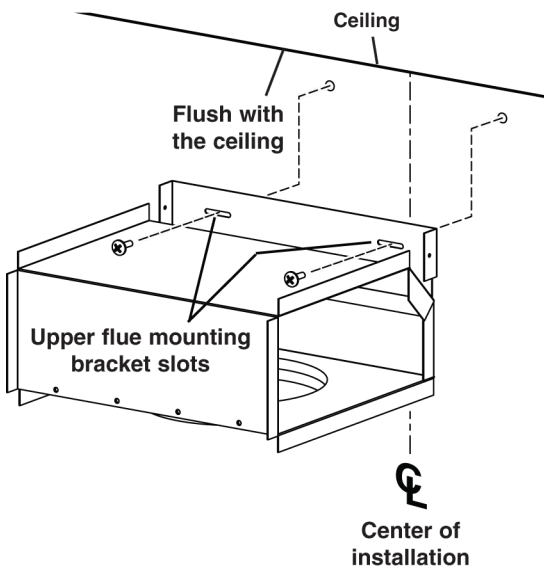
FILTER TRAYS



NON-DUCTED RECIRCULATION FILTERS

### NOTE

Non-ducted installations require Non-Duct Kit, Model RKE58 (purchase separately).



1. Center the non-duct plenum over the hood location and flush with the ceiling. Secure the non-duct plenum to the wall using (2) 4mm x 38mm mounting screws. Note: Drywall anchors may be needed (not included).
2. Tighten the screws completely. Make sure that the non-duct plenum is tight against the wall and ceiling.