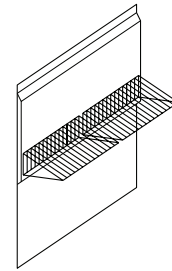


RMP SERIES BACKSPLASH

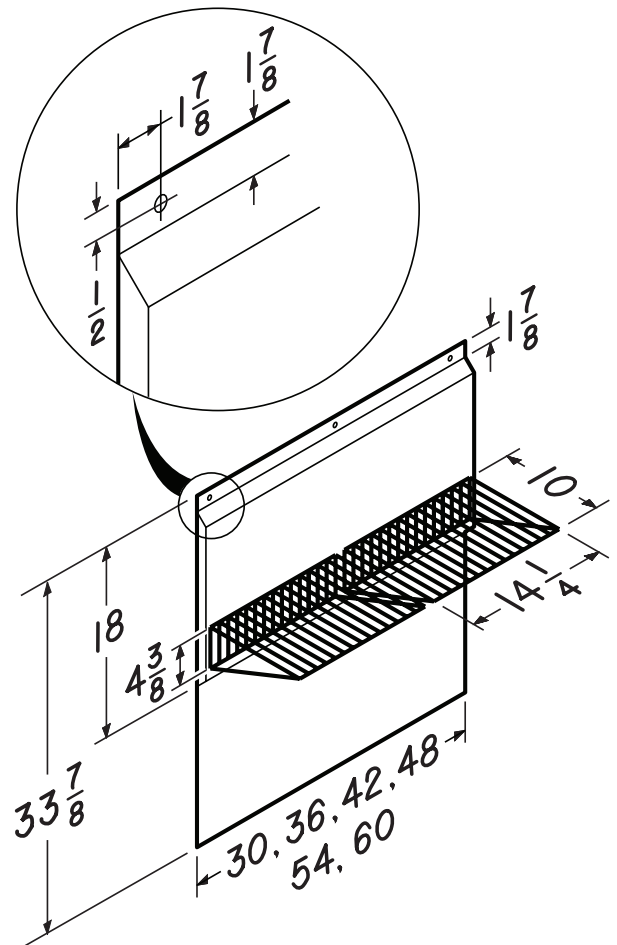


*Intended for
domestic
cooking only.*

FEATURES

- Stainless Steel construction - protects back wall and wipes clean easily
- Two, removable, dual-position food warming / condiment storage shelves
- Widths - 30" to 60" in 6" increments

DIMENSIONS



Broan-NuTone LLC, 926 West State Street, Hartford, WI 53027 (1-800-637-1453)

NuTone, Inc., 4820 Red Bank Road, Cincinnati, OH 45227 (1-800-543-8687)

Broan-NuTone Canada, Inc., 1140 Tristar Drive, Mississauga, Ontario L5T 1H9 (1-888-882-7626)

REFERENCE	QTY.	REMARKS	Project
			Location
			Architect
			Engineer
			Contractor
			Submitted By Date