

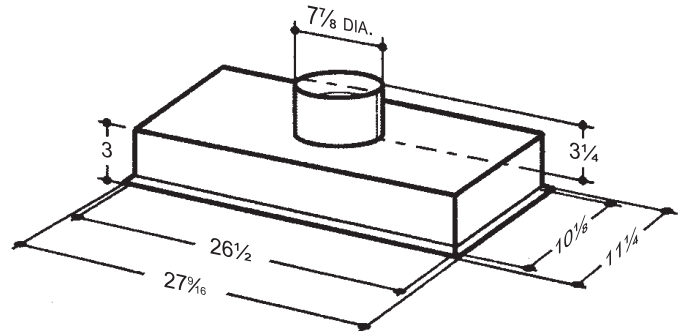
### SPECIFICATIONS

|                          |                       |
|--------------------------|-----------------------|
| MODEL                    | RMPE SERIES           |
| VOLTS                    | 120 VAC               |
| Hz                       | 60                    |
| AMPS                     | 0.83*                 |
| CFM                      | **                    |
| SONES                    | **                    |
| BLOWER                   | EXTERNAL              |
| DUCTING SIZE             | 8" ROUND              |
| 2 SHIELDED HALOGEN BULBS | 120 V, 50 W GU10 BASE |
| WARRANTY                 | 1 YEAR                |

\*HOOD LIGHTING ONLY.

\*\*EXTERNAL OR IN-LINE BLOWERS SOLD SEPARATELY.

### DIMENSIONS



NOTE: DIMENSIONS SHOWN ARE IN INCHES.



BROAN-NU TONE CANADA INC., MISSISSAUGA, ONTARIO WWW.BROAN.CA 1-888-882-7626

| PROJECT      | REMARKS |
|--------------|---------|
| LOCATION     |         |
| MODEL No.    |         |
| QTY.         |         |
| SUBMITTED BY |         |
| DATE         |         |
|              |         |