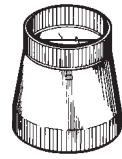


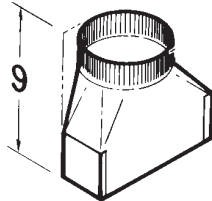
TRANSITIONS, DAMPERS, & ADAPTORS



Model 411 Transition

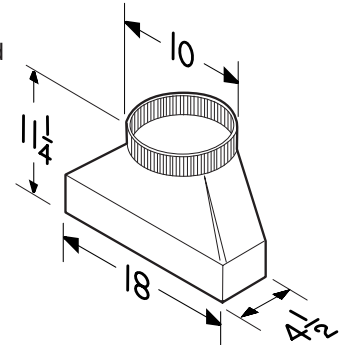
- 3¼" x 10" to 6" round
- Model 412H Transition**
- 3¼" x 10" to 7" round
- Model 413 Transition**
- 3¼" x 10" to 8" round

All models above -
30 GA galvanized steel
construction



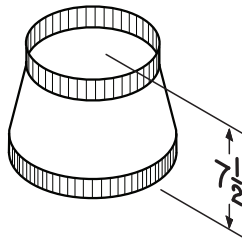
Model 423 Transition

- 4½" x 18½" to 10" round
- vertical discharge
- 26 GA galvanized steel
construction



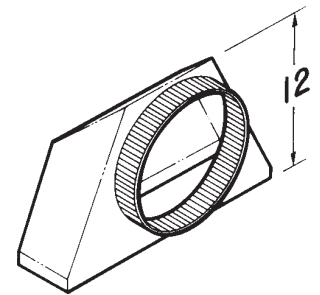
Model 414 Transition

- 10" round to 8" round
- 24 GA galvanized steel



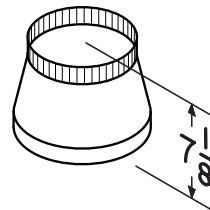
Model 424 Transition

- 4½" x 18½" to 10" round
horizontal, rear discharge
- 26 GA galvanized steel
construction



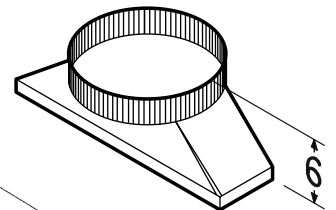
Model T486 Transition

- 8" round to 6" round
- 30 GA galvanized steel



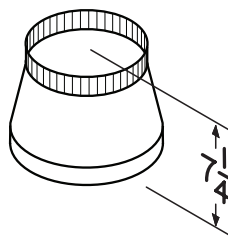
Model 427 Transition

- 4½" x 18½" to 10" round
horizontal discharge
- 26 GA galvanized steel
construction



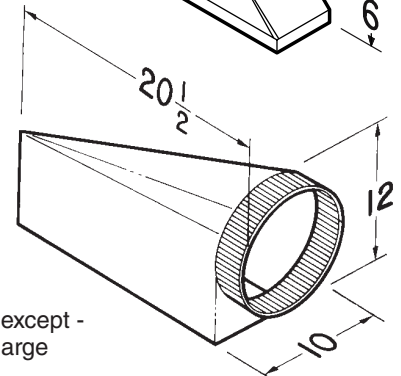
Model T487 Transition

- 8" round to 7" round
- 24 GA galvanized steel



Model 453 Transition

- 4½" x 18½" to 10" round horizontal,
left discharge
- 26 GA galvanized
steel construction



Model 454 Transition

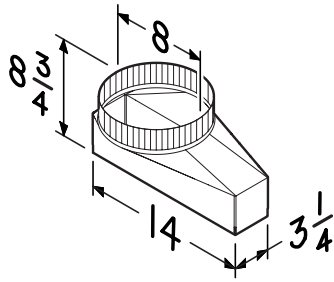
- Same as Model 453 except -
horizontal right discharge

Broan-NuTone LLC Hartford, Wisconsin www.broan.com 800-637-1453 www.nutone.com 888-336-3948
BEST Hartford, Wisconsin www.BestRangeHoods.com

REFERENCE	QTY.	REMARKS	Project
			Location
			Architect
			Engineer
			Contractor
			Submitted by Date

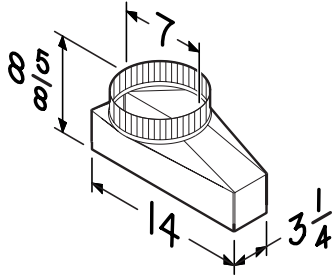
Model 459 Transition

- 3 1/4" x 14" to 8" round - vertical discharge
- 30 GA galvanized steel construction



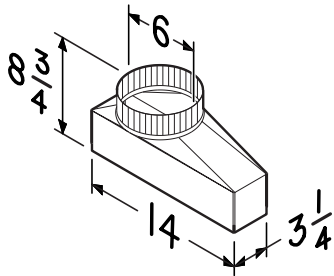
Model T460 Transition

- 3 1/4" x 14" to 7" round - vertical discharge
- 30 GA galvanized steel construction



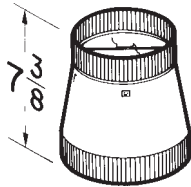
Model T462 Transition

- 3 1/4" x 14" to 6" round - vertical discharge
- 30 GA galvanized steel construction



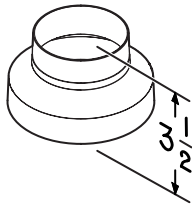
Model 472 Transition / Damper

- 10" round to 8" round
- Spring-loaded aluminum louvers
- Rubber stops
- 24 GA galvanized steel



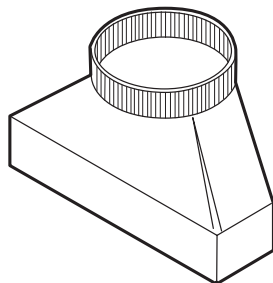
Model 475 Transition

- 6" round to 4" round
- Black, polymeric construction



Model 475B Transition

- Six-pack of Model 475

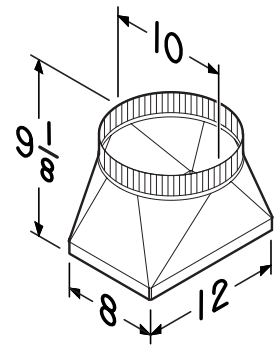


Model T81212 Transition

- 8" x 12" to 12" round
- 28 ga. galvanized steel

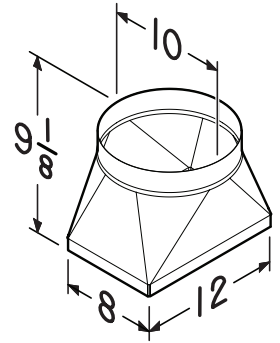
Model S99610015 Transition

- 8" x 12" to 10" round male - vertical discharge
- 26 GA galvanized steel construction



Model S99610028 Transition

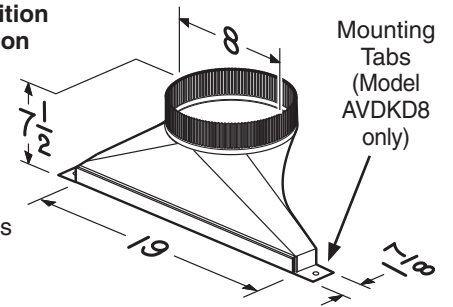
- 8" x 12" to 10" round female - vertical discharge
- 26 GA galvanized steel construction



Model AVDKD8 Transition

Model ATKD8 Transition

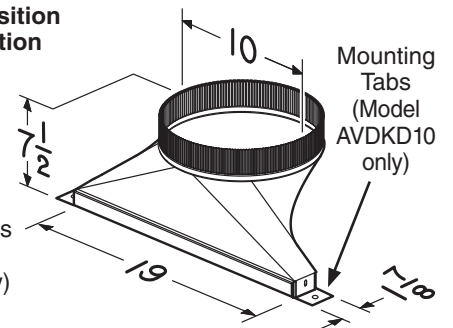
- 1-7/8" x 19" to 8" round
- 26 GA galvanized steel construction
- Includes duct slips (Model ATKD8 only)
- Includes 2 barrel nuts for attachment. (Model AVDKD8 only)



Model AVDKD10 Transition

Model ATKD10 Transition

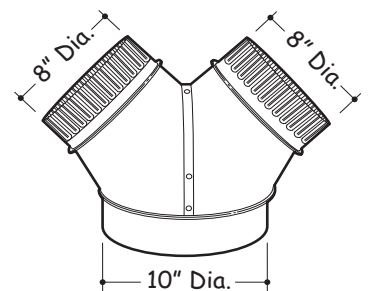
- 1-7/8" x 19" to 10" round
- 26 GA galvanized steel construction
- Includes duct slips (Model ATKD10 only)
- Includes 2 barrel nuts for attachment. (Model AVDKD10 only)



Model AVDKD8810

Model ATKD8810

- 10" round to dual 8" round
- 26 GA galvanized steel construction



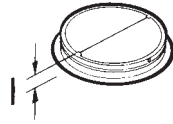
Broan-NuTone LLC Hartford, Wisconsin www.broan.com 800-637-1453

Broan-NuTone LLC Hartford, Wisconsin www.nutone.com 888-336-3948

BEST Hartford, Wisconsin www.BestRangeHoods.com

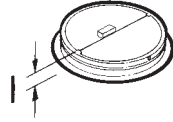
Model BP87 Damper

- 7" round
- Extruded steel with electrically-bonded epoxy finish
- .016 Aluminum louvers



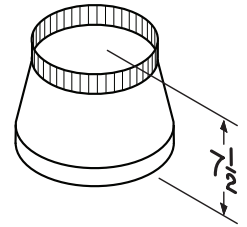
Model BP87Q Damper

- 7" round
- Extruded steel with electrically-bonded epoxy finish
- .016 Aluminum louvers
- Sound dampening foam



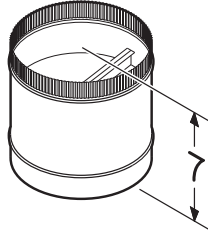
Model T457 Transition

- 7" round to 5" round
- 30 GA galvanized steel
- Can be use with BP87 or BP87Q



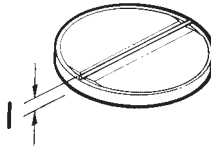
Model 97 Damper

- 7" round
- 28 GA galvanized steel
- Aluminum louvers



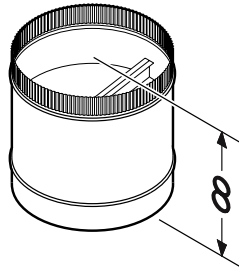
Model 421 Damper

- 10" round
- 24 GA galvanized steel with aluminum louvers



Model 438 Damper

- 8" round
- 24 GA galvanized steel with aluminum louvers

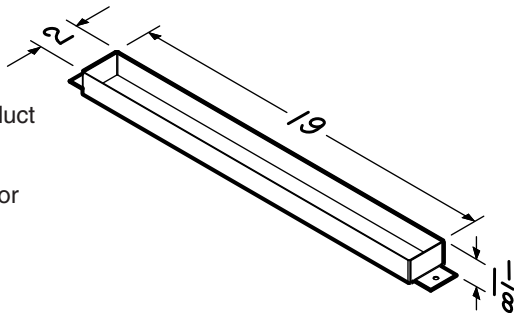


Model AVDKD219

Model ATKD219

Adaptor

- Adapts to 1-7/8" x 19" duct
- 22 GA galvanized steel construction
- Includes 2 barrel nuts for attachment



BROAN[®]
NuTone[®]
best[®]

Broan-NuTone LLC Hartford, Wisconsin www.broan.com 800-637-1453

Broan-NuTone LLC Hartford, Wisconsin www.nutone.com 888-336-3948

BEST Hartford, Wisconsin www.BestRangeHoods.com