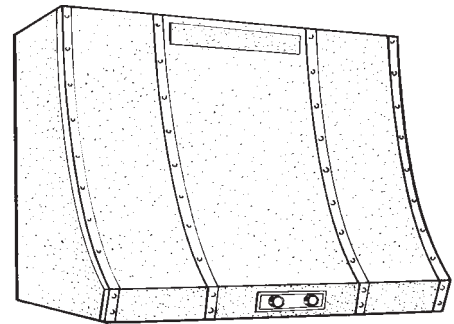


# MODEL 11000 CONVERTIBLE CANOPY RANGE HOOD



**Greater height increases collection of cooking contaminants while eliminating the need for above-the-range cabinets.**

**FEATURES**

- Infinite speed control
- Washable aluminum filter
- Damper/duct connector included
- Accommodates a bright 100W bulb or 150W flood lamp
- Converts to duct-free with addition of Microtek® System II filter No. 97007696 (available separately)
- Distinctive styling in Hammered White, Hammered Almond and Hammered Biscuit – **Special Order** in Hammered Black
- Available in 30" width – **Special Order** in 36"width

**SPECIFICATIONS**

VOLTS	AMPS	RPM	SONES		CFM		DUCTFREE RHP INDEX*	DUCT SIZE
			VER.	HOR.	VER.	HOR.		
120	3.0	2850	6.0	6.5	190	200	9.80	3¼" x 10"

HVI certified ratings comply with testing procedure prescribed by the Home Ventilating Institute. Ratings are at 0.1 in. static pressure. Sones are a measure of loudness and are measured in HVI's semi-reverberant sound test room.



\*RHP INDEX (Range Hood Performance) is a scientific measure of the effectiveness of a range hood in removing grease, smoke, dirt and other solid pollutants from the air. The RHP Index compares the performance of each hood to others.

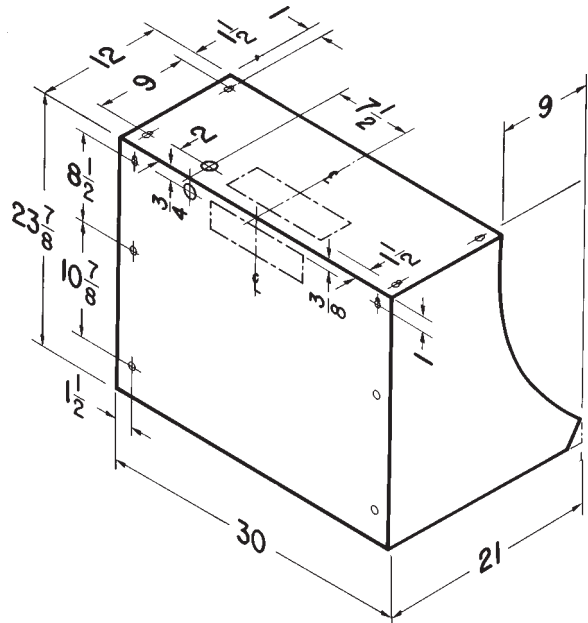
**TYPICAL SPECIFICATION**

Range hood shall be Broan Model 11000.

Unit shall be convertible between ducted (using a washable aluminum filter) and duct-free (using a Microtek® System II filter).

Unit shall have an infinite speed, solid state speed control. Hood shall have separate light switch. Motor to be lifetime lubricated. RPM not to exceed 2850.

Air delivery shall be no less than 190 CFM and sound level no greater than 6.0 Sones (vertical discharge), 200 CFM and 6.5 Sones (horizontal discharge). All air and sound ratings shall be certified by HVI. Unit shall be U.L. listed.



Broan-NuTone LLC, 926 West State Street, Hartford, WI 53027 (1-800-637-1453)

REFERENCE	QTY.	REMARKS	Project	
			Location	
			Architect	
			Engineer	
			Contractor	
			Submitted by	Date