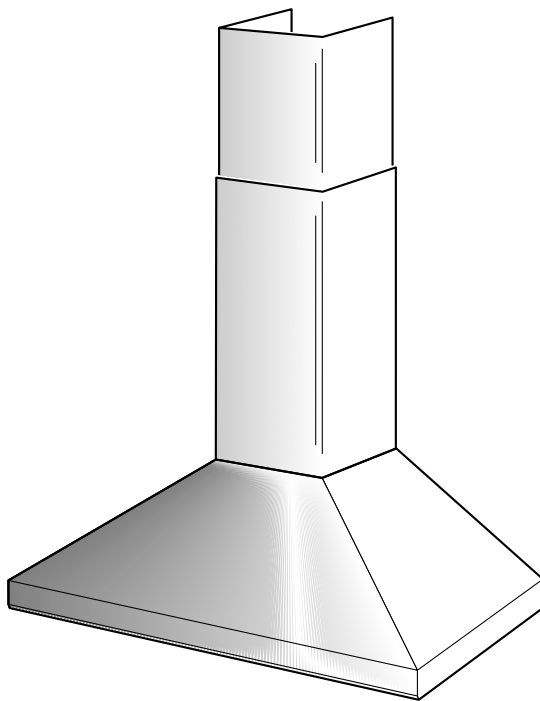


RANGEMASTER®
by Broan – NuTone

61000 Series



ENGLISH.....	2
FRANÇAIS.....	12
ESPAÑOL.....	22

BROAN MFG. CO., INC.
926 W. State St. Hartford, WI 53027

READ AND SAVE THESE INSTRUCTIONS

 **INTENDED FOR DOMESTIC COOKING ONLY** 

  **WARNING**

TO REDUCE THE RISK OF FIRE, ELECTRIC SHOCK, OR INJURY TO PERSONS, OBSERVE THE FOLLOWING:

1. Use this unit only in the manner intended by the manufacturer. If you have questions, contact the manufacturer at the address or telephone number listed in the warranty.
2. Before servicing or cleaning unit, switch power off at service panel and lock service panel to prevent power from being switched on accidentally. When the service disconnecting means cannot be locked, securely fasten a prominent warning device, such as a tag, to the service panel.
3. Installation work and electrical wiring must be done by a qualified person(s) in accordance with all applicable codes and standards, including fire-rated construction codes and standards.
4. Sufficient air is needed for proper combustion and exhausting of gases through the flue (chimney) of fuel burning equipment to prevent backdrafting. Follow the heating equipment manufacturer's guidelines and safety standards such as those published by the National Fire Protection Association (NFPA), and the American Society for Heating, Refrigeration and Air Conditioning Engineers (ASHRAE), and the local code authorities.
5. When cutting or drilling into wall or ceiling, do not damage electrical wiring and other hidden utilities.
6. Ducted fans must always be vented to the outdoors.
7. Do not use this unit with any separate solid-state speed control device.
8. To reduce the risk of fire, use only metal ductwork.
9. This unit must be grounded.

TO REDUCE THE RISK OF A RANGE TOP GREASE FIRE:

- A. Never leave surface units unattended at high settings. Boilovers cause smoking and greasy spillovers that may ignite. Heat oils slowly on low or medium settings.
- B. Always turn hood ON when cooking at high heat or when flambeing food (i.e. Crepes Suzette, Cherries Jubilee, Peppercorn Beef Flambe').
- C. Clean ventilating fans frequently. Grease should not be allowed to accumulate on fan or filter.
- D. Use proper pan size. Always use cookware appropriate for the size of the surface element.

  **WARNING**

TO REDUCE THE RISK OF INJURY TO PERSONS IN THE EVENT OF A RANGE TOP GREASE FIRE, OBSERVE THE FOLLOWING:*

1. **SMOTHER FLAMES** with a close-fitting lid, cookie sheet, or metal tray, then turn off the burner. **BE CAREFUL TO PREVENT BURNS.** If the flames do not go out immediately, **EVACUATE AND CALL THE FIRE DEPARTMENT.**
2. **NEVER PICK UP A FLAMING PAN** - You may be burned.
3. **DO NOT USE WATER**, including wet dishcloths or towels - violent steam explosion will result.
4. Use an extinguisher **ONLY** if:
 - A. You know you have a Class ABC extinguisher and you already know how to operate it.
 - B. The fire is small and contained in the area where it started.
 - C. The fire department is being called.
 - D. You can fight the fire with your back to an exit.

* Based on "Kitchen Fire Safety Tips" published by NFPA.

CAUTION

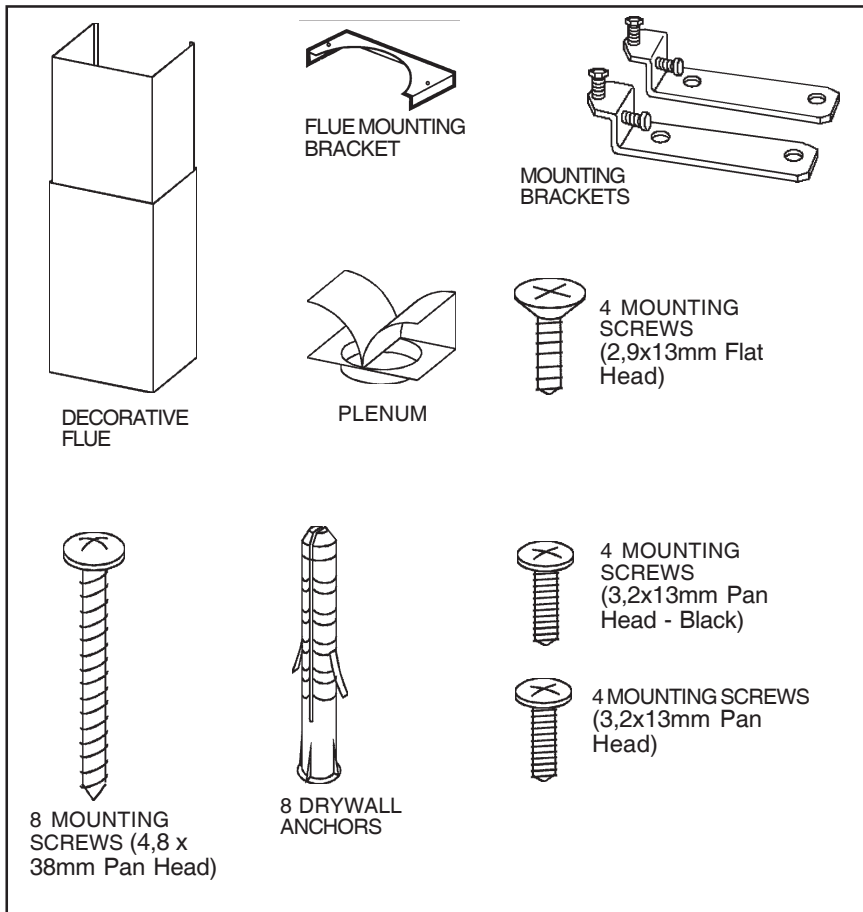
1. To reduce risk of fire and to properly exhaust air, be sure to duct air outside. Do not vent exhaust air into spaces within walls or ceilings or into attics, crawl spaces, or garages.
2. Take care when using cleaning agents or detergents.
3. Avoid using food products that produce flames under the Range Hood.
4. For general ventilating use only. Do not use to exhaust hazardous or explosive materials and vapors.
5. To avoid motor bearing damage and noisy and/or unbalanced impellers, keep drywall spray, construction dust, etc. off power unit.
6. Your hood motor has a thermal overload which will automatically shut off the motor if it becomes overheated. The motor will restart when it cools down. If the motor continues to shut off and restart, have the hood serviced.
7. For best capture of cooking impurities, the bottom of the hood should be a minimum of 24" and a maximum of 30" above the cooking surface.
8. Two installers are recommended because of the large size and weight of this hood.
9. This product is equipped with a thermostat which may start blower automatically. To reduce the risk of injury and to prevent power from being switched on accidentally, switch power off at service panel and lock or tag service panel.
10. Use with approved cord-connection kit only.
11. Please read specification label on product for further information and requirements.

PREPARE THE HOOD

Unpack hood and check contents.

You should receive:

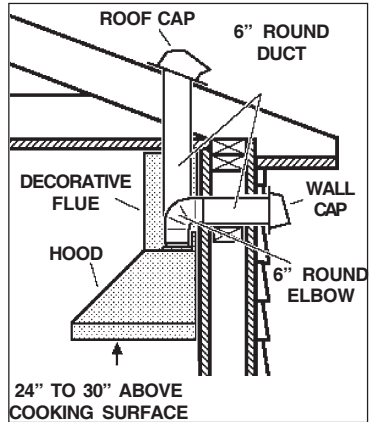
- 1 - Hood
- 1 - Decorative Flue Assembly
- 1 - Parts Bag (B080810614) containing:
 - 1 - Flue Mounting Bracket
 - 2 - Mounting Brackets
 - 8 - Mounting Screws (4,8 x 38mm Pan Head)
 - 4 - Mounting Screws (3,2 x 13mm Pan Head)
 - 4 - Mounting Screws (3,2 x 13mm Pan Head - Black)
 - 8 - Drywall Anchors
- 1 - Parts Bag (B08089123) containing:
 - 1 - Plenum
 - 4 - Mounting Screws (2,9 x 13mm - Flat Head)
- 1 - Installation Instructions



INSTALL THE DUCTWORK

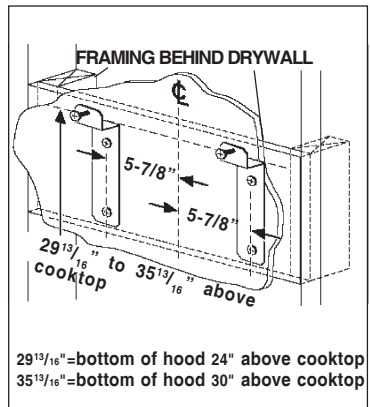
NOTE: To reduce the risk of fire, use only metal ductwork.

1. Decide where the ductwork will run between the hood and the outside.
2. A straight, short duct run will allow the hood to perform most efficiently.
3. Long duct runs, elbows, and transitions will reduce the performance of the hood. Use as few of them as possible.
4. Install a roof or wall cap. Connect 6" round metal ductwork to cap and work back towards hood location. Use duct tape to seal the joints between ductwork sections.



INSTALL MOUNTING BRACKETS

1. Construct wood wall **framing** that is **flush** with interior surface of wall studs.
Make sure:
 - a) the framing is centered over installation location.
 - b) the height of the framing will allow the **mounting brackets** to be secured to the framing within the dimensions shown.
2. After wall surface is finished, secure mounting brackets to framing using dimensions shown.

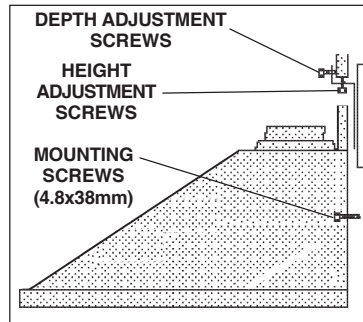
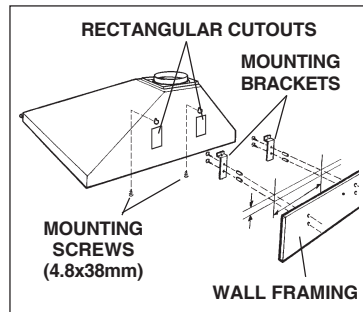
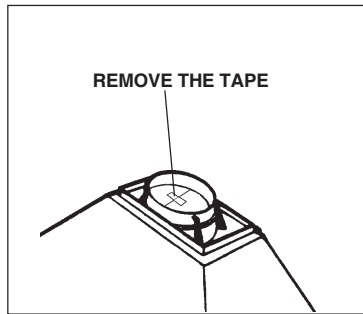


NOTE:

- On 8' ceilings, the hood distance above cook top is :
minimum 24", maximum 27-1/2".
- On 9' ceilings, the hood distance above cook top is :
 - minimum 27", maximum 30" (for Ducted Configuration).
 - minimum 24", maximum 30" (for Non-Ducted Configuration).

INSTALL THE HOOD

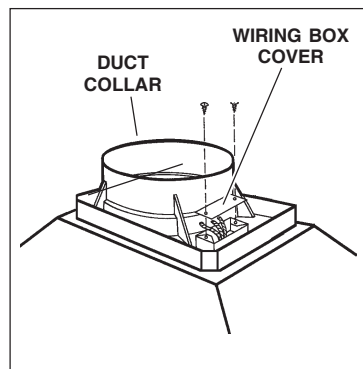
3. Remove the tape located on the damper.
4. Hang the hood from the brackets through the **rectangular cut-outs** on the back of the hood. Cut-outs are larger than the brackets to allow for horizontal adjustment. The bottom of the hood should be 24" to 30" above the cooking surface.
5. **Height adjustment screws** provide vertical adjustment.
6. **Depth adjustment screws** provide horizontal adjustment.
7. Secure the hood with **mounting screws** (4.8x38mm). Use drywall anchors, provided, if wall studs or framing are not available.



WIRING

Note: This range hood must be properly grounded. The unit should be installed by a qualified electrician in accordance with all applicable national and local electrical codes.

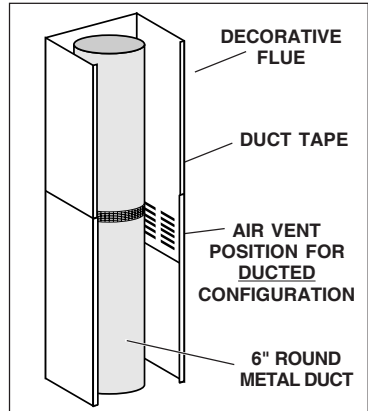
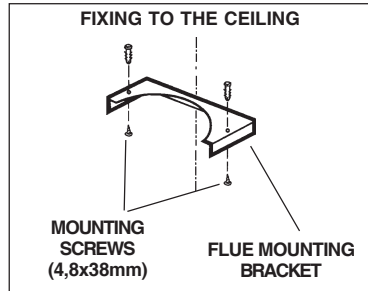
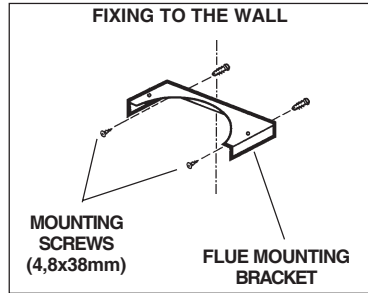
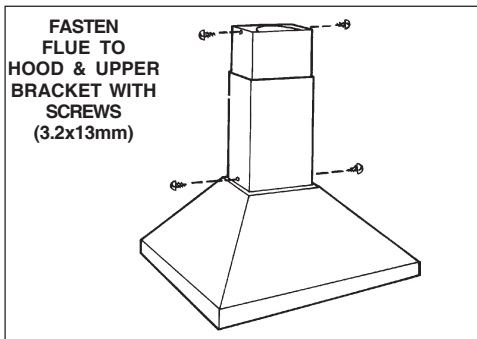
1. Remove the **wiring box cover**. Remove a knockout from the wiring box.
2. Secure the conduit to the wiring box through a conduit connector.
3. Make electrical connections. Connect white to white, black to black and green to green.
4. Replace wiring box cover and screws. Make sure that wires are not pinched between cover and box.



CONNECT DUCTWORK

Ducted Configuration

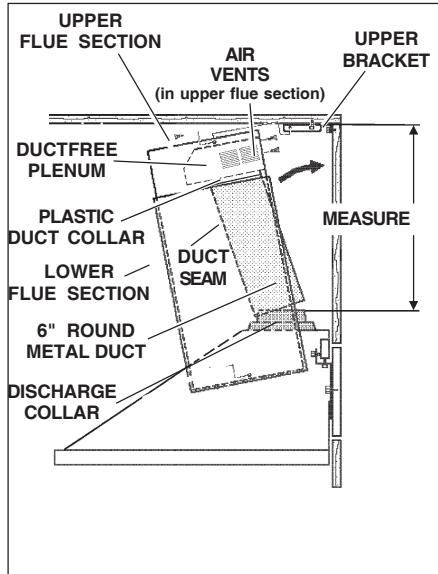
1. Use (2) screws (4.8x38mm) and wall anchors to secure **upper bracket** to the ceiling or wall as shown.
2. Use **6" round metal duct** to connect the duct collar on the hood to the ductwork above.
3. Use **duct tape** to make all joints secure and air tight.
4. Remove the 2 screws securing the flues.
5. Connect the upper section of decorative flue to the bracket with screws provided (3.2x13mm).
6. Slide the lower section of decorative flue downward, until it fits properly around hood.
7. Secure decorative flue to hood with screws provided (3.2x13mm).



CONNECT DUCTWORK

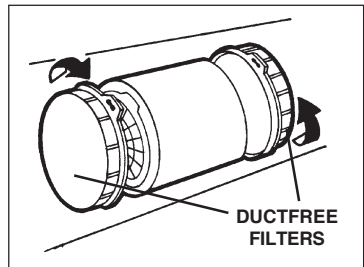
Non-Ducted Configuration

1. Use screws (4.8x38mm) and wall anchors (supplied) to secure the **upper bracket** to wall and ceiling as shown.
2. Turn **upper flue section** upside down so **air vents** are at the top. Slide upper flue section into **lower flue section**.
3. Snap the **plastic duct collar** into the hole in the bottom of the **ductfree plenum**. Connect the ductfree plenum to the upper flue section with (4) flat-head screws (2.9x13mm).
4. Measure the distance from the top of the **discharge collar** to the ceiling. Cut a length of **6" round metal duct** 5" shorter than this dimension.
5. Fit duct section over the plastic duct collar. For best fit, make sure **duct seam** is toward the front.
6. Set duct/flue assembly on hood with top tilted away from wall. Reach around flue to engage bottom of duct with discharge collar on hood. Tilt flue up against wall. Duct seam can be cut to length if necessary.
7. Raise upper flue section and screw it to upper bracket with (2) screws (3.9x9.5mm). Screw lower flue section to hood with (2) screws (3.9x9.5mm).



DUCTFREE FILTER INSTALLATION

1. Purchase a ductfree filters (ROUND FILTER - cod. B03300498) from your dealer.
2. Position the filters over the mounting brackets on the blower inlet.
3. Rotate to lock filters in place.



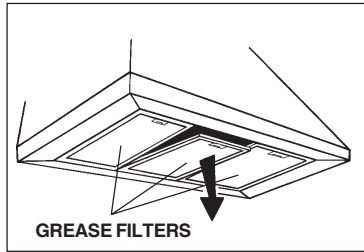
MAINTENANCE

Proper maintenance of the Range Hood will assure proper performance of the unit.

Grease Filters

The **grease filters** should be cleaned frequently. Use a warm detergent solution. Grease filters are dishwasher safe.

To take off the grease filters: at the handle, push the stop inwards and pull the filters downwards.



Ductfree Filters

The ductfree filters should be changed every 6 months. Rotate the filters to remove and replace.

Hood Cleaning

Stainless steel is one of the easiest materials to keep clean. Occasional care will help preserve its fine appearance.

Cleaning tips:

- Hot water with soap or detergent is all that is usually needed.
- Follow all cleaning by rinsing with clear water. Wipe dry with a clean, soft cloth to avoid water marks.
- For discolorations or deposits that persist, use a non-scratching household cleanser or stainless steel polishing powder with a little water and a soft cloth.
- For stubborn cases, use a plastic scouring pad or soft bristle brush together with cleanser and water. Rub lightly in direction of polishing lines or "grain" of the stainless finish. Avoid using too much pressure which may mar the surface.
- **DO NOT** allow deposits to remain for long periods of time.
- **DO NOT** use ordinary steel wool or steel brushes. Small bits of steel may adhere to the surface causing rust.
- **DO NOT** allow salt solutions, disinfectants, bleaches, or cleaning compounds to remain in contact with stainless steel for extended periods. Many of these compounds contain chemicals which may be harmful. Rinse with water after exposure and wipe dry with a clean cloth.

Painted surfaces should be cleaned with warm water and mild detergent only.

OPERATION

Controls

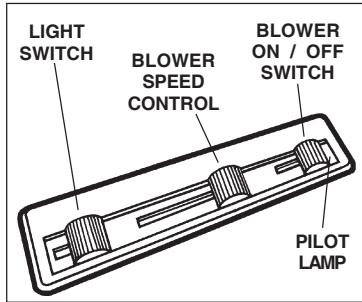
The hood is operated using the slide controls under the front edge of the hood.

The **light switch** turns the halogen lights on and off.

The **blower on / off switch** turns the blower on to the running speed set by the blower speed control. The blower must be turned on and off using this switch.

The **blower speed control** changes the running speed of the blower (1-2-3).

The **pilot lamp** lights up whenever the blower is on.



HEAT SENTRY™

Your hood is equipped with a HEAT SENTRY™ thermostat. This thermostat is a device that will turn on or speed up the blower if it senses excessive heat above the cooking surface.

1) If blower is OFF - it turns blower ON to HIGH speed.

2) If blower is ON at a lower speed setting - it turns blower up to HIGH speed.

When the temperature level drops to normal, the blower will return to its original setting.

WARNING

The HEAT SENTRY thermostat can start the blower even if the hood is turned OFF. When this occurs, it is impossible to turn the blower OFF with its switch. If you must stop the blower, do it from the main electrical panel.

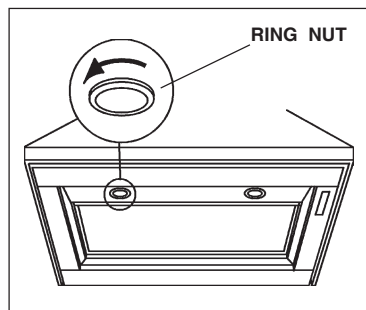
HALOGEN BULBS

This range hood requires two halogen bulbs (Type JC, 12V, 20W, G-4 Base).

ALWAYS SWITCH OFF THE ELECTRICITY SUPPLY BEFORE CARRYING OUT ANY OPERATIONS ON THE APPLIANCE.

To change bulbs:

1. Slacken the ring nut in an anticlockwise direction.
2. Remove the bulb by pulling sideward (Do not rotate). CAUTION: BULB MAY BE HOT!
3. Replace with a bulb of the same type.



If lights fail to operate, disconnect power at the service entrance. Check fuse and replace if necessary.

FUSE REPLACEMENT

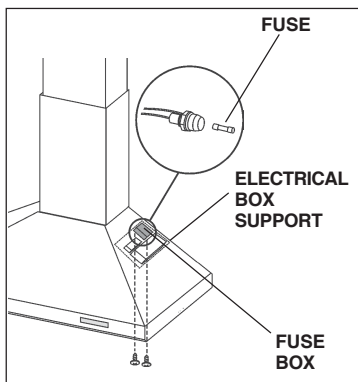
SWITCH OFF THE ELECTRICITY SUPPLY.

Remove the grease filters.

Remove the fuse box screws.

Open the fuse box.

Replace with the same type of fuse (5x20mm, 4A, 125V).



WARRANTY

BROAN-NUTONE LLC ONE YEAR LIMITED WARRANTY

Broan-NuTone LLC warrants to the original consumer purchaser of its products that such products will be free from defects in materials or workmanship for a period of one year from the date of original purchase. THERE ARE NO OTHER WARRANTIES, EXPRESS OR IMPLIED, INCLUDING, BUT NOT LIMITED TO, IMPLIED WARRANTIES OR MERCHANT ABILITY OR FITNESS FOR A PARTICULAR PURPOSE.

During this one-year period, Broan-NuTone LLC will, at its option, repair or replace, without charge, any product or part which is found to be defective under normal use and service.

THIS WARRANTY DOES NOT EXTEND TO FLUORESCENT LAMP STARTERS, TUBES, HALOGEN AND INCANDESCENDT BULBS. This warranty does not cover (a) normal maintenance and service or (b) any products or parts which have been subject to misuse, negligence, accident, improper maintenance or repair (other than by Broan-NuTone LLC), faulty installation or installation contrary to recommended installation instructions.

The duration of any implied warranty is limited to the one-year period as specified for the express warranty. Some states do not allow limitation on how long an implied warranty lasts, so the above limitation may not apply to you.

BROAN-NUTONE LLC'S OBLIGATION TO REPAIR OR REPLACE, AT BROAN-NUTONE LLC'S OPTION, SHALL BE THE PURCHASER'S SOLE AND EXCLUSIVE REMEDY UNDER THIS WARRANTY. BROAN-NUTONE LLC SHALL NOT BE LIABLE FOR INCIDENTAL, CONSEQUENTIAL OR SPECIAL DAMAGES ARISING OUT OF OR IN CONNECTION WITH PRODUCT USE OR PERFORMANCE. Some states do not allow the exclusion or limitation of incidental or consequential damages, so the above limitation or exclusion may not apply to you.

This warranty gives you specific legal rights, and you may also have other rights, which vary from state to state. This warranty supersedes all prior warranties.

To qualify for warranty service, you must (a) notify Broan-NuTone LLC at the address stated below or telephone: 1-800-637-1453, (b) give the model number and part identification and (c) describe the nature of any defect in the product or part. At the time of requesting warranty service, you must present evidence of the original purchase date.

Broan-NuTone LLC, 926 West State Street, Hartford, WI 53027 (1-800-637-1453)

NuTone, Inc., 4820 Red Bank Road, Cincinnati, OH 45227 (1-800-543-8687)

Broan-NuTone Canada, Inc. 1140 Tristar Drive, Mississauga, Ontario, L5T 1H9 (1-888-882-7626)

LISEZ ET CONSERVEZ CES INSTRUCTIONS

 **SEULEMENT POUR UTILISATION DOMESTIQUE** 

AVERTISSEMENTS

POUR REDUIRE LES RISQUES D'INCENDIE, DE DECHARGES ELECTRIQUES OU DE DOMMAGES AUX PERSONNES, OBSERVEZ LES INSTRUCTIONS SUIVANTES:

1. N'utilisez cet appareil que comme cela est indiqué par le constructeur. Si vous avez des problèmes, contactez le fabricant à l'adresse ou au numéro de téléphone indiqués dans la garantie.
2. Avant de pourvoir à l'entretien ou au nettoyage de votre appareil, éteignez-le au tableau des commandes ou bloquez le tableau des commandes afin d'éviter de le mettre en marche accidentellement. Si vous ne pouvez pas bloquer le système permettant d'éteindre votre appareil, appliquez un avertissement extérieur d'une façon sûre, comme par exemple un panneau, sur le tableau des commandes.
3. L'assemblage et la connexion électrique doivent être faits par des personnes qualifiées en respectant les normes et règlements en vigueur, y compris les normes et règlements concernant les possibilités d'incendie.
4. Il est indispensable qu'il y ait suffisamment d'air pour que la combustion et l'évacuation des gaz à travers le tuyau du brûleur du combustible ait lieu sans retour de flamme. Suivez les indications données par le fabricant du brûleur ainsi que les normes de sécurité comme celles qui sont publiées par l'Association Nationale pour la Protection contre les Incendies National Fire Protection Association (NFPA) et la American Society for Heating, Refrigeration and Air Conditioning Engineers (ASHRAE), et les autorités locales en matière de normes.
5. Quand vous coupez ou percez des trous dans le mur ou le plafond, n'abîmez pas les fils électriques ou autres.
6. Le ventilateur canalisé doit toujours évacuer l'air vers l'extérieur.
7. N'utilisez pas cet appareil avec un appareil contrôlant la vitesse à état solide.
8. Afin de diminuer tout risque d'incendie n'utilisez que des conduits en métal.
9. Votre appareil doit être relié à la terre.

ATTENTION - POUR REDUIRE LES RISQUES D'INCENDIE DES MATIERES GRASSES QUI SONT EN TRAIN DE CUIRE:

- A. Ne laissez jamais ni vos éléments chauffants, ni vos casseroles ou poêles sur le feu sans les contrôler si vous réglez l'apport de chaleur sur une position élevée. Si vos casseroles ou poêles débordent cela provoque de la vapeur et des éclaboussures de graisse qui peuvent prendre feu. Chauffez les huiles lentement à feu bas ou moyen.
- B. Faites toujours fonctionner votre hotte quand vous cuisez à des températures élevées ou quand vous cuisinez des plats flambés. (par ex. crêpes Suzette, Cerises "Jubilé", Steak au poivre flambé).
- C. Nettoyez régulièrement les ailes de vos ventilateurs. Ne permettez pas que la graisse s'accumule sur le ventilateur ou sur le filtre.
- D. Utilisez des casseroles de taille appropriée. Utilisez toujours des ustensiles de cuisson dont la taille est appropriée à la surface de votre élément de cuisson.

AVERTISSEMENTS

POUR REDUIRE LES RISQUES DE DOMMAGES AUX PERSONNES AU CAS OÙ VOTRE CUISINIÈRE PRENDRAIT FEU, OBSERVEZ LES INSTRUCTIONS SUIVANTES:*

1. **ETEINDRE LES FLAMMES** à l'aide d'un couvercle le plus hermétique possible, une plaque à gâteaux, ou un plateau en métal, puis éteindre le brûleur. **ATTENTION à NE PAS VOUS BRÛLER.** Si les flammes ne s'éteignent pas immédiatement, **SORTEZ ET APPELEZ LES POMPIERS.**
2. **NE PRENEZ JAMAIS EN MAIN UNE POÊLE OU UNE CASSEROLE QUI A PRIS FEU** - Vous pourriez vous brûler.
3. **N'UTILISEZ PAS D'EAU,** ni torchons ou serviettes mouillés - vous provoqueriez une violente explosion de vapeur.

4. Utilisez un extincteur SEULEMENT si:
 - A. Vous savez que vous avez un extincteur Classe ABC, et vous en connaissez déjà le mode d'emploi.
 - B. Ce n'est pas un très gros incendie et qu'il se limite à l'endroit où il a explosé.
 - C. Vous êtes en train d'avertir les pompiers.
 - D. Vous avez la possibilité d'essayer d'éteindre l'incendie en ayant le dos tourné vers une issue.
- * D'après les "Suggestions concernant la Sécurité contre les incendies des cuisines" publiées par NFPA.



ATTENTION

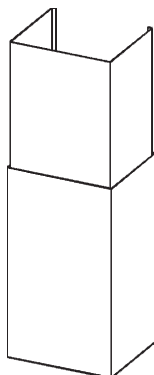
1. Pour réduire tout risque d'incendie et pour évacuer correctement l'air, assurez-vous de prévoir un conduit de ventilation extérieur. Ne videz pas l'air dans les espaces limités par des murs ou des plafonds, les combles, les passages étroits ou les garages.
2. Faites très attention quand vous utilisez des produits de nettoyage ou des détergents.
3. Évitez d'utiliser des aliments pouvant s'enflammer sous la Range Hood.
4. N'utilisez cet appareil que pour une ventilation générale. Ne l'utilisez pas pour évacuer des matières ou des vapeurs dangereuses ou qui peuvent exploser.
5. Pour éviter de causer des dommages au moteur et de rendre les rotors bruyants et/ou non équilibrés, évitez que les sprays pour murs secs, la poussière de construction entrent en contact avec la partie électrique.
6. Le moteur de votre hotte a un thermostat qui éteindra automatiquement le moteur s'il est surchauffé. Le moteur se remettra en marche lorsqu'il se sera refroidi. Si le moteur continue à s'éteindre et à se remettre en marche, faites vérifier votre hotte.
7. Pour mieux capturer les impuretés de cuisine, le bas de votre hotte devrait être à une distance minimum de 24" et à une distance maximum de 30" au-dessus du plan de cuisson.
8. Vu que cette hotte est grande et lourde, il est recommandé de confier l'installation de cette hotte à deux personnes.
9. Ce produit est doté d'un thermostat qui active automatiquement le moteur. Pour réduire le risque de dommages et éviter l'activation accidentelle, positionner l'interrupteur du panneau de service sur la position OFF et bloquer le panneau de service ou mettre un avertissement externe, par exemple une plaquette.
10. Utiliser uniquement avec un kit de connexion pour alimentation homologué.
11. Nous vous recommandons de lire l'étiquette indiquant les caractéristiques de votre hotte pour de plus amples informations et exigences.

PREPAREZ LA HOTTE

Enlever la hotte dans l'emballage et contrôler le contenu.

Vous devez recevoir :

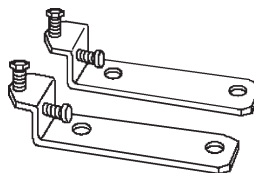
- 1 - Hotte
- 1 - Conduit décoratif
- 1 - Sachet (B080810614) avec:
 - 1 - Étrier de support
 - 2 - Étriers d'assemblage
 - 8 - Vis d'assemblage (4,8 x 38mm Tête ronde)
 - 4 - Vis d'assemblage (3,2 x 13mm Tête ronde)
 - 4 - Vis d'assemblage (3,2 x 13mm Tête ronde - Noire)
 - 8 - Chevilles
- 1 - Sachet (B08089123) avec:
 - 1 - Déflecteur
 - 4 - Vis d'assemblage (2,9 x 13mm Tête plate)
- 1 - Instructions pour l'installation



CONDUIT
DECORATIVE



ETRIER DE
SUPPORT



ETRIERS
D'ASSEMBLAGE



DEFLECTEUR



4 VIS
D'ASSEMBLAGE
(2,9x13mm
Tête plate)



8 VIS
D'ASSEMBLAGE
(4,8x38mm Tête
ronde)



8 CHEVILLES



4 VIS
D'ASSEMBLAGE
(3,2x13mm Tête
ronde - Noire)

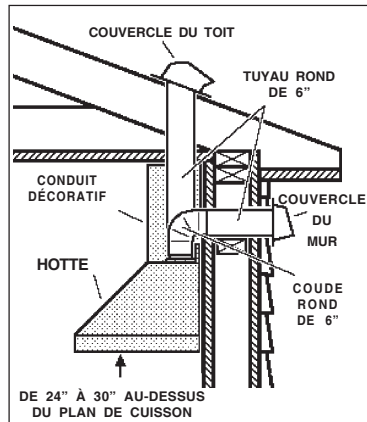


4 VIS
D'ASSEMBLAGE
(3,2x13mm
Tête ronde)

INSTALLATION DU SYSTEME D'EVACUATION

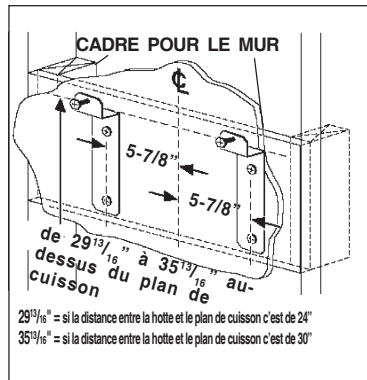
REMARQUE: Pour réduire les risques d'incendie, n'utilisez que des tuyaux en métal.

1. Décidez où le tuyau doit être installé, entre votre hotte et l'extérieur.
2. Un tuyau droit et court permettra à votre hotte de fonctionner d'une façon plus efficace. Un tuyau long avec des coudes et des transitions réduira le bon fonctionnement de votre hotte. En utiliser le moins possible.
3. Installez un couvercle sur le toit ou au mur. Reliez un tuyau en métal rond de 6" au couvercle et faites-le aller jusqu'à l'emplacement de votre hotte. Rendez les jonctions du tuyau hermétiques au moyen d'un ruban pour tuyaux.



INSTALLATION DES ETRIER D'ASSEMBLAGE

1. Construisez un **cadre** en bois pour le mur dont les vis-pivot ne dépassent pas. Assurez-vous:
 - a) que le cadre est centré au-dessus de l'emplacement de l'installation.
 - b) la hauteur du cadre permettra que les **étriers d'assemblage** soient fixés au cadre en respectant les dimensions indiquées.
2. Après avoir terminé la surface du mur, fixez les **étriers d'assemblage** au cadre en respectant les dimensions qui sont indiquées.

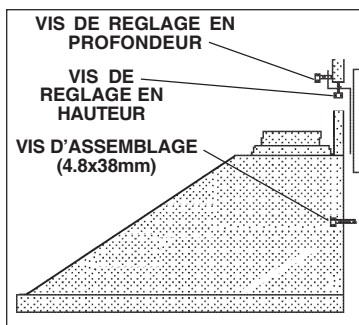
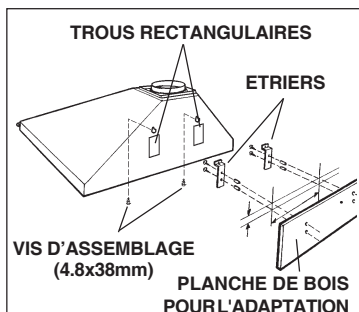
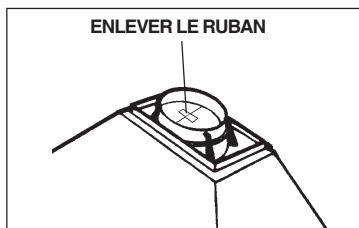


Note:

- Lorsque le plafond est de 8', la distance above cook top is:
 - minimum 24", maximum 27-1/2".
- Lorsque le plafond est de 9', la distance above cook top is:
 - minimum 27", maximum 30" (pour modèle avec tuyau d'évacuation)
 - minimum 24", maximum 30" (pour modèle recyclant l'air)

INSTALLATION DE VOTRE HOTTE

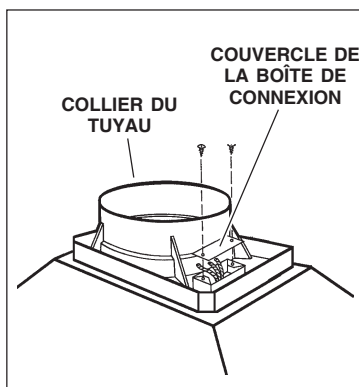
1. Enlever le ruban positionné sur le clapet.
2. Accrochez votre hotte aux étriers par les **trous rectangulaires** qui se trouvent derrière votre hotte. Les trous sont plus grands que les étriers afin de vous permettre d'ajuster le tout horizontalement. Le fond de votre hotte devrait être à entre 24" et 30" au-dessus de la surface de cuisson.
3. Les **vis de réglage en hauteur** permettent de régler verticalement. Les **vis de réglage en profondeur** permettent de régler horizontalement.
4. Fixez votre hotte avec des **vis d'assemblage** (4.8x38mm). Utilisez des chevilles pour mur à sec, qui vous sont fournies, si vous ne trouvez pas les vis-pivot ou le cadre.



INSTALLATION ELECTRIQUE

Remarque: Ce modèle de hotte doit être relié à la terre correctement. Cet article devrait être installé par un électricien qualifié selon les lois nationales et locales en matière d'électricité.

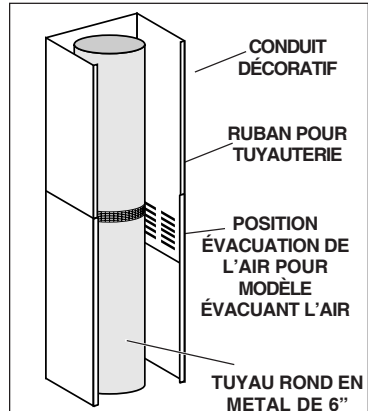
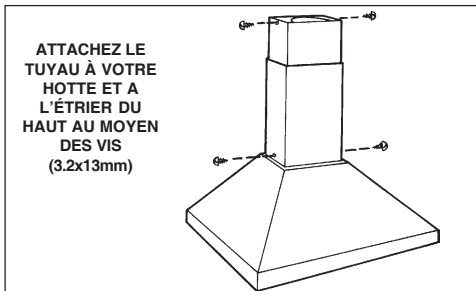
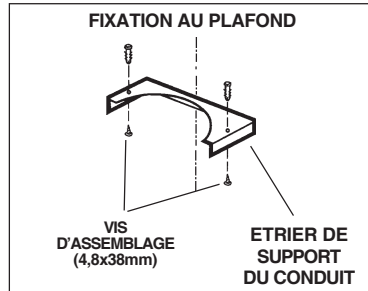
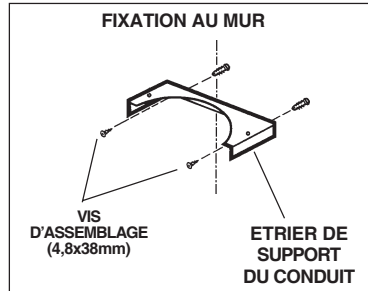
1. Enlevez le couvercle de la **boîte de connexion électrique**. Ouvrez un trou de la boîte de connexion électrique.
2. Fixer le "conduit" au boîtier de connexion à l'aide d'un connecteur approprié pour ce "conduit".
3. Faites le raccordement électrique. Reliez le blanc au blanc, le noir au noir et le vert au vert.
4. Remettez le couvercle de la boîte de connexion et les vis. Assurez-vous que les fils se sont pas coincés entre le couvercle et la boîte.



CONNEXION DU SYSTEME D'EVACUATION

Modèle avec tuyau d'évacuation

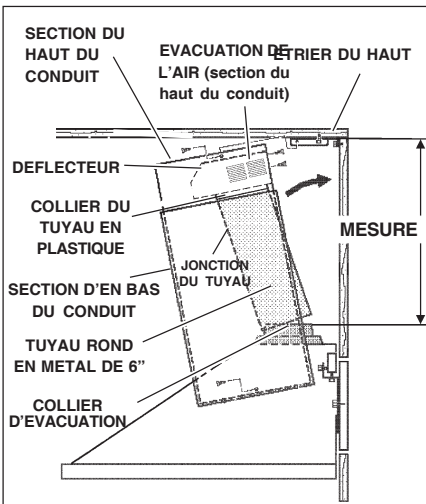
1. Attachez l'étrier de support du conduit au plafond ou au mur au moyen des (2) vis (4.8x38mm) et des chevilles comme cela est indiqué.
2. Reliez le collier du tuyau qui se trouve sur votre hotte au système de conduction qui se trouve au-dessus au moyen d'un **tuyau rond en métal de 6"**.
3. Utilisez un ruban pour tuyauterie afin de rendre toutes les jonctions sûres et étanches.
4. Retirer les 2 vis assurant le blocage de conduit décoratif.
5. Reliez le haut de conduit décoratif à l'étrier au moyen des vis qui vous sont fournies (3.2x13mm).
6. Faites glisser la section du bas du conduit décoratif vers le bas, jusqu'à ce qu'il adhère correctement autour de la hotte.
7. Fixez le conduit décoratif à votre hotte au moyen des vis qui vous sont fournies (3.2x13mm).



CONNEXION DU SYSTEME D'EVACUATION

Modèle recyclant l'air

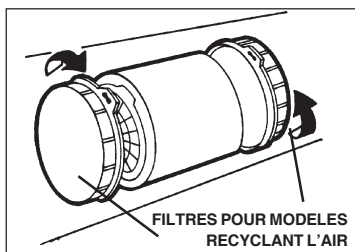
1. Attachez l'**étrier du haut** (qui vous est fourni) au plafond et au mur au moyen des vis (4.8x38mm) et des chevilles comme cela est indiqué.
2. Faites tourner la **section d'en haut du conduit** vers le bas de sorte que la évacuation de l'air soit vers le haut. Faites glisser la section du haut du conduit dans la **section du bas du conduit**.
3. Poussez le **collier du tuyau en plastique** dans le trou qui se trouve au fond du **défecteur**. Reliez le déflecteur à la section du haut du conduit au moyen de (4) vis à tête plate (2.9x13mm).
4. Mesurez la distance qu'il y a entre le haut du **collier d'évacuation** et le plafond. Coupez un **tuyau rond en métal de 6"** de moins que cette dimension.
5. Mettez le tuyau au-dessus du collier du tuyau en plastique. Pour qu'il adhère mieux, assurez-vous que la **jonction du tuyau** se trouve vers l'avant.
6. Placez l'ensemble tuyau/conduit sur votre hotte le haut étant incliné par rapport au mur. Tournez autour du conduit pour mettre le bas du tuyau avec le collier d'évacuation sur votre hotte. Poussez le conduit vers le haut, contre le mur. Le jonction du tuyau peut être coupé selon la hauteur si cela est nécessaire.
7. Tenez le haut du conduit et vissez-le à l'étrier de support au moyen de (2) vis (3.9x9.5mm). Vissez le bas du conduit à votre hotte au moyen de (2) vis (3.9x9.5mm).



ASSEMBLAGE DU FILTRE (MODELE RECYCLANT L'AIR)

1. Procurez-vous un ensemble filtre version recyclage (FILTRE RONDE - cod. B03300498) chez votre fournisseur.
2. Placez les filtres au-dessus des étriers permettant l'assemblage qui se trouvent à l'entrée du ventilateur.

Grâce à un mouvement rotatif, fixez les filtres à leur place.



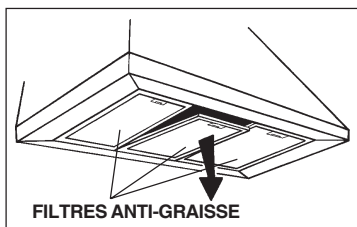
ENTRETIEN

Un bon entretien de votre hotte garantira une excellente performance.

Filtres anti-graisse

Les **filtres anti-graisse** doivent être nettoyés fréquemment. Utilisez une solution contenant un détergent tiède. Les filtres anti-graisse peuvent être lavés au lave-vaisselle.

Pour enlever les filtres anti-graisse: à l'aide de la poignée, pousser l'arrêt vers l'intérieur et tirer le filtre vers le bas.



Filtres pour modèles recyclant l'air

Les filtres pour modèles recyclant l'air doivent être remplacés tous les 6 mois. Faites tourner les filtres afin de les enlever et de les remettre.

Nettoyage de votre hotte

L'acier inoxydable est une des matières les plus faciles à nettoyer. Un entretien de temps en temps permettra de le conserver en parfait état. Conseils pour le nettoyage:

- Eau chaude et savon ou détergent est tout ce qui est normalement nécessaire.
- Après chaque nettoyage, rincez bien à l'eau claire. Essuyez avec un chiffon propre et doux afin d'éviter les taches d'eau.
- Si des décolorations ou des dépôts persistent, utilisez un nettoyant domestique non abrasif ou de la poudre pour l'acier inoxydable et un peu d'eau et un chiffon doux.
- Dans les cas difficiles, utilisez une éponge en plastique ou une brosse douce avec du nettoyant et de l'eau. Frottez légèrement en suivant la direction du polissage ou du "grain" de l'acier inoxydable. Evitez de frotter trop fort afin de ne pas abîmer la surface.
- **NE LAISSEZ PAS** les taches trop longtemps.
- **N'UTILISEZ PAS** de laines d'acier ordinaires ou des brosses en acier. Des débris d'acier pourraient adhérer à la surface et causer de la rouille.
- **NE PERMETTEZ PAS** que des solutions salées, des désinfectants, des blanchissants ou des produits nettoyants restent en contact avec l'acier pendant longtemps. Beaucoup de ces produits contiennent des produits chimiques qui pourraient causer des dommages. Rincez à l'eau immédiatement s'ils entrent en contact et essuyez avec un chiffon humide.

Les surfaces peintes doivent être nettoyées avec de l'eau tiède additionnée d'un détergent doux seulement.

FONCTIONNEMENT

Commandes

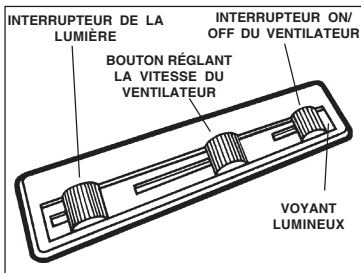
Votre hotte fonctionne grâce à des interrupteurs que vous faites glisser sur le devant de votre hotte.

L'**interrupteur de la lumière** allume et éteint les lampes halogènes.

L'**interrupteur ON/OFF du ventilateur** fait fonctionner le ventilateur à la vitesse établie par le bouton réglant la vitesse. Le ventilateur est mis en marche et arrêté au moyen de cet interrupteur.

Le **bouton réglant la vitesse** change la vitesse de fonctionnement du ventilateur (1-2-3).

Le **voyant lumineux** s'allume quand le ventilateur fonctionne.



HEAT SENTRY^{MC}

Votre hotte est munie d'un thermostat HEAT SENTRY^{MC}. Ce thermostat est un dispositif qui actionnera ou augmentera la vitesse du ventilateur s'il détecte une chaleur excessive au-dessus de la surface de cuisson.

1) Si le ventilateur n'est pas en marche - il actionnera le ventilateur en haute vitesse.

2) Si le ventilateur fonctionne en basse vitesse - le ventilateur tournera en haute vitesse.

Lorsque la température revient à la normale, le ventilateur retourne à sa vitesse d'origine.

AVERTISSEMENT

Le thermostat HEAT SENTRY^{MC} peut actionner la hotte même si la hotte est arrêtée. Si tel est le cas, il est impossible de l'arrêter avec l'interrupteur. Si vous devez arrêter le ventilateur, faites-le à partir du panneau électrique principal.

AMPOULES HALOGENES

Ce modèle de hotte veut deux (2) ampoules halogènes (Type JC, 12V, 20W, G-4 Base).

AVANT DE PROCÉDER À QUELCONQUE OPÉRATION, DÉBRANCHEZ L'APPAREIL.

Pour changer les ampoules:

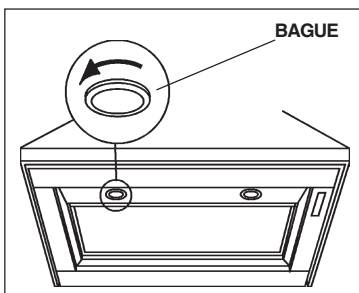
1. Dévissez la bague dans le sens contraire aux aiguilles d'une montre.
2. Enlevez l'ampoule en tirant sur le côté (Ne la faites pas tourner).

ATTENTION: L'AMPOULE PEUT ÊTRE CHAUDE!

3. Remplacer par une ampoule ayant les mêmes caractéristiques.

Si les ampoules ne fonctionnent pas, débranchez l'appareil.

Vérifiez le fusible et remplacez-le si nécessaire.



REEMPLACEMENT FUSIBLE

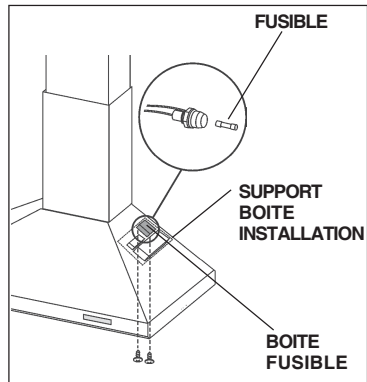
DÉBRANCHEZ L'APPAREIL.

Enlevez les filtres anti-graisse.

Enlevez les vis sur la boîte fusible.

Ouvrir la boîte fusible.

Remplacez par un fusible du même type (5x20mm, 4A, 125V).



GARANTIE

GARANTIE BROAN-NUTONE LLC LIMITÉE À UN AN

Broan-NuTone LLC garantit au consommateur-acheteur de ses produits que ces produits seront sans défauts concernant les matières employées et concernant la fabrication pendant une période d'un an à partir de la date d'achat. IL N'Y A AUCUNE AUTRE GARANTIE, EXPLICITE OU IMPLICITE, Y COMPRIS, MAIS NON PAS LIMITEE A, LES GARANTIES IMPLICITES OU CONCERNANT LA CAPACITE COMMERCIALE OU LA CONVENANCE POUR TOUT BUT PARTICULIER. Pendant cette période d'un an, Broan-NuTone LLC réparera ou remplacera, s'il le jugera nécessaire, gratuitement, tout article ou toute pièce qui résulteront défectueux à condition qu'ils aient été utilisés et entretenus correctement.

CETTE GARANTIE NE S'ETEND PAS AUX INTERRUPTEURS DES NEON, NEON, LAMPES HALOGENES, AMPOULES d'ILLUMINATION. Cette garantie ne couvre pas (a) l'entretien normal ni (b) tout article ou toute pièce qui aient subi une utilisation erronée, une négligence, un accident, un entretien erroné ou une réparation (autre que de la part de Broan-NuTone LLC), une installation défectueuse ou bien une installation ne respectant pas les instructions d'installation recommandées. La durée de toute garantie implicite est limitée à un an comme cela est spécifié dans la garantie explicite. Quelques états ne permettent pas de limites quant à la durée d'une garantie implicite, par conséquent la limitation indiquée ci-dessus peut ne pas vous concerner.

L'OBLIGATION DE REPARER OU DE REMPLACER DE LA PART DE BROAN-NUTONE LLC SERA LE SEUL ET EXCLUSIF REMEDE DE L'ACHETEUR COUVERT PAR CETTE GARANTIE. BROAN-NUTONE LLC NE SERA PAS RESPONSABLE DES DOMMAGES ACCIDENTELS, CONSEQUENTIELS OU SPECIAUX DUS A L'UTILISATION DU PRODUIT OU A SA PERFORMANCE OU EN ETANT LA CONSEQUENCE. Quelques états ne permettent pas l'exclusion ou la limitation des dommages accidentels ou consécutifs, par conséquent la limitation indiquée ci-dessus peut ne pas vous concerner.

Cette garantie vous donne des droits légaux spécifiques, et vous pouvez aussi avoir d'autres droits, qui varient d'Etat à Etat. Cette garantie dépasse toute garantie précédente. Pour avoir droit à la garantie, vous devez (a) avvertir la Maison Broan-NuTone LLC à l'adresse indiquée ci-dessous ou téléphoner : 1-800-637-1453, (b) donner le numéro du modèle et l'identification de la pièce défectueuse et (c) décrire la nature de tout défaut de l'article ou de la pièce. Au moment où vous demandez le service de garantie, vous devez présenter la preuve d'achat avec la date.

Broan-NuTone LLC, 926 West State Street, Hartford, WI 53027 (1-800-637-1453)

NuTone, Inc., 4820 Red Bank Road, Cincinnati, OH 45227 (1-800-543-8687)

Broan-NuTone Canada, Inc. 1140 Tristar Drive, Mississauga, Ontario, L5T 1H9 (1-888-882-7626)

LEA Y CONSERVE ESTAS INSTRUCCIONES

 **INDICADO PARA EL USO EN COCINAS DOMESTICAS** 

  **ADVERTENCIA**

PARA EVITAR EL RIESGO DE INCENDIO, CORTOCIRCUITO O DAÑO PARA LAS PERSONAS, OBSERVE ATENTAMENTE LAS SIGUIENTES NORMAS:

1. Use esta unidad solamente de la manera indicada por el fabricante; si tiene dudas, póngase en contacto con éste a la dirección o teléfono indicados en la garantía.
2. Antes de hacer una revisión o de limpiar la unidad, desconéctela de la red para evitar que se encienda de manera accidental. En el caso de que éste no pueda ser desactivado, se indicará nel panel de servicio.
3. El montaje y la instalación eléctrica debe hacerlos un técnico especializado siguiendo las normas estándar e incluyendo aquellas de construcción anti incendio.
4. Necesita aire suficiente para una apropiada combustión y escape de gases a través del tubo del depósito de quema de combustible. Para evitar que el humo aspirado vuelva a la cocina, siga las directivas del fabricante y las normas estándar de seguridad así como las normas publicadas por la Asociación de prevención de incendios (NFPA) y la Sociedad americana de especialistas en cale-facción, refrigeración y aire acondicionado y además las normas de las autoridades locales.
5. Hacer un corte o un taladro en la pared o en el techo no debe dañar la instalación eléctrica u otras instalaciones ocultas en la pared.
6. Los conductos ventiladores deben siempre desalojar al exterior.
7. No use esta unidad con dispositivo de control de la velocidad a estado sólido.
8. Para evitar el riesgo de incendio, use solamente conductos de metal.
9. Esta unidad tiene que ser conectada a tierra.

PARA EVITAR EL RIESGO DE FUEGO POR ALTO NIVEL DE GRASA:

- A. Nunca abandone los quemadores con el fuego alto. La cocción causa humo y restos de grasa que pueden arder. Caliente el aceite a fuego medio o bajo.
- B. Encienda siempre la campana cuando cocine a fuego alto o cuando cocine alimentos fácilmente inflamables. (por ejemplo Crepes Suzette, Cerezas Jubilee, Ternera flambeada con granos de pimienta).
- C. Limpie con frecuencia los ventiladores. No se debe acumular grasa en el ventilador o en el filtro.
- D. Usa el tamañ de cazuela apropiado. Use siempre utensilios de cocina de tamaño y material adecuados.

  **ADVERTENCIA**

PARA EVITAR EL RIESGO DE DAÑOS A PERSONAS EN CASO DE FUEGO POR ALTO NIVEL DE GRASA, TENGA EN CUENTA LO SIGUIENTE:*

1. SOFOQUE LA LLAMA con una tapadera apropiada, una bandeja metálica ó un utensilio de cocina que pueda cubrirla, despues, apague el quemador. ACTÚE CON PRECAUCIÓN PARA EVITAR QUEMADURAS. Si la llama no se extingue inmediatamente, SALGA Y LLAME A LOS BOMBEROS.
2. NUNCA COJA UNA SARTEN EN LLAMAS, porque corre el riesgo de quemarse.
3. NO USE AGUA ni paños o toallas húmidas porque puede provocarse una violenta humareda.
4. Use un extintor SOLAMENTE si:
 - A. Posee un extintor de clase ABC y sabe perfectamente cómo usarlo.
 - B. El fuego es pequeño y está controlado en el mismo sitio en que empezó.
 - C. Ha llamado con anterioridad a los bomberos.
 - D. Puede combatir el fuego retrocediendo hacia la salida.

* Basado en "Seguridad antifuego en la cocina" publicado por NFPA.

ADVERTENCIA

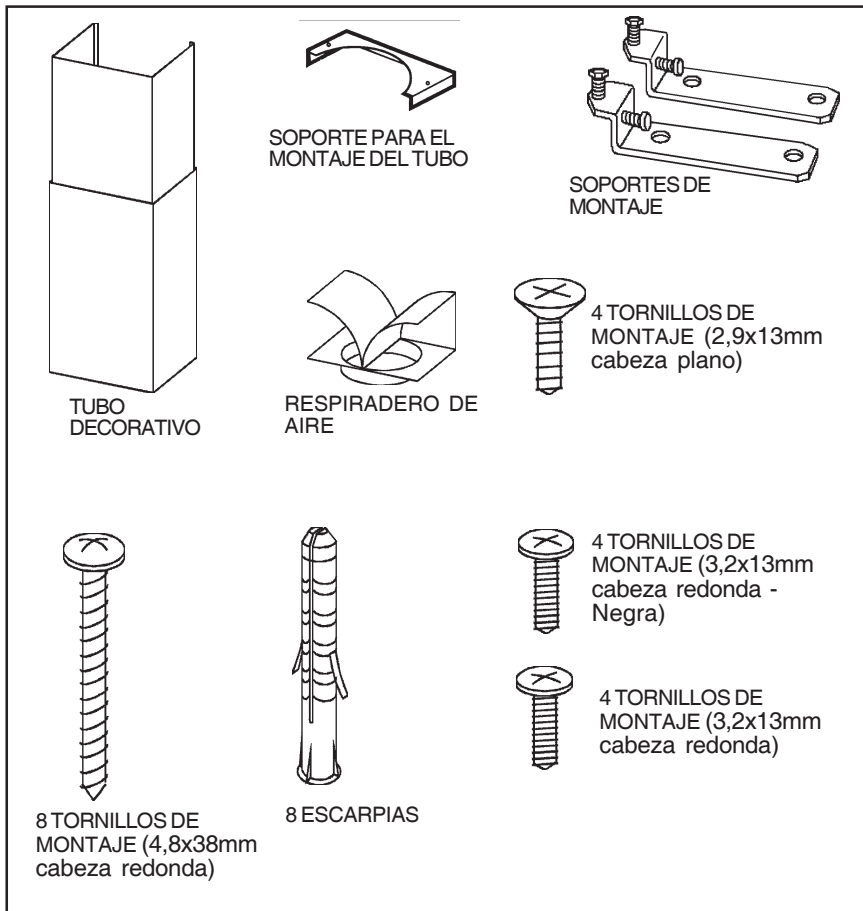
1. Para reducir el riesgo de incendios y para evacuar correctamente los humos, asegurarse de haber realizado una conducción del aire hasta el exterior. No expulsar los humos en espacios cerrados por paredes o techos, áticos, espacios angostos o garajes.
2. Prestar la máxima atención al utilizar productos de limpieza o detergentes.
3. Evitar el uso de productos alimentarios que puedan inflamarse bajo la campana.
4. Sólo para ventilación total. No use gases de escape peligrosos o materiales y vapores explosivos.
5. Para evitar daños en el funcionamiento del motor e impulsores ruidosos y/o desequilibrados, mantenga alejados de la unidad de encendido pulverizadores en seco o polvo.
6. El motor tiene un nivel de sobrecarga térmica que apaga automáticamente el motor cuando se ha recalentado excesivamente. El motor se pone de nuevo en funcionamiento cuando la temperatura baja. Si el motor comienza a encenderse y a apagarse, deberá hacer una revisión de éste.
7. Para limpiar mejor las impurezas al cocinar, la distancia entre la parte inferior de la campana y la zona de cocción debe ser mínimo 24" - máximo 30".
8. Debido a su gran tamaño y peso, se recomienda su montaje por parte de dos técnicos especializados.
9. Este producto está dotado de un termostato que pone en marcha automáticamente el motor. Para reducir el riesgo de daños y evitar que se encienda accidentalmente, colocar el interruptor del panel de servicio en la posición OFF y bloquear el panel de servicio o colocar una advertencia externa como por ejemplo un letrero o una chapita.
10. Use solamente con juego de conexión para alimentación aprobado.
11. Se recomienda leer la placa de características del producto para ulterior información.

PREPARE LA CAMPANA

Sacar la campana de l'embalaje y controlar el contenido.

Recivireis:

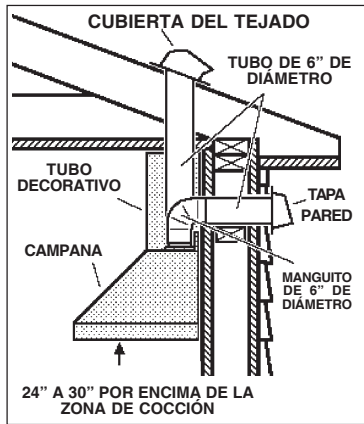
- 1 - Campana
- 1 - Tubo decorativo
- 1 - Bolsita (B080810614) con:
 - 1 - Soporte para el montaje del tubo
 - 2 - Soportes de montaje
 - 8 - Tornillos de montaje (4,8 x 38mm cabeza redonda)
 - 4 - Tornillos de montaje (3,2 x 13mm cabeza redonda)
 - 4 - Tornillos de montaje (3,2 x 13mm cabeza redonda - Negra)
 - 8 - Escarpias
- 1 - Bolsita (B08089123) con:
 - 1 - Respiradero de aire
 - 4 - Tornillos de montaje (2,9 x 13mm cabeza plano)
- 1 - Instrucciones para instalación



INSTALACION DEL TUBO DE EXTRACCION

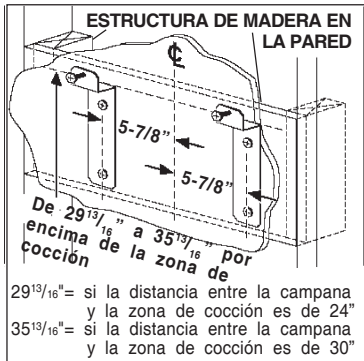
NOTA: para evitar el riesgo de incendio, use solamente material de metal.

1. Decida donde va a colocar el tubo de extracción entre la campana y la parte exterior.
2. Un recorrido de tubo corto y recto permitirá a la campana funcionar de manera más eficaz.
3. Los recorridos largos de tubo, codos y manguitos impiden el buen funcionamiento de la campana. Use el menor número de ellos posible.
4. Instale una cubierta ó una tapa. Una el tubo de metal de 6" de diámetro a la cubierta y retroceda hasta la posición de la campana. Use una cinta para precintar las juntas entre las partes del entubado.



INSTALACION DE LOS SOPORTES PARA EL MONTAJE

1. Construya una **estructura de madera** en la pared que quedará nivelada con la parte interior de los tacos en la pared. Asegúrese de que:
 - a) La estructura se encuentra centrada por encima de la instalación del tubo.
 - b) La altura de la estructura permite fijar los **soportes** para el montaje en esta estructura siguiendo las dimensiones indicadas.
2. Una vez que la superficie de la pared esté acabada, sujete los soportes para el montaje siguiendo las dimensiones indicadas.

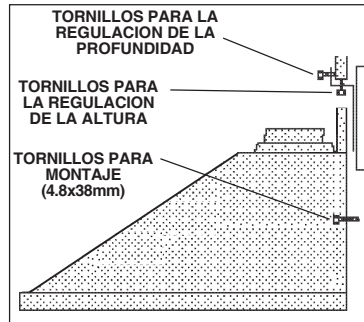
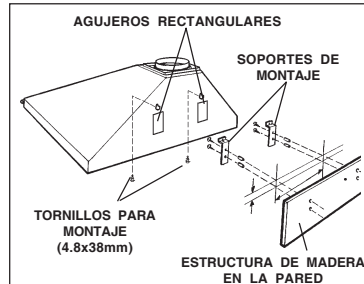
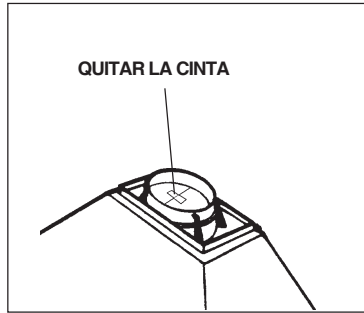


Nota:

- En techos de 8', la distancia entre la campana y la parte superior de la cocina debe ser:
 - mínimo 24", max 27-1/2".
- En techos de 9', la distancia entre la campana y la parte superior de la cocina debe ser:
 - mínimo 24", max 27-1/2" (Configuración con tubo).
 - mínimo 24", max 30" (Configuración sin tubo).

INSTALACION DE LA CAMPANA

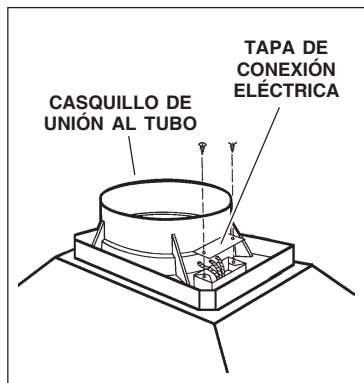
1. Quitar la cinta adhesiva en la válvula.
2. Cuelgue la campana de los soportes por los **agujeros rectangulares** situados detrás de la campana. Los agujeros son más grandes que los soportes para permitir el ajuste en horizontal. La parte inferior de la campana debe estar a una distancia de 24" ó 30" por encima de la zona de cocción.
3. Los **tornillos para la regulación de la altura** permiten un ajuste en vertical.
4. Los **tornillos para la regulación de la profundidad** permiten un ajuste en horizontal.
5. Sujete la campana con **tornillos para montaje** (4.8x38mm). Use escarpas si no dispone de tacos o de la estructura de soporte en madera.



INSTALACION ELECTRICA

Nota: Este tipo de campana tiene que ser conectada a tierra cuidadosamente. La unidad debe instalarla un técnico electricista siguiendo las normas nacionales y locales.

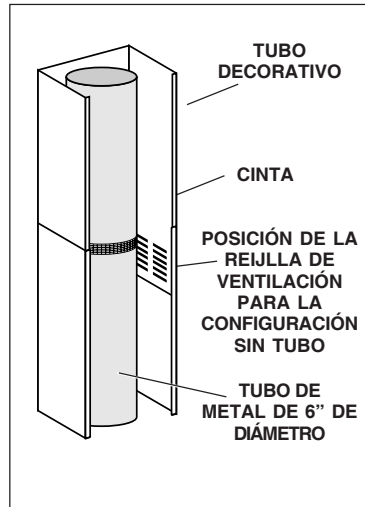
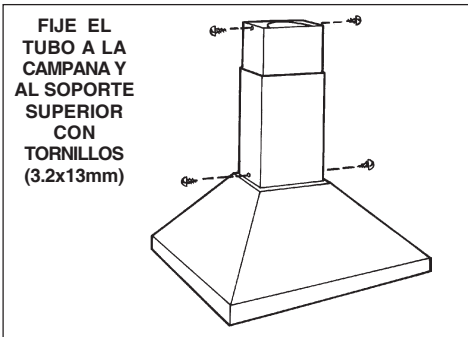
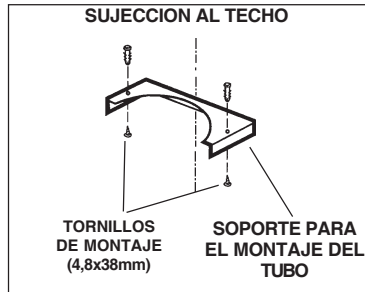
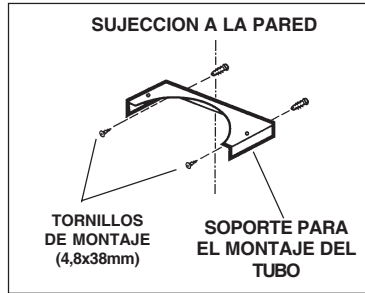
1. Quite la **tapa de la caja de conexión eléctrica** y saque un cable.
2. Fije el "conduit" a la caja de conexión por medio de un conector idóneo para el "conduit".
3. Haga las conexiones eléctricas, una blanco con blanco, negro con negro y verde con verde.
4. Vuelva a conectar la tapa de la caja de conexión. Compruebe que los cables no queden pillados.



ENTUBADO DE CANALIZACION

Configuración con tubo

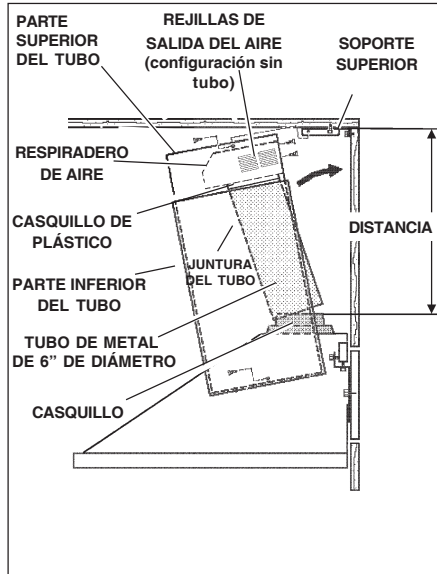
1. Use (2) tornillos (4.8x38mm) y escarpas para fijar el **soporte para el montaje del tubo** al techo o a la pared como se indica.
2. Use un **tubo de metal** de 6" de diámetro para unir el casquillo que se encuentra encima de la campana al tubo de extracción situado arriba.
3. Use cinta para ajustar todas las juntas y que quede hermético.
4. Quitar los 2 tornillos que bloquean el tubo decorativo.
5. Una la parte superior del tubo decorativo al soporte con los tornillos adjuntos (3.2x13mm).
6. Deslice la parte inferior del tubo decorativo hacia abajo hasta que ajuste perfectamente con la campana.
7. Sujete el tubo decorativo a la campana por medio de los tornillos adjuntos (3.2x13mm).



ENTUBADO DE CANALIZACION

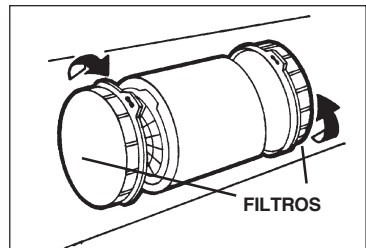
Configuración sin tubo

1. Use tornillos (4.8x38mm) y escarpas (adjuntos) para sujetar al **soporte superior** a la pared y al techo como se indica.
2. Dé la vuelta a la **parte superior del tubo** de manera que las **rejillas de salida del aire** estén en la parte superior. Haga deslizar la parte superior del tubo hasta alcanzar la **parte inferior** de éste.
3. Introduzca el **casquillo de plástico** en la parte inferior del **respiradero de aire**. Una el respiradero de aire con la parte superior del tubo por medio de cuatro tornillos con cabeza plana (2.9x13mm).
4. Mida la distancia desde el **casquillo** hasta el techo. Corte una medida del **tubo de metal de 6" de diámetro**, que sea 6" más corta de la distancia medida anteriormente.
5. Monte el tubo sobre el casquillo de plástico. Compruebe que le **juntura del tubo** esté de frente.
6. Coloque la juntura del tubo de salida de humos sobre la campana con una ligera inclinación con respecto a la pared. Pase alrededor del tubo hasta alcanzar la parte inferior de éste con el casquillo situado encima de la campana. Alce el tubo contra la pared. La juntura del tubo puede cortarla a medida se es necesario.
7. Suba la parte superior del tubo y sujétela con dos tornillos (3.9x9.5mm) al soporte de montaje del tubo. Sujete con dos tornillos (3.9x9.5mm) la parte inferior del tubo a la campana.



INSTALACION DEL FILTRO (CONFIGURACION SIN TUBO)

1. Compre un juego de filtros de ricambio de aire (FILTRO REDONDO - cod. B03300498) a su proveedor habitual.
2. Sitúe los filtros sobre los tornillos de montaje de la campana en la entrada del conducto aspirador.
Gire los filtros para ajustarlos en su sitio.



MANTENIMIENTO

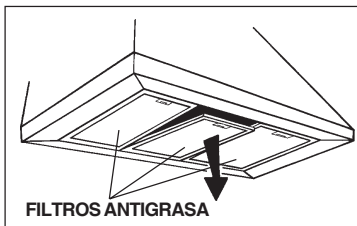
Un mantenimiento adecuado de la campana asegura el funcionamiento correcto del aparato.

Filtros antigrasa

Los **filtros antigrasa** deben limpiarse a menudo. Use un detergente que no sea fuerte.

Los filtros antigrasa se pueden meter en el lavavajillas.

Para extraer los filtros antigrasa, empuje de las manillas hacia dentro y tire de los filtros hacia abajo.



Filtros (configuración sin tubo)

Los filtros deben cambiarse cada seis meses. Gire los filtros para desenroscarlos y cambiarlos.

Limpieza de la campana

El acero inoxidable es uno de los materiales más fáciles de limpiar, pero sería aconsejable un especial cuidado en su uso para mantenerla en buen estado. La campana se puede limpiar de las siguientes maneras:

- Agua caliente con jabón o detergente es la mejor manera para limpiarla.
- Aclárela con agua corriente, séquela con un paño suave y limpio para evitar las huellas que deja el agua.
- Para las manchas o restos de grasa que persistan, use un producto químico doméstico que no raye ó un limpiador para acero inoxidable con poca agua y un paño suave.
- Si las manchas persisten, use un estropajo y un cepillo de cerdas suaves con un producto limpiador y agua. Frote suavemente en el sentido del pulido o de las "vetas" del remate del inoxidable. No apriete demasiado porque podría dañar la superficie.
- No deje que las manchas se acumulen durante mucho tiempo.
- No use utensilios o cepillos de acero. Pequeñas partículas de acero pueden adherirse y oxidarse.
- No use soluciones salinas, desinfectantes, lejías, o productos de limpieza que permanezcan en contacto con el acero inoxidable durante largos periodos de tiempo. Muchos de estos productos contienen componentes químicos que podrían resultar nocivos. Aclare con agua y seque con un paño limpio.

Las superficies lacadas deben limpiarse solamente con agua tibia y detergente no muy fuerte.

FUNCIONAMIENTO

Mandos

La campana se pone en funcionamiento usando los mandos situados abajo de la parte frontal de la campana.

El **interruptor sa luz** enciende y apaga las lámparas halógenas.

El **mando de encendido y apagado del aspirador** pone éste en posición de encendido junto con el control de la velocidad.

El **control de velocidad del aspirador** cambia la velocidad dal aspirador (1-2-3).

El **piloto** se enciende cuando el aspirador está funcionando.

HEAT SENTRYMR

Su campana esta equipada con termostato HEAT SENTRYMR. Este termostato tiene un mecanismo que se encenderáo aceleratáel ventilador si se detecta un calor excesivo encima de la cocina.

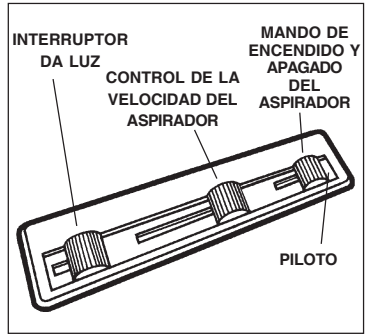
1) Si el ventilador esta apagando - el se prenderá a una velocidad máxima.

2) Si el ventilador esta encendido a una velocidad minima - el se prenderá a una velocidad máxima.

Cuando la temperatura disminuye a un nivel normal, el ventilador vuelve a la función de origen.

AVERTENCIA

EI HEAT SENTRYmr termostato puede comenzar a funcionar al igual si la campana esta parada. En este caso, es imposible parar el ventilador con los interruptores. Si usted para la campana, halago a partir del panel eléctrico principal.



LAMPARAS HALOGENAS

Este tipo de campana necesita dos (2) lámparas halógenas (Tipo JC, 12V, 20W, G-4 Base).

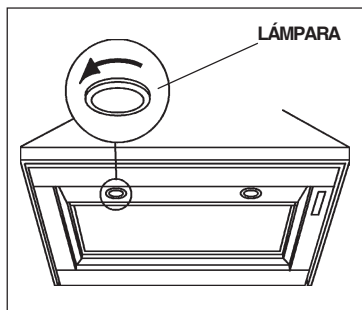
ANTES DE PROCEDER A CUALQUIER OPERACIÓN, ES NECESARIO DESCONECTAR EL APARATO.

Para cambiar las lámparas:

1. Destornillar la abrazadera en sentido antihorario.
2. Extraiga la lámpara oblicuamente (no la gire)- **ATENCIÓN: LAS LÁMPARAS PUEDEN ESTAR CALIENTES.**
3. Sustituir con lámparas del mismo tipo.

Si las lamparas no funcionasen, desconectar el aparato.

Controlar el fusible y sustituirlo si necesario.



SUSTITUCION FUSIBLE

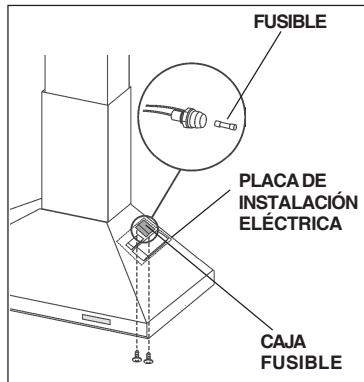
DESCONECTAR EL APARATO.

Remover los filtros antigrasa.

Remover los tornillos de la caja fusible.

Abrir la caja fusible.

Sustituir por un fusible del mismo tipo (5x20mm, 4A, 125V).



GARANTIA

GARANTIA BROAN-NUTONE LLC POR UN AÑO

Broan-NuTone LLC garantiza al consumidor-comprador de sus productos que dichos productos no tendrán defectos en los materiales o fabricación, durante un periodo de un año a partir de la fecha de la compra. NO HAY OTRO TIPO DE GARANTIAS QUE INCLUYAN O SE LIMITEN EXCLUSIVAMENTE A GARANTIAS IMPLICITAS O DE CAPACIDAD COMERCIAL O CONVENIENCIA PARA UN PROPOSITO ESPECIFICO.

Durante el periodo de un año, Broan-NuTone LLC, si lo estima conveniente, reparará o reemplazará sin gastos para el usuario cualquier producto o parte de éste que sea defectuosos habiéndose usado correctamente. ESTA GARANTIA NO CUBRE: ESTARTER DE NEON, NEON, LÁMPARAS HALOGENAS, LÁMPARAS DE ILUMINACIÓN. Tampoco cubre el mantenimiento ni los productos o partes de éstos que hayan sido usados de forma incorrecta, con negligencia, rotos accidentalmente o por una incorrecta manutención ó reparación (distinta da la realizada por Broan-NuTone LLC), montaje incorrecto ó instalación que no se ajuste a las instrucciones de montaje indicadas. Le duración de la garantía se limita al periodo de un año como está especificado en la garantía explicita. Algunos países no permiten un limite en la duración de la garantía implicita; si es así en su caso, esta limitación arriba indicada podría no aplicarse. LA PRESENTE GARANTIA CUBRIRA EXCLUSIVAMENTE AL COMPRADOR LOS SERVICIOS DESCRITOS ANTERIORMENTE. BROAN-NUTONE LLC NO SE HACE RESPONSABLE DE DAÑOS PRODUCIDOS DE MANERA ACCIDENTAL O RELACIONADOS CON EL USO INCORRECTO DEL PRODUCTO O SU FUNCIONAMIENTO. Algunos países no permiten la exclusión o limitación de los daños producidos de manera accidental, si es así en su caso, esta limitación arriba indicada podría no aplicarse. Esta garantía le da derechos legales específicos y podría también disponer de otros derechos que varían de país a país. Esta garantía supera otras garantías dadas con anterioridad. Para disfrutar de la garantía usted deberá a) Avisar a la dirección abajo indicada ó bien llamar por teléfono al número 1-800-637-1453 b) Dar el número de serie del modelo correspondiente o bien una descripción de la parte averiada, c) Descripción del defecto en el producto o bien en una de sus partes. Para requerir un servicio en garantía debe presentar el justificante con la fecha de la compra.

Broan-NuTone LLC, 926 West State Street, Hartford, WI 53027 (1-800-637-1453)

NuTone, Inc., 4820 Red Bank Road, Cincinnati, OH 45227 (1-800-543-8687)

Broan-NuTone Canada, Inc. 1140 Tristar Drive, Mississauga, Ontario, L5T 1H9 (1-888-882-7626)

SERVICE PARTS

61000 SERIES RANGE HOOD-Parts for stainless steel models shown. For service parts for black, white, polished brass, or brushed copper models, call Broan Customer Service.

KEY NO.	PART NO.	DESCRIPTION
9	B08087163	Grease Filter
14	B02300233	Motor Capacitor
19	B03295005	Terminal Box
26	B02300722	Halogen Lamp Bulb
30	B03292291	Switch Cover
37	B02300787	Heat Sentry
39	B03294033	Control Board Box Cover
42	B03290377	Ductfree Filter Bracket
48	B02310201	Motor
49	B03295071	Blower Wheel
53	B03202007	Rubber Washer
57	B02000756	Damper Flap
68	B02000295	Right Blower Housing
69	B02000296	Left Blower Housing
112	BE3345816	Electrical Box Support
113	B03202433	Nameplate
115	BE3495228	Wiring Box
116	BE3334252	Wiring Box Cover
118	BE3347086	Decorative Flue Bottom
119	BE3347088	Decorative FlueTop
120	B03292293	Flue Mounting Bracket
122	B08089123	Ductfree Plenum
123	B03292283	Duct Connector
144	B03292287	Wire Clamp
147	BR2300135	Junction Clamp
165	B03295008	Control Board Box
165	B03294781	Electrical Board Box
166	B08086668	Control Board
208	B02300783	Transformer
223	B03292294	Switch Button
274	B03295035	Fuse Box
373	BE3341633	Transformer Support
474	B02300791	Halogen Lamp Housing
477	B03295006	Terminal Cover
998	B080810614	Hardware Package
*	B06002012	Blower Assembly (Includes Key Nos. 42, 48, 49, 53, 68, 69)
*	B06107652	Switch Assembly (Includes Key Nos. 222, 223, 224, 225, 226, 228, 229, 230)
-	B02300782	Fuse
-	B02300674	Fuse Holder
-	B03300498	Non Ducted Recirculation Filter

* Not shown assembled.

LISTE PIECES DE RECHANGE

61000 SERIES RANGE HOOD -Ci-dessous liste pièces de rechange pour hottes en inox. Pour les pièces de rechange des modèles de couleurs noir, blanc, laiton jaune poli, cuivre brossé, contacter Broan Customer Service.

N.	PART N.	DESCRIPTION
9	B08087163	Filtre anti-graisse
14	B02300233	Condensateur
19	B03295005	Boîte borne
26	B02300722	Lampe halogène
30	B03292291	Couvercle commandes
37	B02300787	Capteur de température
39	B03294033	Couvercle boîte installation électrique
42	B03290377	Support filtre
48	B02310201	Moteur
49	B03295071	Turbine du moteur
53	B03202007	Pare chocs
57	B02000756	Clapet anti-retour
68	B02000295	Cocue moteur droite
69	B02000296	Cocue moteur gauche
112	BE3345816	Boîte installation électrique support
113	B03202433	Plaquette logo
115	BE3495228	Boîte de alimentation
116	BE3334252	Couvercle boîte de alimentation
118	BE3347086	Tube inférieur
119	BE3347088	Tube supérieur
120	B03292293	Etrier montage tube
122	B08089123	Défecteur
123	B03292283	Bride de raccordement
144	B03292287	Serre câble
147	BR2300135	Borne
165	B03295008	Boîte installation électrique
165	B03294781	Boîte installation électrique
166	B08086668	Circuit imprimé installation électrique
208	B02300783	Trsfomateur
223	B03292294	Bouton
274	B03295035	BoîteFusible
373	BE3341633	Transformer Support
474	B02300791	Boîte lampe halogène
477	B03295006	Couvercle borne
998	B080810614	Accessoires de fixation
*	B06002012	Ensemble moteur (Comprenant N. 42, 48, 49, 53, 68, 69)
*	B06107652	Ensemble commandes (Comprenant N. 222, 223, 224, 225, 226, 228, 229, 230)
-	B02300782	Fusible
-	B02300674	Porte-Fusible
-	B03300498	Filtre pour modèle recyclant l'air

* Illustrées separement.

LISTA DE PIEZAS DE RECAMBIO

61000 SERIES RANGE HOOD - Aquí aparecen solamente las piezas de recambio para campanas de acero inoxidable, si desean las piezas de recambio de los modelos en blanco, negro, latón lustrado ó cobre acepillado, pónganse en contacto con el servicio al cliente de Broan.

CÓD. N.	PIEZA N.	DESCRIPCIÓN
9	B08087163	Filtro antigrasa
14	B02300233	Condensador
19	B03295005	Caja del cuadro eléctrico
26	B02300722	Lámpara halógena
30	B03292291	Tapa de la caja de mandos
37	B02300787	Sensor de temperatura
39	B03294033	Tapa de la caja base de instalación eléctrica
42	B03290377	Soporte filtro
48	B02310201	Motor
49	B03295071	Manilla del motor
53	B03202007	Almohadilla antivibraciones
57	B02000756	Válvula de no retorno
68	B02000295	Lado derecho del motor
69	B02000296	Lado izquierdo del motor
112	BE3345816	Caja instalación eléctrica soporte
113	B03202433	Placa marca
115	BE3495228	Caja de alimentación eléctrica
116	BE3334252	Tapa de la caja de alimentación eléctrica
118	BE3347086	Tubo decorativo inferior
119	BE3347088	Tubo decorativo superior
120	B03292293	Soporte de montaje del tubo
122	B08089123	Respiradero de aire
123	B03292283	Conector del aire
144	B03292287	Sujeta cabos
147	BR2300135	Terminal
165	B03295008	Caja de instalación eléctrica
165	B03294781	Caja de instalación eléctrica
166	B08086668	Base para instalación eléctrica
208	B02300783	Trasformador
223	B03292294	Mando
274	B03295035	Caja fusible
373	BE3341633	Soporte Trasformador
474	B02300791	Caja de la lámpara halógena
477	B03295006	Tapa del cuadro eléctrico
998	B080810614	Accesorios para el montaje
*	B06002012	Conjunto motor (Incluye los N. 42, 48, 49, 53, 68, 69)
*	B06107652	Conjunto mandos (Incluye los N. 222, 223, 224, 225, 226, 228, 229, 230)
-	B02300782	Fusible
-	B02300674	Portafusible
-	B03300498	Filtro por configuracion sin tubo

* Se encuentran por separado.

SERVICE PARTS - LISTE PIECES DE RECHANGE -LISTA DE PIEZAS DE RECAMBIO

61000 SERIES RANGE HOOD

