



### Broan AP1 Series

Presenting Broan's newest pro-style hoods.  
 Never before have appearance and value come together so elegantly.

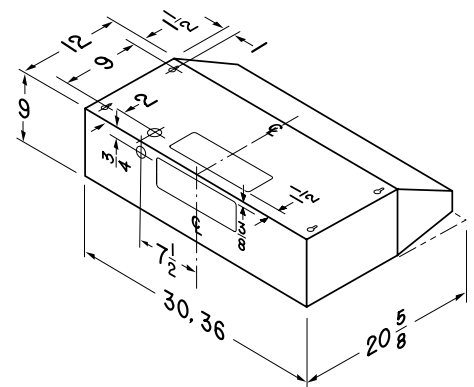
- Brushed stainless steel finish
- 9" Pro-style hood height for excellent capture
- Variable speed control
- 30" and 36" widths available
- Internal 440 CFM centrifugal blower
- Two-level dual 50-watt halogen lighting (GU10 bulbs purchased separately)
- Heat Sentry™ is a smart feature that detects excessive heat and adjusts speed to high automatically
- Dishwasher-safe micromesh filters

#### SPECIFICATIONS

WIDTH	STAINLESS STEEL	VOLTS	AMPS	CFM Max/Min	SONES Max/Min	DUCT
30"	AP130SSC	120	7.0	440/120	7.0/0.5	3 1/4" x 10"
36"	AP136SSC	120	7.0	440/120	7.0/0.5	3 1/4" x 10"

#### OPTIONS

97017456	Replacement grease filters
ARP310	Air flow reducer (limits the airflow of the hood under 300 CFM)



Dimensions shown are in inches.



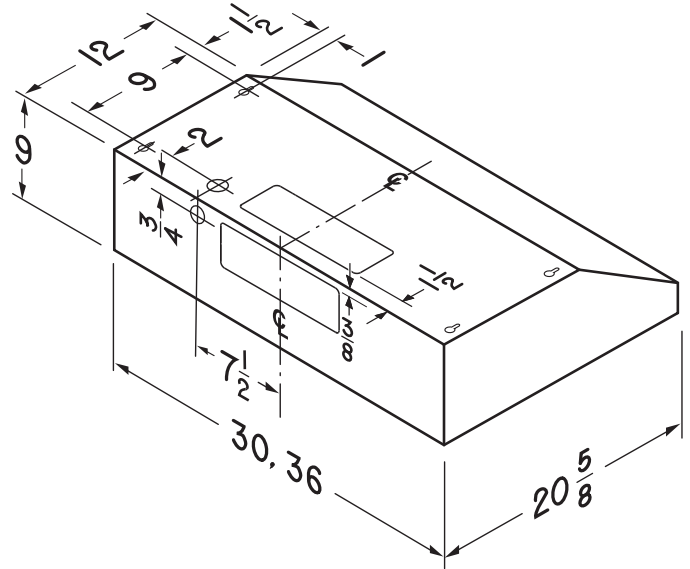
86197B 09/09

### SPECIFICATIONS

MODEL	AP1 SERIES
VOLTS	120 VAC
Hz	60
AMPS	7.0
CFM (HIGH SPEED)	440*
CFM (LOW SPEED)	120
SONES (HIGH SPEED)	7.0
SONE (LOW SPEED)	0.5
DUCTING SIZE	3¼" x 10"
2 SHIELDED HALOGEN BULBS	MR16, 120 V 50 W WITH GU10 BASE
WARRANTY	1 YEAR

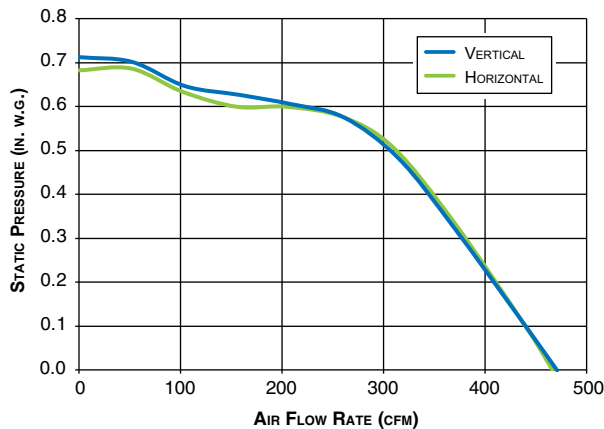
\*OPTIONAL ARP310 AIR FLOW REDUCER (LIMITS THE AIRFLOW OF THE HOOD UNDER 300 CFM).

### DIMENSIONS



NOTE: DIMENSIONS SHOWN ARE IN INCHES.

### AIR FLOW PERFORMANCE



HVI-2100 CERTIFIED RATINGS comply with new testing technologies and procedures prescribed by the Home Ventilating Institute, for off-the-shelf products, as they are available to consumers. Product performance is rated at 0.1 in. (2.54 mm) static pressure, based on tests conducted in a state-of-the-art test laboratory. Sones are a measure of humanly-perceived loudness, based on laboratory measurements.



BROAN-NU-TONE CANADA INC., MISSISSAUGA, ONTARIO WWW.BROAN.CA 1-888-882-7626

PROJECT	REMARKS
LOCATION	
MODEL No.	
QTY.	
SUBMITTED BY	
DATE	