

SPECIFICATIONS

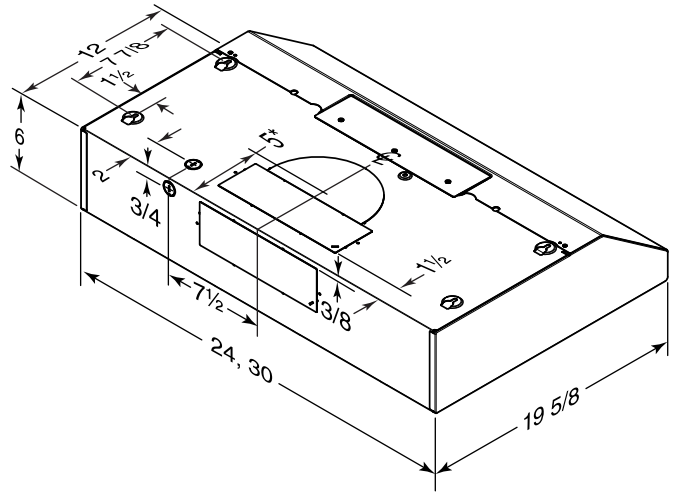
MODEL	BCS3 SERIES
VOLTS	120 VAC
HZ	60
AMPS	1.3
DUCTING SIZES	7" ROUND OR 3¼" x 10"
2 HALOGEN BULBS* (PURCHASE SEPARATELY)	50 W, MR16 WITH GU10 BASE
FINISHES	BLACK**, WHITE, & STAINLESS STEEL
NON-DUCT INSTALLATION	YES (PURCHASE RECIRCULATION FILTERS, SEE TABLE BELOW)
WARRANTY	1 YEAR

*DO NOT USE LED REPLACEMENT BULBS.

**BLACK FINISH NOT AVAILABLE FOR 24" WIDTH HOOD.

RECIRCULATION FILTER NO.	HOOD WIDTHS
HPF24	24"
HPF30	30"

DIMENSIONS

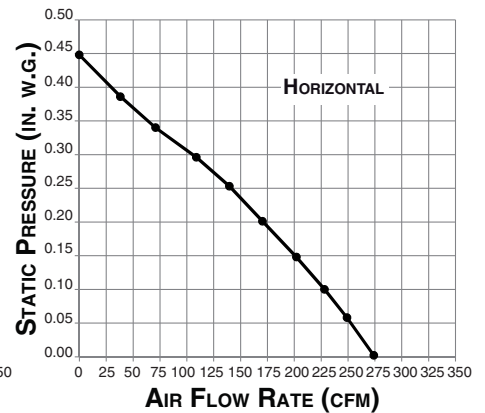
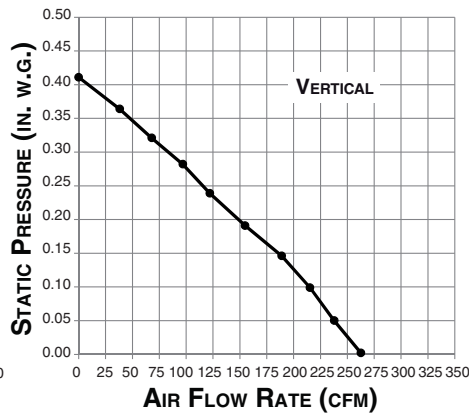
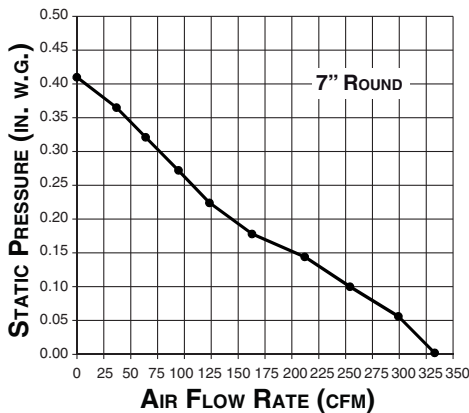


*CENTER POINT FOR 7" ROUND INSTALLATION.

NOTE: DIMENSIONS SHOWN ARE IN INCHES.

DUCTING SIZE	CFM		SONES	
	MAX.	NORM.	MAX.	NORM.
3¼" x 10" (HORIZ.)	220	130	5.5	1.5
3¼" x 10" (VERT.)	210	140	5.5	2.0
7" ROUND (VERT.)	250	170	5.5	2.0

AIR FLOW PERFORMANCE



HVI-2100 CERTIFIED RATINGS comply with new testing technologies and procedures prescribed by the Home Ventilating Institute, for off-the-shelf products, as they are available to consumers. Product performance is rated at 0.1 in. static pressure, based on tests conducted in AMCA's state-of-the-art test laboratory. Sones are a measure of humanly-perceived loudness, based on laboratory measurements.



BROAN-NuTONE CANADA ULC, MISSISSAUGA, ONTARIO WWW.BROAN.CA 1-888-882-7626

PROJECT	REMARKS
LOCATION	
MODEL No.	
QTY.	
SUBMITTED BY	
DATE	