



Broan BDF Series BDF 系列

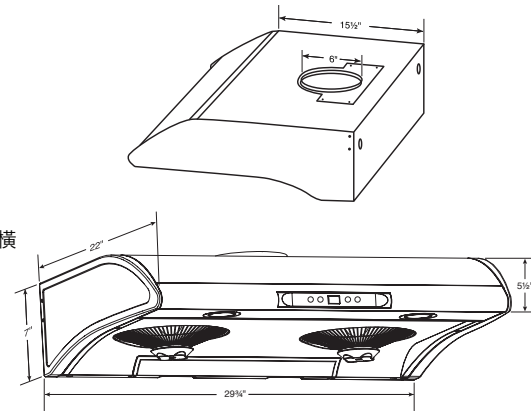
A Range Hood that matches your cooking style.

Real power for the modern chef in you!

- Very powerful 500 CFM twin motor hood.
- Halogen lighting (bulbs included).
- 3-speed control panel that matches your cooking style.
- Electronic control with LED screen and delay-off feature.
- Smooth surfaces and fully enclosed underside make cleaning easy.
- Rounded edges compliments any modern décor.
- Grease capture design includes recess smoked grease pan underneath.
- Grease pan and guard cups remove quickly for cleaning.
- 3-ducting options that makes installation easier: 3 1/4" x 10" (horizontal - vertical) and 6" round (vertical) - Adapters included.

一個滿足你烹調風格的抽油煙機。現代廚師的真正能量!

- 超強勁吸風力達每分鐘 500 立方尺之雙馬達抽油煙機。
- 內附有 40 瓦照明裝置(內含燈泡)
- 3 速控制板適合你不同的烹飪風格。
- 操作簡易的LED開關控制
- 光滑的表面及完整圍繞的底部結構便於清洗。
- 弧形的邊緣設計溶入了當代家居裝飾格調。
- 集油裝置包括集油板和兩個滴油杯。
- 易拆的集油板及滴油杯便於清洗。
- 3 款不同排風口設計便於安裝：3 1/4" X 10" (橫置-垂直)及 6" 圓 (垂直)-內含擋風片。



SPECIFICATIONS 特點

WIDTH 尺寸	STAINLESS STEEL 不銹鋼	WHITE 白色	VOLTS 電壓	CFM 最高風量	SONES 正常運作中之音量	DUCT 風出口
30"	BDF302SS	BDF302WH	120	500	4.1	3 1/4" x 10" (H.V) or 6" round 3-1/4" x 10" 置橫 -直垂或6"圓

OPTION

- ARP6 Air flow reducer (limits the airflow of the hood under 300 CFM)
風量降低器 (限制風量低於每分鐘300立方尺).



87425B 04/11