

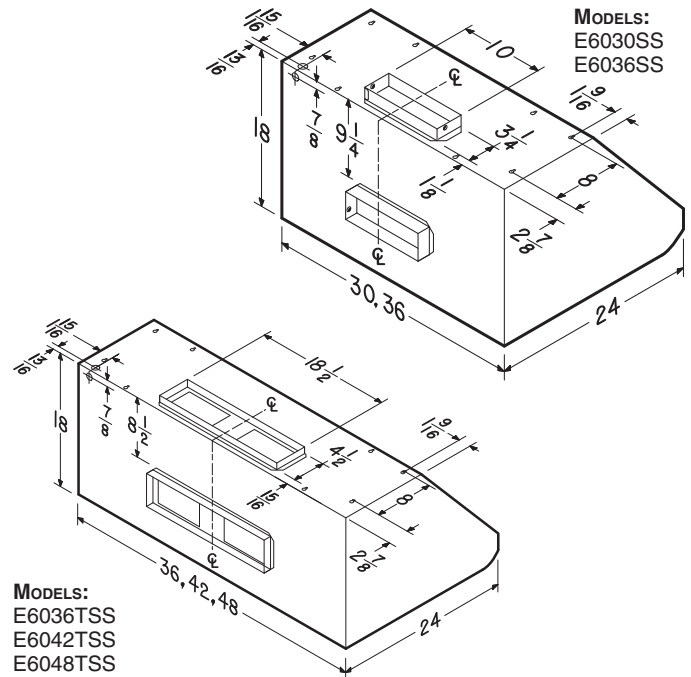
SPECIFICATIONS

MODEL	E60	E60T
BLOWER	SINGLE	DUAL
VOLTS	120 VAC	120 VAC
Hz	60	60
AMPS	5.5	9.0
CFM (HIGH SPEED)	600*	1200
CFM (LOW SPEED)	150	350
SONES (HIGH SPEED)	13.5	14.5
SONES (LOW SPEED)	1.5	2.0
BLOWER	INTERNAL	INTERNAL
DUCTING SIZE	3¼" x 10"	4½" x 18½"
SHIELDED HALOGEN BULBS**	120 V, 50 W MAX., WITH GU10 BASE	120 V, 50 W MAX., WITH GU10 BASE
WARRANTY	1 YEAR	1 YEAR

*OPTIONAL ARP310 AIR FLOW REDUCER (LIMITS THE AIRFLOW OF THE HOOD UNDER 300 CFM).

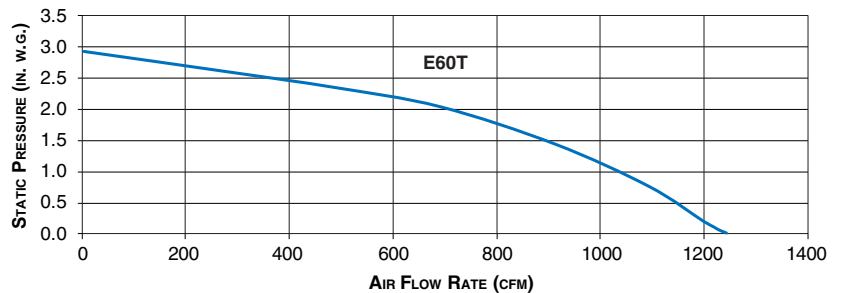
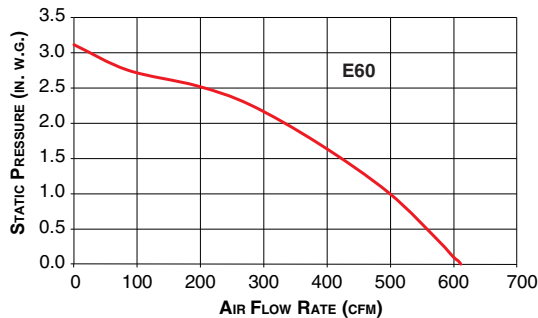
**2 BULBS FOR 30" AND 36" WIDTH MODELS, 3 BULBS FOR 42" AND 48" WIDTH MODELS (BULBS SOLD SEPARATELY).

DIMENSIONS



NOTE: DIMENSIONS SHOWN ARE IN INCHES.

AIR FLOW PERFORMANCE



HVI-2100 CERTIFIED RATINGS comply with new testing technologies and procedures prescribed by the Home Ventilating Institute, for off-the-shelf products, as they are available to consumers. Product performance is rated at 0.1 in. (2.54 mm) static pressure, based on tests conducted in a state-of-the-art test laboratory. Sones are a measure of humanly-perceived loudness, based on laboratory measurements.



BROAN-NU-TONE CANADA INC., MISSISSAUGA, ONTARIO WWW.BROAN.CA 1-888-882-7626

PROJECT	REMARKS
LOCATION	
MODEL No.	
QTY.	
SUBMITTED BY	
DATE	

