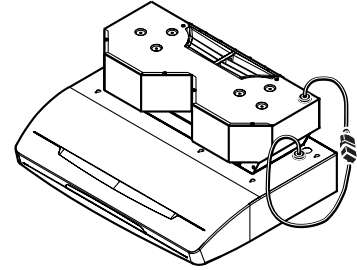


### BROAN ELITE E66000 SERIES RANGE HOOD – MODEL E662



The Broan Elite E662 model is part of our new generation of range hoods: stylish, powerful—and most of all—quieter than ever.

#### FEATURES

- Sleek, classic, smooth shell design makes cleaning easy
- Created to work over high BTU residential grade cooking equipment
- Colors available: White or Black durable powder-coated paint finishes for 30" (762 mm) and 36" (914 mm) hood widths, or Stainless Steel for 30" (762 mm), 36" (914 mm) and 42" (1067 mm) hood widths
- Dishwasher safe stainless steel and aluminum filters with metal latch
- Recessed bottom and filters increase capture capability
- Dual 50 W halogen lights focus toward the center for brilliant full cooktop lighting (MR16, GU10 bulbs not included)
- Comes with dual blower cabinet system for quiet operation
- Variable delay shut-off feature; 5, 10, 15 or 20-minute settings
- Exclusive I-Control™ senses the touch of a finger without moving parts, smooth, seamless glass-look design for easy cleaning
- Self-locking control to avoid accidental operation when being cleaned
- Broan Heat Sentry - automatically turns blower to third speed when excess cooking heat is detected
- Versatile design allows for a 3¼" x 14" (82.6 mm x 355.6 mm) horizontal or vertical discharge

#### TYPICAL SPECIFICATIONS

Range hood shall be Broan Elite Model E662.

Unit will have all over smooth design, with no sharp edges. Finish to be powder-coated paint (brushed finish stainless steel). It must have a fully enclosed stainless steel bottom and full stainless steel and aluminum filters.

Blower discharge to be 3¼" x 14" (82.6 mm x 355.6 mm), horizontal or vertical.

Range hood to have dual blower cabinet system and twin, 50-watt (max.) halogen flood max. Blower and light shall be operated using a specially-designed, 3-speed control with boost, memorizes last setting, with 5, 10, 15, 20-minute delayed OFF.

Maximum air delivery shall be no less than 800 cfm. Sound level to be no greater than 1 sone at working speed (170 cfm), 4.5 sones at high (490 cfm).

Air and sound ratings to be certified by HVI. Unit shall be U.L. and cU.L. listed.

#### SPECIFICATIONS

Volts	120
Hz	60
Amps	3.6
Max. cfm (boost)	800
Sones (high)	4.5
Controls	3-speed electronic with memory, plus Boost mode
Halogen flood light	MR16 GU10, 2 bulbs required, not included
Broan Heat Sentry	Yes



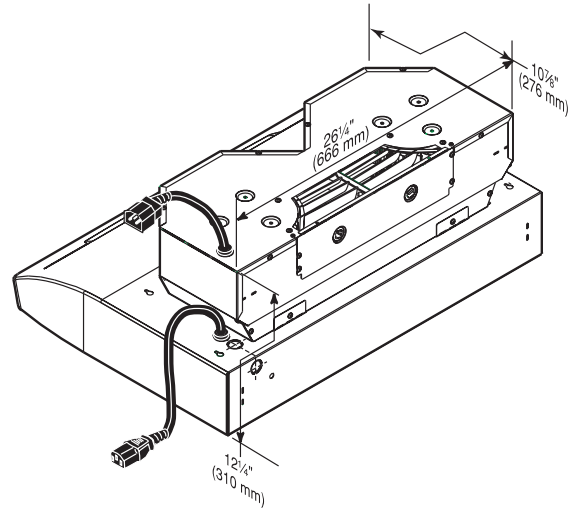
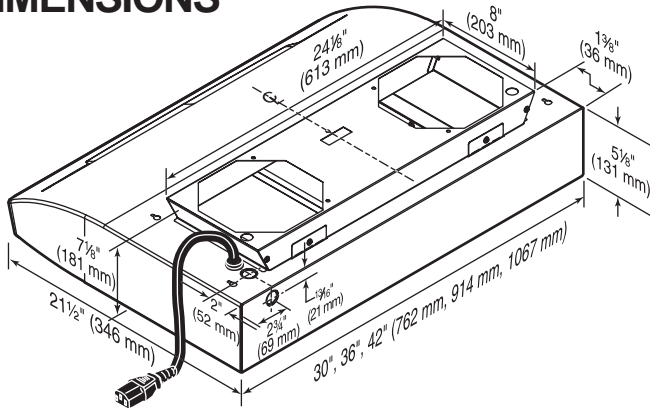
HVI-2100 CERTIFIED RATINGS comply with new testing technologies and procedures prescribed by the Home Ventilating Institute, for off-the-shelf products, as they are available to consumers. Product performance is rated at 0.1 in. static pressure, based on tests conducted in AMCA's state-of-the-art test laboratory. Sones are a measure of humanly-perceived loudness, based on laboratory measurements.



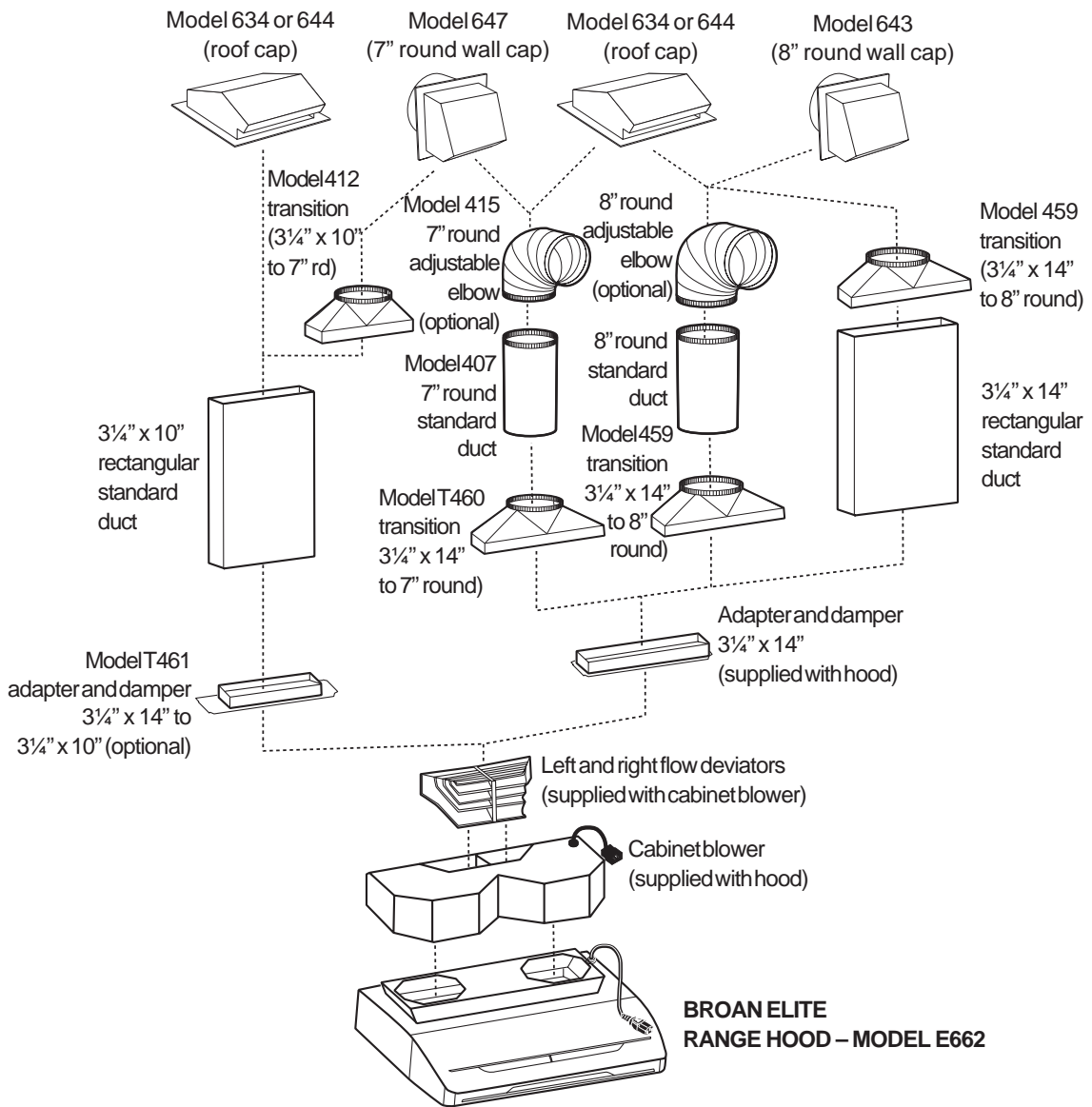
Broan-NuTone LLC, 926 West State Street, Hartford, WI 53027 USA (1-800-637-1453)  
Broan-NuTone Canada Inc., 1140 Tristar Drive, Mississauga, Ontario L5T 1H9 CANADA (1-888-882-7626)

REFERENCE	QTY.	REMARKS	Project
			Location
			Architect
			Engineer
			Contractor
			Submitted by      Date

# BROAN ELITE MODEL E662 DIMENSIONS



# BROAN ELITE MODEL E662 RANGE HOOD SYSTEM



HVI-2100 CERTIFIED RATINGS comply with new testing technologies and procedures prescribed by the Home Ventilating Institute, for off-the-shelf products, as they are available to consumers. Product performance is rated at 0.1 in. static pressure, based on tests conducted in AMCA's state-of-the-art test laboratory. Sones are a measure of humanly-perceived loudness, based on laboratory measurements.

