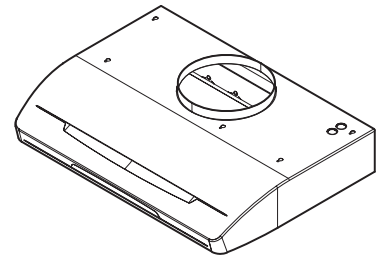


BROAN ELITE E66000 SERIES RANGE HOOD – MODEL E662E



The Broan Elite E662E model is part of our new generation of range hoods: stylish, powerful—and most of all—quieter than ever.

FEATURES

- Sleek, classic smooth shell design makes cleaning easy
- Created to work over high BTU residential grade cooking equipment
- Colors available: White or Black durable powder-coated paint finishes for 30" (762 mm) and 36" (914 mm) hood widths, or Stainless Steel for 30" (762 mm), 36" (914 mm) and 42" (1067 mm) hood widths
- Dishwasher safe stainless steel and aluminum filters with metal latch
- Recessed bottom and filters increase capture capability
- Dual 50 W halogen lights focus toward the center for brilliant full cooktop lighting (MR16, GU10 bulbs not included)
- For external blower options (sold separately)
- Variable delay shut-off feature; 5, 10, 15 or 20-minute settings
- Exclusive I-Control™ senses the touch of a finger without moving parts, smooth, seamless glass-look design for easy cleaning
- Self-locking control to avoid accidental operation when being cleaned
- Broan Heat Sentry—automatically turns blower to high speed when excess cooking heat is detected

TYPICAL SPECIFICATIONS

Range hood shall be Broan Elite Model E662E.

Unit will have all over smooth design, with no sharp edges. Finish to be powder-coated paint (brushed finish stainless steel). It must have a fully enclosed stainless steel bottom and full stainless steel and aluminum filters.

Range hood to have twin, 50 W (max.) halogen flood max. Blower and light shall be operated using a specially-designed, 3-speed control with boost, memorizes last setting, with 5, 10, 15, 20-minute delayed OFF.

External blower options ranging from 600 cfm to 1500 cfm.

In-line blower options ranging from 280 cfm to 1100 cfm.

Unit shall be UL and cUL listed.

SPECIFICATIONS	
Sones	120
Hz	60
Controls	3-speed electronic with memory, plus Boost mode
Halogen flood light	MR16, GU10, 2 bulbs required, not included
Broan Heat Sentry	Yes



HVI-2100 CERTIFIED RATINGS comply with new testing technologies and procedures prescribed by the Home Ventilating Institute, for off-the-shelf products, as they are available to consumers. Product performance is rated at 0.1 in. static pressure, based on tests conducted in AMCA's state-of-the-art test laboratory. Sones are a measure of humanly-perceived loudness, based on laboratory measurements.

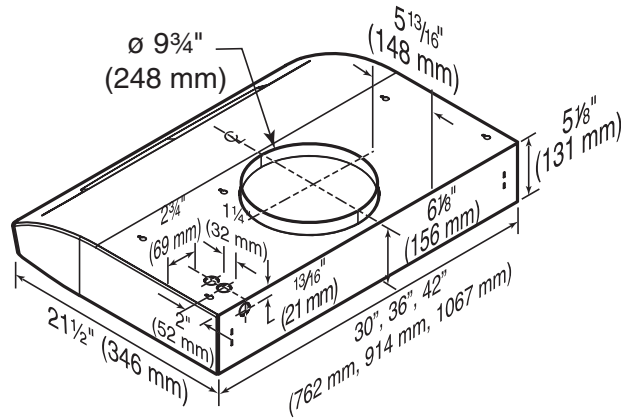


Broan-NuTone LLC, 926 West State Street, Hartford, WI 53027 USA (1-800-637-1453)
Broan-NuTone Canada Inc., 1140 Tristar Drive, Mississauga, Ontario CANADA L5T 1H9 (1-888-882-7626)

REFERENCE	QTY.	REMARKS	Project
			Location
			Architect
			Engineer
			Contractor
			Submitted by Date

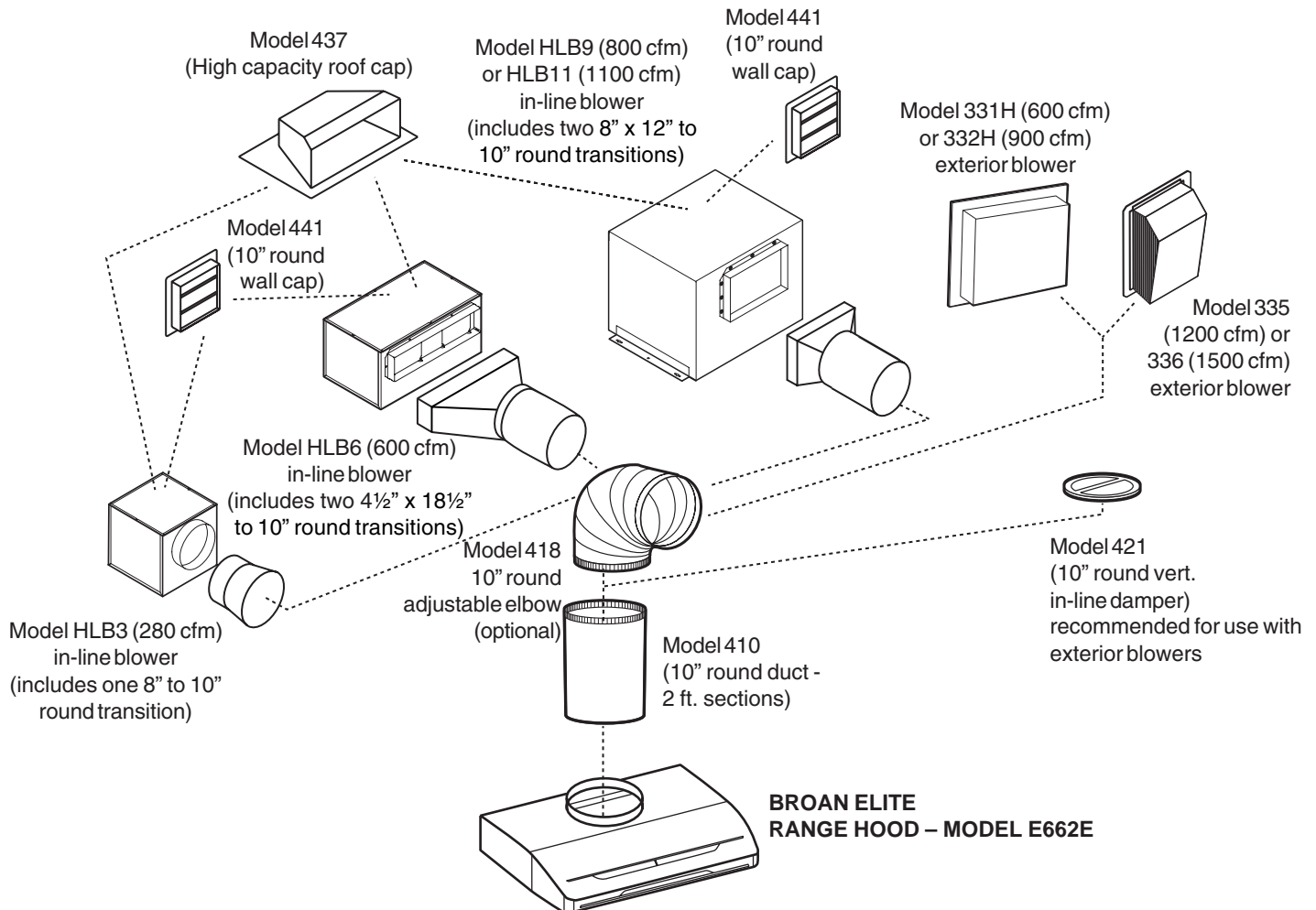
BROAN ELITE MODEL E662E

DIMENSIONS



BROAN ELITE MODEL E662E

RANGE HOOD SYSTEM



NOTE: All blowers sold separately.



HVI-2100 CERTIFIED RATINGS comply with new testing technologies and procedures prescribed by the Home Ventilating Institute, for off-the-shelf products, as they are available to consumers. Product performance is rated at 0.1 in. static pressure, based on tests conducted in AMCA's state-of-the-art test laboratory. Sones are a measure of humanly-perceived loudness, based on laboratory measurements.

