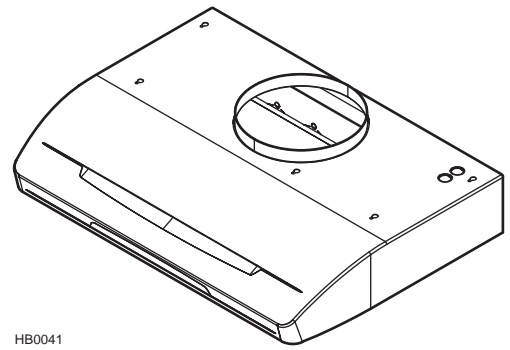


E662E RANGE HOOD



HB0041

The Broan Elite E662E model is part of our new generation of range hoods: stylish, powerful, and most of all, quieter than ever.

FEATURES

- Sleek, classic smooth shell design makes cleaning easy
- Created to work over high BTU residential grade cooking equipment
- Colors available: White or Black durable powder-coated paint finishes for 30" and 36" widths, and Stainless Steel for 30", 36" or 42" widths
- Dishwasher safe stainless steel and aluminum filters with metal latch
- Recessed bottom and forward filters increase capture capability
- Dual 50-Watt halogen lights focus toward the center for brilliant full cooktop lighting (MR16 GU10 bulbs not included)
- For external blower options (sold separately) provides exhaust options ranging from 600 to 1500 cfm
- Seamless glass-look control
- Variable delay shut-off feature; 5, 10, 15 or 20-minute settings
- Exclusive I-Control™ senses the touch of a finger without moving parts, smooth design for easy cleaning
- Self-locking control to avoid accidental operation when being cleaned
- Broan Heat Sentry - automatically turns blower to high speed when excess cooking heat is detected

TYPICAL SPECIFICATION

Range hood shall be Broan Elite E662E.

Unit will have all over smooth design, with no sharp edges. Finish to be powder-coated paint (brushed finish stainless steel). It must have a fully enclosed stainless steel bottom and full stainless steel and aluminum filters.

Range hood to have twin, 50-watt (max.) halogen flood max. Blower and light shall be operated using a specially-designed, 3-speed control with boost, memorizes last setting, with 5, 10, 15, 20-minute delayed "off".

External blower options ranging from 600 to 1500 cfm. Unit shall be U.L. and cU.L. listed.

SPECIFICATIONS

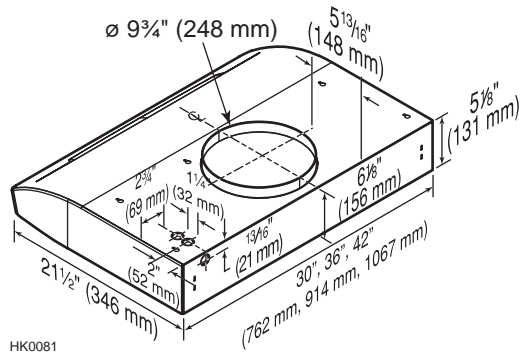
Volts	120
HZ	60
Controls	3-speed electronic with memory, plus Boost mode
Halogen flood light	MR16 GU10, 2 bulbs required, not included
Broan Heat Sentry	Yes



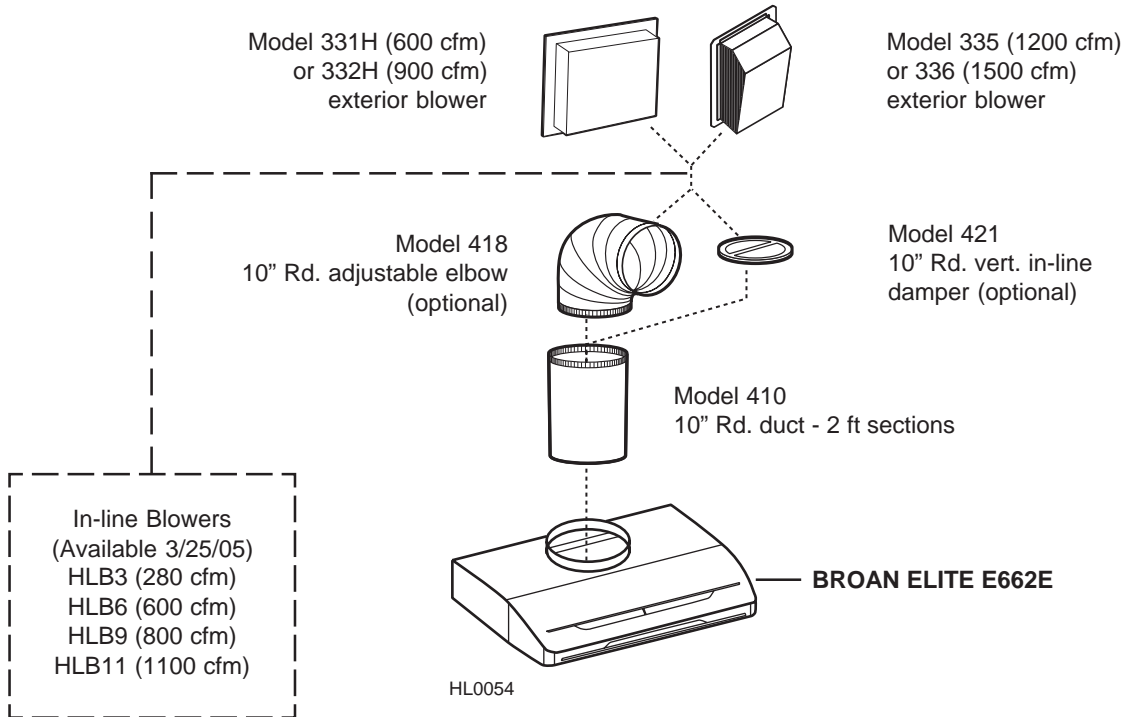
Broan-NuTone LLC, 926 West State Street, Hartford, WI 53027 (1-800-637-1453)
 Broan-NuTone Canada, Inc., 1140 Tristar Drive, Mississauga, Ontario, L5T 1H9 (1-888-882-7626)

REFERENCE	QTY.	REMARKS	Project
			Location
			Architect
			Engineer
			Contractor
			Submitted by Date

BROAN ELITE E662E DIMENSIONS



BROAN ELITE E662E HOOD SYSTEM



NOTE: All blowers sold separately.