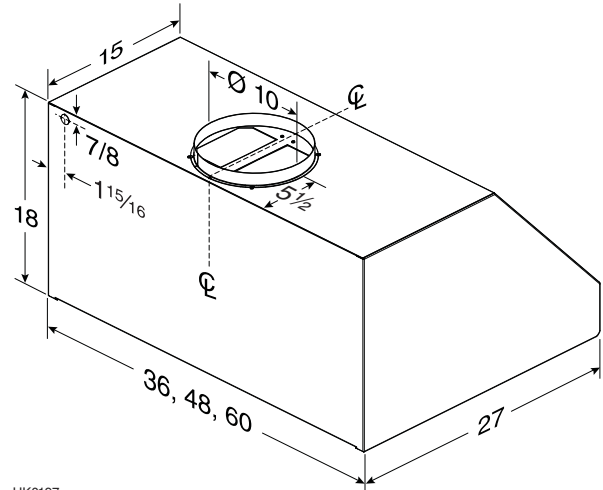


SPECIFICATIONS

MODEL	EPD61
VOLTS	120 VAC
Hz	60
AMPS	9.0
CFM (HIGH SPEED)	1100
CFM (LOW SPEED)	438
SONES (HIGH SPEED)	11.0
SONES (LOW SPEED)	1.8
DUCTING SIZE	10" ROUND
SHIELDED HALOGEN BULBS*	120 V, 50 W MAX., WITH GU10 BASE
WARRANTY	1 YEAR

* 2 BULBS FOR 36" WIDTH MODEL, 3 BULBS FOR 48" AND 60" WIDTH MODELS (BULBS NOT INCLUDED).

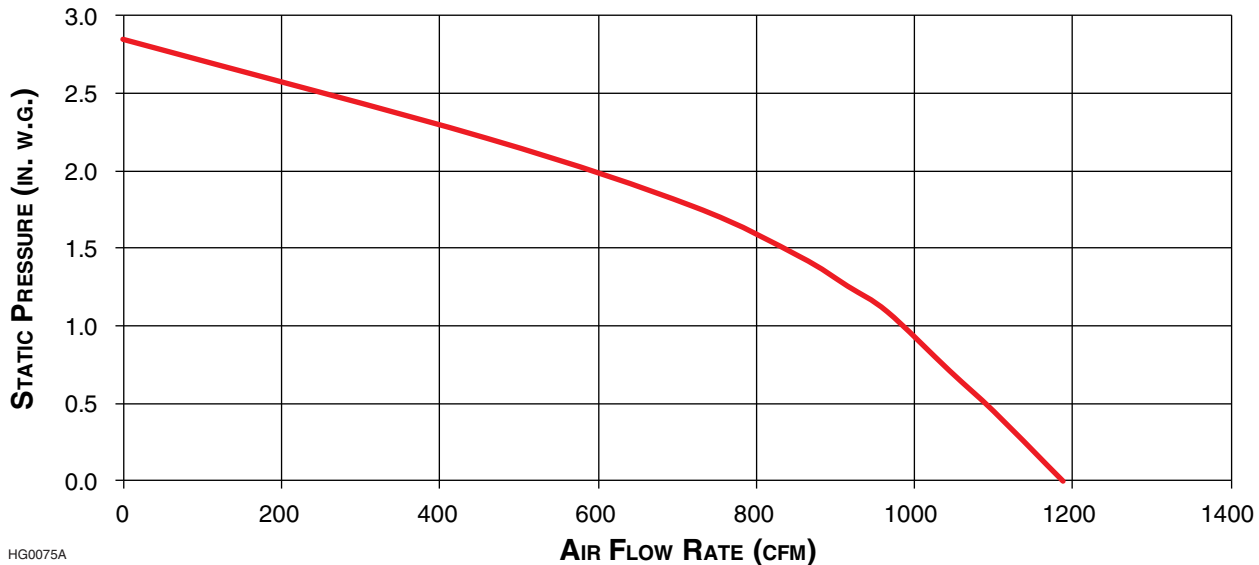
DIMENSIONS



HK0197

NOTE: DIMENSIONS SHOWN ARE IN INCHES.

AIR FLOW PERFORMANCE



HG0075A



HVI-2100 CERTIFIED RATINGS comply with new testing technologies and procedures prescribed by the Home Ventilating Institute, for off-the-shelf products, as they are available to consumers. Product performance is rated at 0.1 in. (2.54 mm) static pressure, based on tests conducted in a state-of-the-art test laboratory. Sones are a measure of humanly-perceived loudness, based on laboratory measurements.



BROAN-NuTONE CANADA ULC, MISSISSAUGA, ONTARIO WWW.BROAN.CA 1-888-882-7626

PROJECT	REMARKS
LOCATION	
MODEL No.	
QTY.	
SUBMITTED BY	
DATE	

