

### Broan Elite EPD61 Outdoor Hood

Flue covers are available in corrosion resistant stainless steel and attach to the top of the range hood shell. Flue covers come in 6", 18" and 30" heights. Deeper flue covers are also available for hoods using the 3" wall extension.



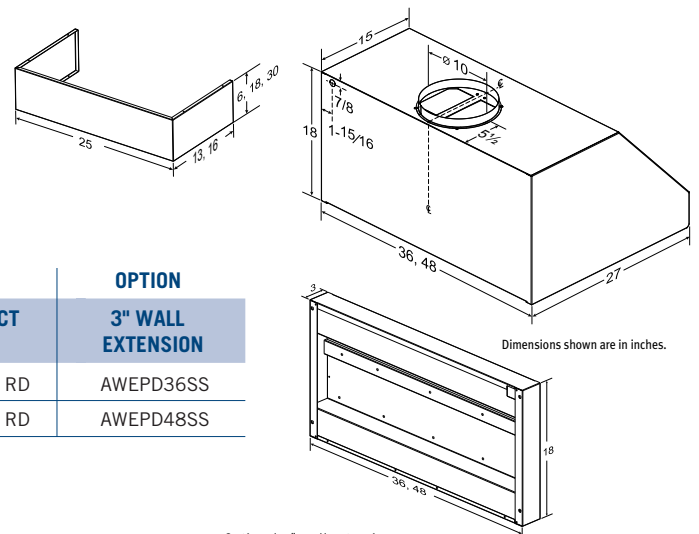
- Professional outdoor design
- 27" depth to handle heat and size of outdoor grills (optional 3" wall extension)
- Brushed corrosion resistant stainless steel
- Two widths: 36" and 48"
- Powerful 1100 CFM internal blower
- Bright halogen lighting (bulbs not included); two in 36", three in 48" model
- 3-speed rotary control designed to resist the effects of heat and moisture
- Stainless steel baffle filters
- Heat Sentry™ detects excessive heat and adjusts blower speed accordingly
- HVI certified

#### SPECIFICATIONS

WIDTH	STAINLESS STEEL	BLOWER	VOLT	AMP	CFM	SONES	DUCT	OPTION
36"	EPD6136SS	Internal	120	9.0 Max.	1100	11.0	10" RD	AWEPD36SS
48"	EPD6148SS	Internal	120	9.0 Max.	1100	11.0	10" RD	AWEPD48SS

#### FLUE COVER SPECIFICATIONS (OPTION)

HEIGHTS	FLUE COVER (STANDARD DEPTH)	FLUE COVER (EXTENDED DEPTH)
6" for 8' ceiling	AEEP6SS	AEEP6SSE
18" for 9' ceiling	AEEP18SS	AEEP18SSE
30" for 10' ceiling	AEEP30SS	AEEP30SSE



Dimensions shown are in inches.

Optional 3" wall extension creates 30" depth for even greater coverage



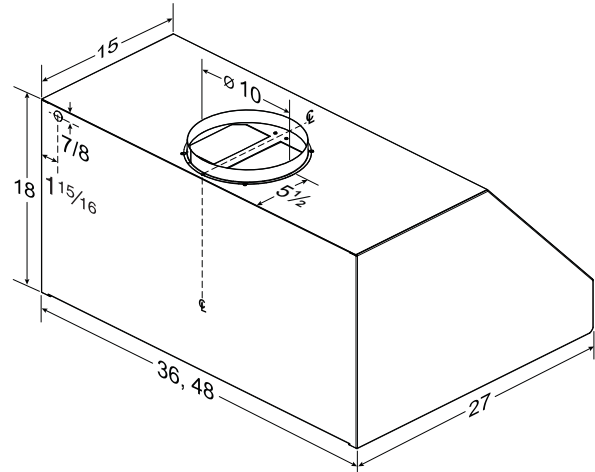
875958 05/12

### SPECIFICATIONS

MODEL	EPD61
VOLTS	120 VAC
Hz	60
AMPS	9.0
CFM (HIGH SPEED)	1100
CFM (LOW SPEED)	438
SONES (HIGH SPEED)	11.0
SONES (LOW SPEED)	1.8
DUCTING SIZE	10" Round
SHIELDED HALOGEN BULBS*	120 V, 50 W MAX., WITH GU10 BASE
WARRANTY	1 YEAR

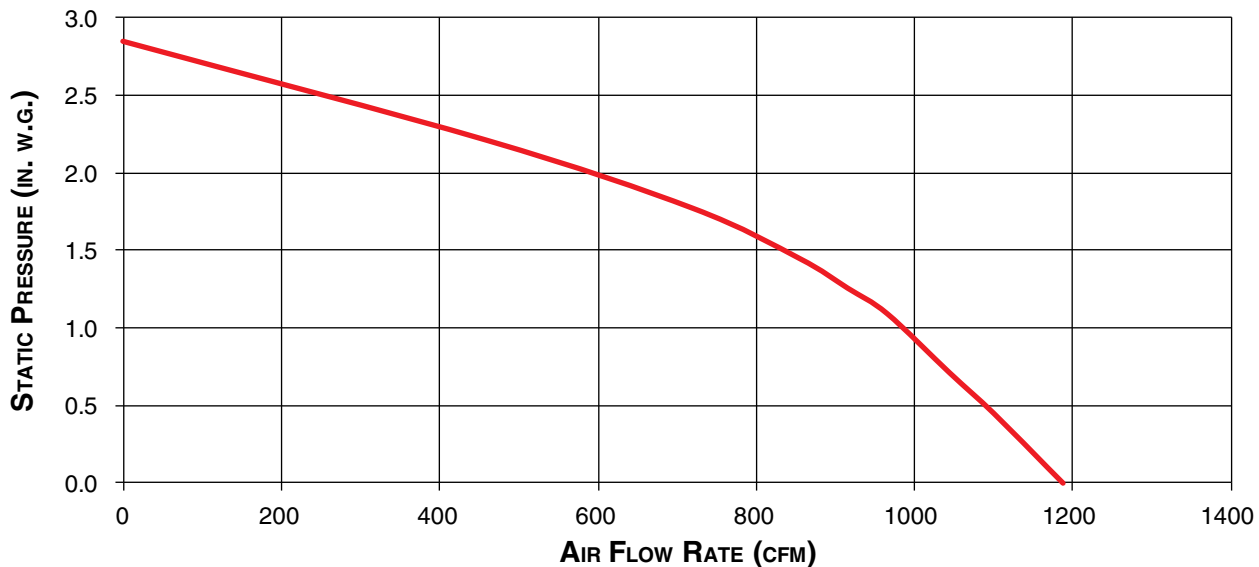
\* 2 BULBS FOR 36" WIDTH MODEL, 3 BULBS FOR 48" WIDTH MODEL (BULBS INCLUDED).

### DIMENSIONS



NOTE: DIMENSIONS SHOWN ARE IN INCHES.

### AIR FLOW PERFORMANCE



HVI-2100 CERTIFIED RATINGS comply with new testing technologies and procedures prescribed by the Home Ventilating Institute, for off-the-shelf products, as they are available to consumers. Product performance is rated at 0.1 in. (2.54 mm) static pressure, based on tests conducted in a state-of-the-art test laboratory. Sones are a measure of humanly-perceived loudness, based on laboratory measurements.



BROAN-NU-TONE CANADA INC., MISSISSAUGA, ONTARIO WWW.BROAN.CA 1-888-882-7626

PROJECT	REMARKS
LOCATION	
MODEL No.	
QTY.	
SUBMITTED BY	
DATE	

