

BROAN

F40000 SERIES 4-WAY CONVERTIBLE RANGE HOOD

Register this product at www.broan.com/register. For Warranty Statement, or to order Service Parts: go to www.broan.com and type the Model in the "Model Search" field at the top of the page. Broan, 926 W. State Street, Hartford, WI 53027 800-637-1453

READ AND SAVE THESE INSTRUCTIONS

IMPORTANT

For Non-ducted (Ductfree) Installation:

- Purchase non-ducted filter separately.
- Remove and discard damper/duct connector and louver cover (See Step 4) in "Prepare the Hood," Page 2.
- Follow all steps except steps inside dotted lines.

For Ducted Installation:

- Follow all steps, including steps inside dotted lines.

INTENDED FOR DOMESTIC COOKING ONLY.

WARNING

TO REDUCE THE RISK OF FIRE, ELECTRIC SHOCK, OR INJURY TO PERSONS, OBSERVE THE FOLLOWING:

- Use this unit only in the manner intended by the manufacturer. If you have questions, contact the manufacturer at the address or telephone number listed in the warranty.
- Before servicing or cleaning unit, switch power off at service panel and lock the service disconnecting means to prevent power from being switched on accidentally. When the service disconnecting means cannot be locked, securely fasten a prominent warning device, such as a tag, to the service panel.
- Installation work and electrical wiring must be done by a qualified person(s) in accordance with all applicable codes and standards, including fire-rated construction codes and standards.
- Sufficient air is needed for proper combustion and exhausting of gases through the flue (chimney) of fuel burning equipment to prevent backdrafting. Follow the heating equipment manufacturer's guideline and safety standards such as those published by the National Fire Protection Association (NFPA), and the American Society for Heating, Refrigeration and Air Conditioning Engineers (ASHRAE), and the local code authorities.
- When cutting or drilling into wall or ceiling, do not damage electrical wiring and other hidden utilities.
- Ducted fans must always be vented to the outdoors.
- Do not use this unit with any solid-state speed control device.
- To reduce the risk of fire, use only metal ductwork.
- Use with approved cord-connection kit only.
- This unit must be grounded.

TO REDUCE THE RISK OF A RANGE TOP GREASE FIRE:

- Never leave surface units unattended at high settings. Boilovers cause smoking and greasy spillovers that may ignite. Heat oils slowly on low or medium settings.
- Always turn hood ON when cooking at high heat or when cooking flaming foods.
- Clean ventilation fans frequently. Grease should not be allowed to accumulate on fan or filter.
- Use proper pan size. Always use cookware appropriate for the size of the surface element.

TO REDUCE THE RISK OF INJURY TO PERSONS IN THE EVENT OF A RANGE TOP GREASE FIRE, OBSERVE THE FOLLOWING:*

- SMOTHER FLAMES with a close-fitting lid, cookie sheet, or metal tray, then turn off the burner. BE CAREFUL TO PREVENT BURNS. If the flames do not go out immediately, EVACUATE AND CALL THE FIRE DEPARTMENT.
 - NEVER PICK UP A FLAMING PAN - You may be burned.
 - DO NOT USE WATER, including wet dishcloths or towels - a violent steam explosion will result.
 - Use an extinguisher ONLY if:
 - You know you have a Class ABC extinguisher and you already know how to operate it.
 - The fire is small and contained in the area where it started.
 - The fire department is being called.
 - You can fight the fire with your back to an exit.
- * Based on "Kitchen Fire Safety Tips" published by NFPA.

CAUTION

- For indoor use only.
- For general ventilating use only. Do not use to exhaust hazardous or explosive materials and vapors.
- To avoid motor bearing damage and noisy and/or unbalanced impellers, keep drywall spray, construction dust, etc. off power unit.
- Your hood motor has a thermal overload which will automatically shut off the motor if it becomes overheated. The motor will restart when it cools down. If the motor continues to shut off and restart, have the hood serviced.
- For best capture of cooking impurities, your range hood should be mounted 18-24" above the cooking surface.
- Please read specification label on product for further information and requirements.

PLANNING DUCTWORK INSTALLATION

Begin planning ductwork by deciding where the duct will run between the range hood and the outside. For best performance, use the shortest possible duct run and a minimum number of elbows. There are several choices shown - FIGS. 1A - 1E.

In more complex ducting situations, a 3-1/4" rectangular ducting range hood can be converted to a round duct by means of a transition.

FIG. 1A. Ducting directly through the wall (for range hoods mounted on an exterior wall). Shown are two ways to duct through an outside wall. If a wall cap is used directly off the back of the hood, special care must be taken to make sure that the damper in the damper/duct connector on the hood and damper in the wall cap do not interfere with each other when the hood is operating. This could result in either inadequate air delivery or back drafts. If this condition does exist, remove the hood damper flap. Sometimes when using a wall cap it is easier to duct vertically and then use an elbow as shown in FIG. 1B.

FIG. 1C. Ducting straight up through the roof using 3-1/4" x 10" rectangular duct. (For single story installations.)

FIG. 1D. Ducting between the ceiling joists (for multi-story installations) or through the soffit space above the cabinets (where the soffit connects to an outside wall).

FIG. 1E. Straight up through the roof using 3-1/4" x 10" to 6" round duct transition and 6" round duct (for single-story installations).

FIG. 1F. Straight up through the roof using 7" round duct (for single-story installations).

PREPARING THE RANGE HOOD

- Unpack hood and check contents. You should receive:
 - Aluminum Filter
 - 3-1/4" x 10" Damper/Duct Connector (mounted inside of hood for shipping only) (Save screws for mounting.)
 - 7" Round Duct Plate (mounted on top of hood) (not shown) (Save screws for mounting.)
- Remove 7" round duct plate from top of hood. Set duct plate aside - with mounting screws.
- Remove wiring box cover. Under cover find:
 - Plastic Bag containing loose mounting hardware

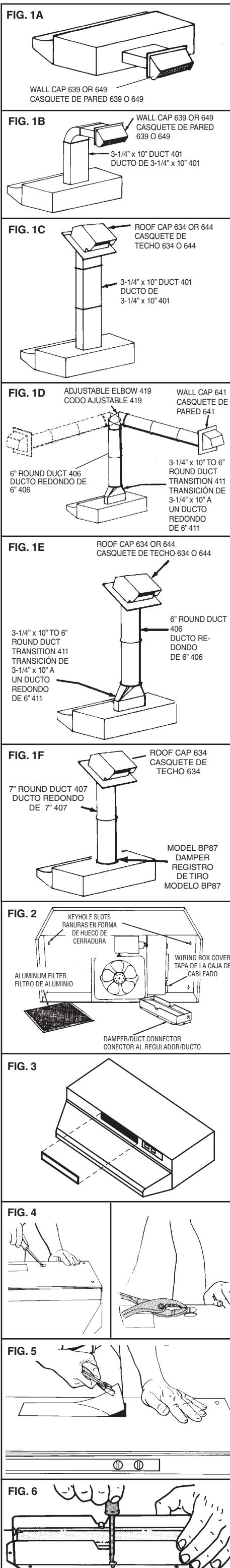
For Ductfree Installations Only:

- For ductfree installation, remove louver cover from front (or inside) of hood. (FIG. 3)

NOTE

Louvers on front of hood must be open and visible for hood to function in ductfree mode.

- Remove either top or rear electrical knockout depending upon whether wiring will enter hood from wall or cabinet. (FIG. 4)



BROAN

CAMPANA EXTRACTORA 4-WAY CONVERTIBLE SERIE F40000

Registre este producto en www.broan.com/register. Para Declaración de garantía, o para pedir piezas de servicio: vaya a www.broan.com y escriba el modelo en el campo "Model Search" en la parte superior de la página. Broan, 926 W. State Street, Hartford, WI 53027 800-637-1453

LEA Y CONSERVE ESTAS INSTRUCCIONES

IMPORTANT

Para instalación sin ducto:

- Compre el filtro sin conductos separado.
- Quite y descarte el conector del regulador/ducto y la tapa de la rejilla (Véase paso 4) en la Página 2 titulada "Prepare el extractor."
- Siga todos los pasos excepto de los pasos dentro las líneas suspensivas.

Para instalación con ducto:

- Siga todos los pasos incluyendo los pasos dentro de las líneas suspensivas.

PREVISTO PARA COCINAR DOMÉSTICO SOLAMENTE. ADVERTENCIA

PARA REDUCIR EL RIESGO DE INCENDIO, CHOQUE ELECTRICO, O LESION A PERSONAS, PROCURE LO SIGUIENTE:

- Utilice esta unidad sólo en la manera prescrita por el fabricante. Si tiene usted alguna pregunta, comuníquese con el fabricante a la dirección o el teléfono indicados en la garantía.
- Antes de limpiar o de poner en servicio la unidad, apague el interruptor en el panel de servicio, y asegure el panel de servicio para evitar que se encienda accidentalmente. Cuando el dispositivo para desconectar el servicio eléctrico no puede ser cerrado con algún tipo de traba, sujete fuertemente al panel de servicio, una etiqueta de advertencia prominente.
- Todo trabajo de instalación y cableado eléctrico debe ser realizado por personal calificado y de acuerdo con todos los códigos y normas pertinentes, incluyendo los códigos y normas relacionados con construcción clasificada para incendio.
- Aire suficiente es necesario para facilitar la combustión adecuada y la salida apropiada de gases por la chimenea de la unidad y para evitar corrientes de aire invertidas. Siga las instrucciones y medidas de seguridad del fabricante del equipo y de las sociedades profesionales de equipos de calentadores y los reglamentos de seguridad locales.
- A cortar o perforar la pared o el techo, no dañe el cableado eléctrico u otros servicios públicos ocultos a la vista.
- Los abanicos con ducto deberán siempre tener una salida hacia el exterior.
- No utilice esta unidad en conjunto con cualquier dispositivo de control de velocidad de estado sólido.
- Para reducir el riesgo de incendio, use sólo ductos de metal.
- Use con el kit aprobado del la conexión de la cuerda solamente.
- Esta unidad se debe instalar con tierra efectiva.

PARA REDUCIR EL RIESGO DE UN INCENDIO POR GRASA EN LA ESTUFA:

- Nunca deje sin atender las unidades de superficie cuando tengan ajustes altos. Los reboses pueden provocar humo y derrames grasos que se pueden incendiar. Caliente lentamente el aceite en un ajuste bajo o medio.
- Siempre ENCIENDA la campana cuando cocine con alta temperatura o cuando cocine alimentos que se puedan incendiar.
- Limpie con frecuencia los ventiladores. No debe permitir que la grasa se acumule en el ventilador ni en el filtro.
- Utilice un sartén de tamaño adecuado. Siempre utilice el utensilio adecuado al tamaño del elemento de superficie.

PARA REDUCIR EL RIESGO DE LESION A PERSONAS RESULTADO DE UN INCENDIO DEBIDO A GRASA ACUMULADA EN LAS HORNILLAS, PROCURE LO SIGUIENTE:*

- AHOGUE LAS LLAMAS con una tapa ajustada o charola de metal, después apague la hornilla. TENGA CUIDADO A FIN DE EVITAR QUEMADURAS. Si las llamas no se apagan de inmediato, EVACUE Y AVISE A LOS BOMBEROS.
 - NO LEVANTE NUNCA UNA SARTEN QUE ESTE EN LLAMAS - Usted se podrá quemar.
 - NO UTILICE AGUA, incluyendo toallas de cocina mojadas - puede resultar una explosión de vapor violenta.
 - Utilice un extinguidor SOLAMENTE si:
 - Usted sabe que tiene un extinguidor de clase ABC y lo sabe utilizar.
 - El incendio es pequeño y contenido dentro del área donde se inició.
 - Los bomberos han sido avisados.
 - Usted puede combatir el incendio con una salida a su espalda.
- * Basado en las recomendaciones para "Seguridad en la Cocina" publicadas por la NFPA de los EEUU.

PRECAUCION

- Para el uso de interior solamente.
- Solamente para uso general de ventilación. No utilice para descargar materiales o vapores riesgosos o explosivos.
- Para evitar daños al motor y evitar que las navajas del abanico emitan mucho ruido o estén fuera de balance, mantenga el motor libre de pelusa, polvo, etc.
- El motor de su extractor tiene dispositivo de sobrecarga térmica, al cual automáticamente apagará el motor si se sobrecalienta. El motor funcionará de nuevo cuando se enfríe. Si el motor continua apagándose y arrancando, hágalo componer.
- Para obtener mejores resultados en la captura de los vapores de la estufa, el extractor debe montarse a entre 18 y 24 plg. sobre las hornillas de la estufa.
- Por favor lea la etiqueta con las especificaciones del equipo para otros requisitos y mayor información.

PLANIFICANDO LA INSTALACION DE LOS DUCTOS

Comience el trabajo de los ductos decidiendo el camino que el ducto tomará entre el extractor y la parte exterior de la casa. Para mejor rendimiento, use el camino de ducto más corto posible y un mínimo de codos. Se muestran varias elecciones - FIGS. 1A - 1E.

En situaciones de paso del ducto más complejas, el extractor con conexión para ducto rectangular puede convertirse en conexión redonda usando una transición.

FIG. 1A. Pasando el ducto directamente a través de la pared (para los extractores que están instalados en una pared exterior). Se muestran dos maneras de pasar el ducto a través de la pared exterior. Si se usa un casquete de pared directamente en la parte de atrás del extractor hay que asegurarse que el regulador en el conector entre ducto y regulador en el extractor, y el regulador en el casquete de pared no interfieran el uno con el otro cuando el extractor esté operando. Esto podría resultar en paso de aire inadecuado o corrientes invertidas. Si esta condición existe, quite la hoja instalada en el regulador del extractor. A veces cuando se usa un casquete de pared es más fácil pasar el ducto verticalmente y usar un codo como se muestra en FIG. 1B.

FIG. 1C. Haciendo un ducto directamente al techo usando un ducto rectangular de 3-1/4" x 10" (para instalaciones en un piso solamente).

FIG. 1D. Instalando un ducto entre las vigas del techo (para instalaciones en más de un piso) o a través del espacio de sofito arriba de los gabinetes (cuando el sofito está conectado a una pared exterior).

FIG. 1E. Directamente hacia el techo usando transición de 3-1/4" x 10" a un ducto redondo de 6" y ducto redondo de 6" (para instalaciones de un piso).

FIG. 1F. Directamente hacia el techo usando ducto redondo de 7" (para instalaciones de un piso).

PREPARANDO EL EXTRACTOR

- Desempaque el extractor y revise el contenido de la caja. Usted debe de encontrar:
 - Filtro de aluminio
 - Conector de ducto/regulador de 3-1/4" x 10" (montado dentro del extractor para embarque solamente) (Guarde los tornillos para el montaje.)
 - Placa del conducto redondo de 7" (montado en del extractor) (no se muestra) (Guarde los tornillos para el montaje.)
- Quite la placa del conducto redondo de 7" de la parte superior de la campana. Colóquela aparte, con los tornillos de montaje.
- Quite la cubierta de la caja de cableado. Bajo la tapa encontrará:
 - Una bolsa de plástico que contiene herrajes sueltos para instalación

Para instalaciones sin ducto SOLAMENTE:

- Para instalaciones sin ducto, quite la tapa de la rejillas de la parte frontal del extractor. (FIG. 3)

NOTA

Las rejillas que se encuentran al frente de la campana deben estar abiertas y visibles para que la campana funcione sin conducto.

- Quite la tapa de quitar golpeando eléctrica de arriba o atrás dependiendo en donde entra el cableado al extractor de la pared o del gabinete. (FIG. 4)

DUCTED INSTALLATION ONLY

NOTE

Louver cover must be installed as shown in Figure 3 to function in ducted mode.

- Remove appropriate duct knockout on hood by inserting screwdriver into edge of knockout and breaking tabs holding knockout to hood. You may have to tap screwdriver with hammer to break tabs. Peel knockout back with pliers. (FIG. 5)
- Fit damper/duct connector over opening and secure in place with black sheet metal screws. (FIG. 6)
Hinge pins and damper/duct connector should be toward top of hood for ducting through wall or toward back of hood for ducting through cabinet above hood. Seal joint between damper/duct connector and hood with duct tape.
- 7" round ducted discharge only:** Re-install 7" round duct plate removed in Step #2 under "PREPARING THE RANGE HOOD" section. **For best performance, line up the 7" round duct plate with the 7" round opening on hood.** Mount duct plate to hood with 2 screws from duct plate and 2 screws from 3/4" x 10" damper. Install a 7" round damper (purchase separately). Damper flap must open freely in direction of air flow (away from range hood).

PREPARING THE INSTALLATION LOCATION

NOTE

MOUNT HOOD SO THAT BOTTOM OF HOOD IS 18"-24" ABOVE COOKING SURFACE. TOP FRONT EDGE OF HOOD SHOULD BE FLUSH WITH FRONT OF CABINET FRAME. IF DISTANCE BETWEEN WALL AND FRONT OF CABINET FRAME IS MORE THAN 12" THERE WILL BE A SPACE BETWEEN BACK OF HOOD AND WALL. THIS IS NORMAL.

OMIT STEP 9 if range hood will be installed under cabinets with flush bottom.

- (For installation on recessed bottom cabinets only) Attach a wood filler strip at each side of recessed area under cabinet. (Use two 1" x 2" strips cut to length.) If recess is more than 1" use thicker strips. Attach strips with 1-1/4" screws about 3" from each end. See FIG. 7.
- Measure and mark the following (FIGS. 7 & 8):
 - Electrical line opening
 - Duct opening
- Drill four pilot holes in corners of marked duct opening as shown and cut opening with saber saw or keyhole saw.
- Use 1-1/4" drill bit to drill opening for electrical connection in wall or cabinet.
- Hold hood up against cabinet bottom and trace keyhole slots onto cabinet bottom of filler strips.
- Screw the four supplied 7/8" wood screws for mounting the hood into the exact center of the narrow end of the keyhole slots marked underneath the cabinet. Allow 3/8" of the screws to project, so the hood can be fitted into place.

INSTALLING THE DUCTWORK

NOTE

THESE INSTRUCTIONS WILL FOLLOW THE PLANS MADE ON PAGE 2. START AT THE EXTERIOR AND RUN THE DUCT BACK TO THE RANGE HOOD. FOR BEST PERFORMANCE OF YOUR RANGE HOOD, USE THE SHORTEST POSSIBLE DUCT RUN AND A MINIMUM NUMBER OF ELBOWS. NEVER VENT A RANGE HOOD INTO AN ATTIC SPACE BECAUSE A BUILDUP OF GREASE WILL BECOME A FIRE HAZARD. USE ONLY METAL DUCTWORK (DO NOT USE PLASTIC DUCT). ASSEMBLE SECURELY SO THAT IN CASE OF A GREASE FIRE ON THE RANGE, THE FIRE WILL BE CONTAINED INSIDE METAL DUCT WORK. IT IS A GOOD PRACTICE TO TAPE ALL DUCT CONNECTIONS, MAKING THEM BOTH SECURE AND AIR TIGHT.

- Follow appropriate directions below for type of duct work you are installing:

WALL CAPS (FIG. 9)

Use a saber saw to cut a hole slightly larger than duct so duct will line up easily with hood. Install casing strips on outside walls finished in siding. Assemble the duct work and tape all joints. Run duct work back to hood. Fasten wall cap to last section of duct and nail or screw cap to wall. Seal all around flange on wall cap with caulking compound. Make sure that enough duct runs into the room so that the duct will overlap the damper/duct connector by 3/4" when the hood is installed.

ROOF CAPS

Cut hole in roof slightly larger than duct so duct will line up easily with hood. Trim shingles around hole so that they will fit snugly around hood of cap when cap is installed. Assemble the duct work and tape all joints. Run the duct work down to hood. Trim duct parallel to roof pitch, leaving 3/4" of duct projecting above roof. Seal all around duct with roof cement.

Install roof cap, inserting back edge of cap under shingles. Seal around cap with roof cement and seal all nail heads and shingles which were cut or lifted.

Make sure that enough duct runs into the room so that the duct will overlap the damper/duct connector by 3/4" when the hood is put into place.

INSTALLING THE RANGE HOOD

- Bring electrical cable through access hole drilled in wall or bottom of cabinet. Provide 6" wire leads and install proper connector for type of cable being used. Remove lock nut from connector and let prepared cable project through cabinet or wall opening so it is ready for installation into range hood. (FIG. 10)
- Position hood in place so that:
 - Electrical line is routed through appropriate knockout opening. This step will have to be accomplished while positioning hood. (FIG. 13)
 - Large part of keyhole mounting slots on hood fit onto hood mounting screws projecting from bottom of cabinet. (FIG. 11)
 - Damper/duct connector slides into duct work in wall or cabinet.
- Adjust hood so the front of hood is flush with cabinet front.
- Tighten the four hood mounting screws securely.
- Install locknut on electrical connector and tighten securely.
- Make electrical connection using wire nuts to connect white wire to white, black wire to black. Ground hood to prepared hole using green ground screw provided. (FIG. 12)
- Replace wiring box cover and screw. Make sure that all wiring is safely contained inside.

NOTE

For Ductfree Installations Only:

Install both filters. Make sure that ductfree filter (purchase separately) is next to fan assembly with blue side next to blade. Aluminum filter should be facing out.

USE AND CARE

SWITCHES

The fan and light are each controlled by a rocker switch. The light switch has two positions, "ON" and "OFF." The fan switch has three positions - "HIGH", "LOW" and "OFF". ("OFF" is the middle position.)

CLEANING

Finish Keep your range hood clean using a mild detergent suitable for painted surfaces. Aluminum Filters should be cleaned frequently with a detergent solution to avoid grease build up. They are also dishwasher safe.

FILTER REMOVAL

Remove filter by turning filter clip to the side and lifting filter out. In ducted version, turn filter retaining clip to one side and place aluminum filter over embossed retaining tabs on back of fan housing. Turn filter clip so that the low end of clip holds single filter firmly in place. (FIG. 13)

In non-ducted version, place non-ducted filter (non-ducted filter to be purchase separately, model 41F) over tabs on back of fan housing. Turn filter retaining clip so that high end holds filter firmly in place. Make sure blue side of non-ducted filter is next to fan blade.

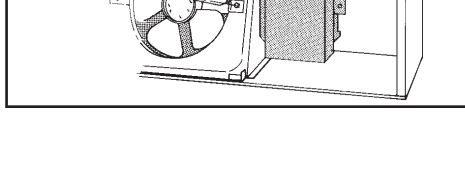
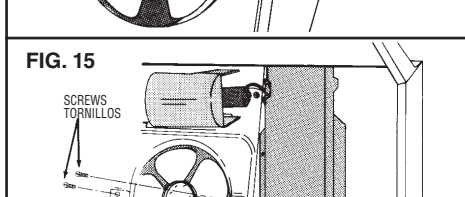
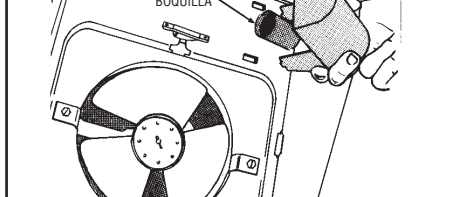
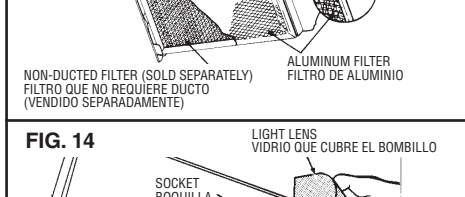
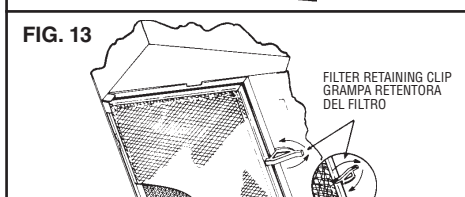
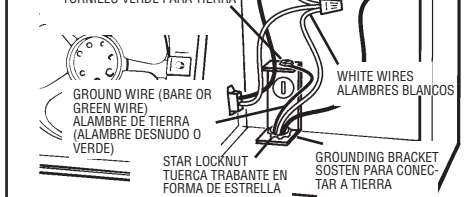
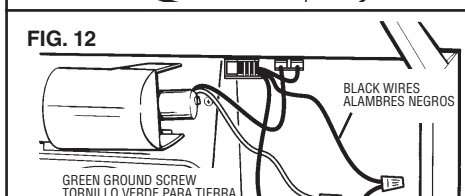
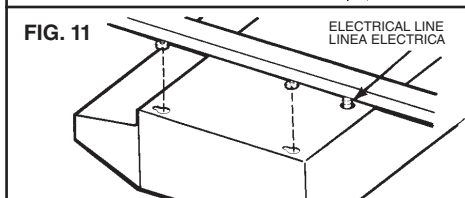
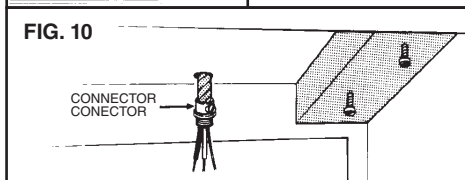
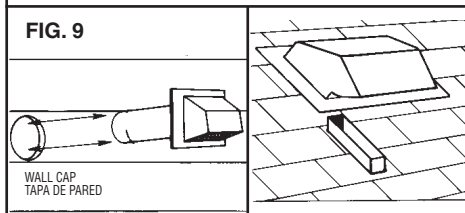
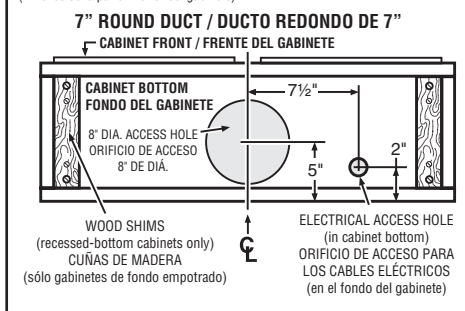
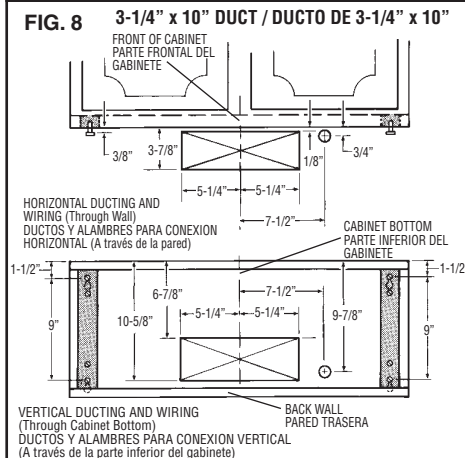
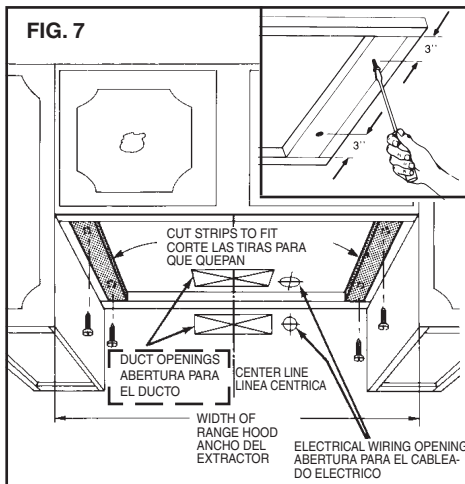
NOTE: Make sure that arrows on filter retaining clip point toward back and front of hood.

LIGHT BULB REPLACEMENT

Light bulb (not supplied with hood) should be 75 watts maximum. The lens covering bulb is removed by pressing the two extending tabs together until they release from the retaining slots. (FIG. 14)

FAN ASSEMBLY REMOVAL

Be sure power is disconnected. Remove filters. Remove the two screws holding the motor bracket to the range hood and unplug the fan assembly. Be careful not to allow fan assembly to drop when the screws are removed. (FIG. 15)



INSTALACION CON DUCTO SOLAMENTE

NOTA

La cubierta de las rejillas se debe instalar como se muestra en la figura 3 para que funcione con el conducto.

- Quite la placa de quitar golpeando en el extractor insertando un destornillador en el filo y rompiendo las conexiones que lo sostienen al extractor. Es posible que tenga que golpear el destornillador con un martillo para romper estas uniones. Pele la tapa de quitar golpeando hacia atrás con una tenaza. (FIG. 5)
- Junte el conector del regulador/ducto sobre la abertura y sujételo en su sitio con tornillos negros de metal para lámina. (FIG. 6)
Los pasadores de bisagra y el conector del regulador/ducto deben de estar hacia la parte de arriba del extractor para pasar el ducto a través de la pared o hacia la parte de atrás del extractor para pasar el ducto a través de gabinete encima del extractor. Selle la unión entre el conector regulador/ducto con cinta de ducto.
- Sólo para descargas con conducto redondo de 7":** Vuelva a instalar la placa del conducto redondo de 7" que quitó en el paso 2 de la sección "PREPARANDO EL EXTRACTOR." **Para obtener un mejor rendimiento, alinee la placa del conducto redondo de 17.8 cm (7") con la abertura redonda de 17.8 cm (7") de la campana.** Monte la placa del conducto a la campana con dos tornillos desde la placa del conducto y con dos tornillos desde el tiro de 8.3 x 25.4 cm (3 1/4" x 10"). Instale un regulador de tiro redondo de 7" (se compra por separado). La aleta del regulador se debe abrir libremente en dirección del flujo de aire (en sentido contrario a la campana de la estufa).

PREPARANDO LA UBICACION DE LA INSTALACION

NOTA

MONTE EL EXTRACTOR DE MANERA QUE LA PARTE INFERIOR ESTÉ 18"-24" ENCIMA DE LA SUPERFICIE DE LA COCINA. LA PARTE SUPERIOR DEL FRENTE DEL EXTRACTOR DEBE DE ESTAR A RAS CON EL FRENTE DEL ARMAZÓN DEL GABINETE. SI LA DISTANCIA ENTRE LA PARED Y LA PARTE FRONTAL DEL ARMAZÓN DEL GABINETE ES MÁS DE 12" HABRÁ UN ESPACIO ENTRE LA PARTE DE ATRÁS DEL EXTRACTOR Y LA PARED. ESTO ES NORMAL.

OMITA PASO 7 si el extractor estará instalado debajo de un gabinete con la parte inferior plana.

- (Para instalación en gabinetes ahuecados solamente) Sujete una tira de madera a cada lado de la parte inferior ahuecada debajo del gabinete. (Use dos tiras de madera de 1" x 2" cortadas al largo necesario.) Si el ahuecamiento es más de 1" use tiras más gruesas. Sujete las tiras con tornillos de 1-1/4" a una distancia de más o menos 3" del extremo. Véase FIG. 7.
- Mida y marque lo siguiente (FIG. 7 & 8):
 - Abertura para la línea eléctrica
 - Abertura para el ducto
- Perfore cuatro huecos pilotos en las esquinas ya marcadas de la abertura para el ducto como se muestra y luego corte una abertura con un serrucho sable o un serrucho para cerradura.
- Use una broca de 1-1/4" para perforar una abertura para la conexión eléctrica en la pared o gabinete.
- Sostenga al extractor debajo de la parte inferior del gabinete y trace las ranuras en forma de hueco de cerradura en la parte inferior del gabinete donde se instalarán las tiras de madera.
- Atornille cuatro de los tornillos de madera de 7/8" para montar el extractor en el centro exacto de la parte estrecha de la ranuras en forma de cerradura que se marcaron debajo del gabinete. Permita que 3/8" de los tornillos queden afuera, para que luego pueda instalarse al extractor en su sitio.

INSTALANDO LOS DUCTOS

NOTESE

ESTAS INSTRUCCIONES SEGUIRÁN LOS PLANES HECHOS EN LA PÁGINA 2. COMIENCE EN LA PARTE EXTERIOR Y TRAIGA EL DUCTO HACIA EL EXTRACTOR. PARA EL MEJOR RENDIMIENTO DE SU EXTRACTOR, USE EL CAMINO MÁS CORTO DE DUCTO Y UN MÍNIMO DE CODOS. NUNCA DESCARGUE EL AIRE DEL EXTRACTOR EN EL ESPACIO DE LA BUHARDILLA PORQUE UNA ACUMULACION DE GRASA PODRÍA CAUSAR UN INCENDIO. USE SOLAMENTE DUCTOS DE METAL (NO USE DUCTOS DE PLÁSTICO). ENSÁMBLELOS BIEN DE MANERA QUE EN CASO DE QUE HUBIESE UN INCENDIO CAUSADO POR GRASA, EL INCENDIO SE QUEDARÁ CONTENIDO DENTRO DE LOS DUCTOS DE METAL. ES UNA BUENA PRÁCTICA EL PONER CINTA EN TODAS LAS CONEXIONES DEL DUCTO HACIÉNDOLOS NO SOLAMENTE SEGUROS SI NO TAMBIÉN A PRUEBA DE ESCAPE DE AIRE.

- Siga las direcciones apropiadas abajo para el tipo de ductos que esté instalando:

CASQUETES DE PARED (FIG. 9)

Use una sierra sable para cortar un hueco ligeramente más grande que el diámetro del ducto de manera que el ducto se alinee más fácilmente con el extractor. Instale tiras de sostén en las paredes exteriores que estén acabadas con superficie exterior de madera, aluminio o vinilo. Ensamble los ductos y ponga cinta en todas las uniones. Traiga los ductos de afuera hacia al extractor. Sujete el casquete de pared a la última sección de ducto y clave el casquete a la pared. Selle alrededor de la caja del casquete con un compuesto para rellenar. Asegúrese que hay suficiente ducto que entra a la cocina de manera que el ducto sobrepasará y entrará dentro del conector de regulador/ducto por lo menos por 3/4" cuando esté el ducto instalado.

CASQUETES DEL TECHO

Corte un hueco en el techo más grande que el diámetro del ducto de manera que el ducto se alinearé más fácilmente con el extractor. Recorte el tejado (tabillas de tejado) alrededor de hueco de manera que quepan apretadamente alrededor de casquete cuando éste instalado. Ensamble los ductos y ponga cinta aislante en todas las uniones. Traiga el ducto hacia abajo, al extractor. Recorte el ducto paralelo a la inclinación del techo, dejando 3/4" de ducto que se proyecte más arriba de techo. Selle la abertura alrededor de ducto con cemento de techo.

Instale el casquete insertando el filo de atrás de la caja del casquete debajo de las tabillas del tejado. Selle alrededor del casquete con cemento de techo y selle todas las cabezas de clavos y tabillas que fueron cortadas o levantadas.

Asegúrese que haya suficiente ducto que se proyecte dentro la cocina de manera que el ducto sobrepase al conector de regulador/ducto por 3/4" cuando el extractor esté en su sitio.

INSTALANDO EL EXTRACTOR

- Pase el cableado eléctrico a través del hueco de acceso perforado en la pared o la parte inferior del gabinete. Suministre alambres de por lo menos 6" e instale el conector apropiado para el tipo de cable que está usándose. Quite la tuerca de traba del conector y deje que el cable preparado se proyecte a través del gabinete o abertura de pared de manera que esté listo para instalarse dentro del extractor. (FIG. 10)
- Posicione al extractor en su sitio de manera que:
 - La línea eléctrica pase a través de la abertura de quitar golpeando. Este paso se puede conseguir mientras se posiciona el extractor. (FIG. 13)
 - La parte más grande de las ranuras en forma de hueco de cerradura en el extractor caben sobre los tornillos montantes que están proyectándose de la parte inferior del gabinete. (FIG. 11)
 - El conector para el regulador/ducto se desliza sobre los ductos en la pared o gabinete.
- Ajuste el extractor de manera que la parte frontal del extractor esté a ras con la parte frontal del gabinete.
- Ajuste los cuatro tornillos para madera apretándolos firmemente.
- Instale una tuerca de traba al conector eléctrico y apriételo.
- Haga la conexión eléctrica usando tuercas de alambre para conectar el alambre blanco a blanco, negro a negro. Conecte el extractor a tierra a través del hueco preparado, usando el tornillo verde suministrado. (FIG. 12)
- Ponga la tapa de la caja del cableado y atornillela. Asegúrese que todo el cableado esté dentro de la caja.

NOTA

Para instalación sin ducto solamente:

Instale ambos filtros. Asegúrese que el filtro (compra separado) que no necesita ducto esté más cerca del ensamblaje del ventilador con el lado azul hacia las aspas. El filtro de aluminio debe de estar en la parte exterior.

USO Y MANTENIMIENTO

LOS INTERRUPTORES

El abanico y el foco están controlados individualmente por un interruptor balancín. El interruptor del foco tiene dos posiciones, ENCENDIDO ("ON") y APAGADO ("OFF"). El interruptor del abanico tiene tres posiciones - ALTA ("HIGH"), BAJA ("LOW") y APAGADO ("OFF"). (El interruptor para APAGADO está en la posición de en medio.)

LIMPIEZA

Acabado. Mantenga el extractor limpio usando un detergente suave apropiado para superficies pintadas.

Filtros aluminio. Deberían limpiarse frecuentemente en una solución de detergente para evitar la acumulación de grasa. Estos pueden ser lavados en la lavadora de platos.

QUITANDO EL FILTRO

Retire el filtro girando el clip del filtro hacia un lado y sacando el filtro. En la versión con ductos, gire el clip que retiene el clip hacia un lado y coloque el filtro de aluminio sobre las pestañas de retención en relieve en la parte posterior del alojamiento del ventilador. Gire el clip del filtro de modo que el extremo inferior del clip sujete firmemente el filtro individual en su lugar. (Figura 13)

En la versión sin conducto, coloque el filtro sin conducto (filtro sin conducto que se comprará por separado, modelo 41F) sobre las pestañas en la parte posterior de la carcasa del ventilador. Gire el clip que retiene el filtro de modo que el extremo superior sostenga el filtro firmemente en su lugar. Asegúrese de que el lado azul del filtro sin conducto esté al lado del aspa del ventilador.

NOTA: Asegúrese de que las flechas en el clip que retiene el clip apunten hacia la parte posterior y delantera de la campana.

REEMPLAZO DEL BOMBILLO DE LUZ

El bombillo de luz (que no viene con el extractor) debería de ser de un máximo de 75 vatios. El vidrio lente que cubre el bombillo se quita pellizcando los dos sostenes que se extienden, hasta que se salen de sus ranuras retentoras. (FIG. 14)

COMO QUITAR EL ENSAMBLAJE DEL VENTILADOR

Asegúrese que la potencia eléctrica esté desconectada. Quite los dos tornillos que sostienen el sostén del motor al extractor y desenchufe el ensamblaje de ventilador. Tenga cuidado que no permita que el ensamblaje del ventilador se caiga cuando se quiten los tornillos. (FIG. 15)