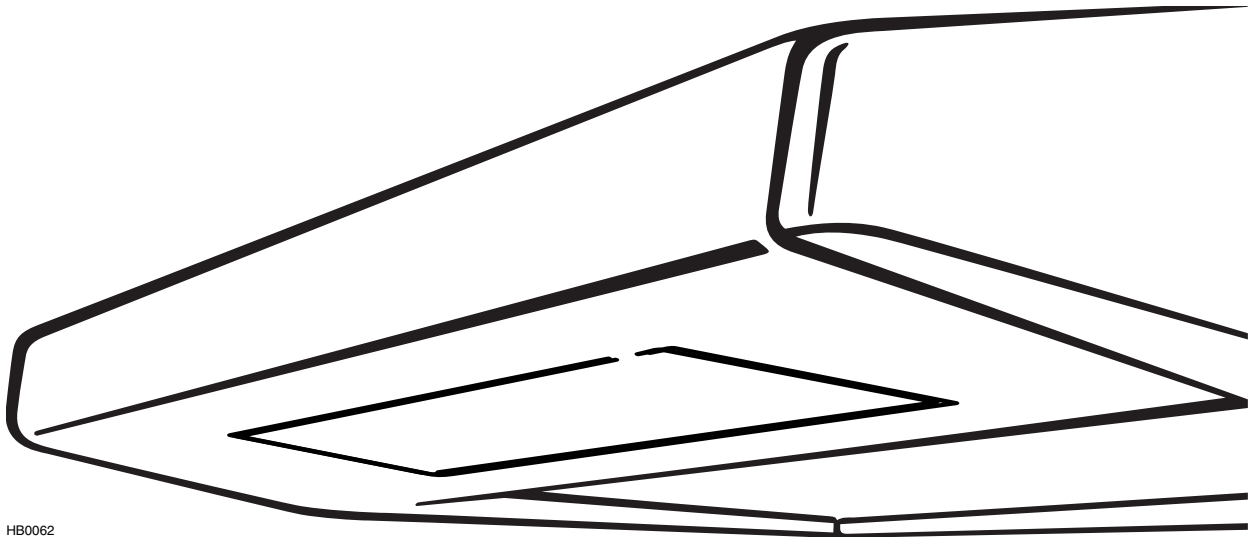


RANGE HOOD INSTALLATION INSTRUCTIONS - USE AND CARE



HB0062

MODELS ESB10, QDE, AND ESC270

⚠ INTENDED FOR DOMESTIC COOKING ONLY ⚠

READ AND SAVE THESE INSTRUCTIONS

INSTALLER: LEAVE THIS MANUAL WITH HOMEOWNER.
HOMEOWNER: CLEANING AND OPERATION INFORMATION
ON PAGES 9 AND 10.

REGISTER YOUR PRODUCT ON LINE AT: www.venmar.ca



SV06727 rev. D

WARNING

TO REDUCE THE RISK OF FIRE, ELECTRIC SHOCK OR INJURY TO PERSONS, OBSERVE THE FOLLOWING:

1. Use this unit only in the manner intended by the manufacturer. If you have questions, contact the manufacturer at the address or telephone number listed in the warranty.
2. Before servicing or cleaning unit, switch power off at service panel and lock service disconnecting means to prevent power from being switched on accidentally. When the service disconnecting means cannot be locked, securely fasten a prominent warning device, such as a tag, to the service panel.
3. Installation work and electrical wiring must be done by qualified personnel in accordance with all applicable codes and standards, including fire-rated construction codes and standards.
4. Sufficient air is needed for proper combustion and exhausting of gases through the flue (chimney) of fuel burning equipment to prevent backdrafting. Follow the heating equipment manufacturer's guidelines and safety standards such as those published by the National Fire Protection Association (NFPA), and the American Society for Heating, Refrigeration and Air Conditioning Engineers (ASHRAE), and the local code authorities.
5. When cutting or drilling into wall or ceiling, do not damage electrical wiring and other hidden utilities.
6. Ducted fans must always be vented to the outdoors.
7. Do not use this unit with any solid-state speed control device.
8. To reduce the risk of fire, use only metal ductwork.
9. This unit must be grounded.
10. When applicable local regulations comprise more restrictive installation and/or certification requirements, the aforementioned requirements prevail on those of this document and the installer agrees to conform to these at his own expenses.

TO REDUCE THE RISK OF A RANGE TOP GREASE FIRE:

- a) Never leave surface units unattended at high settings. Boilovers cause smoking and greasy spillovers that may ignite. Heat oils slowly on low or medium settings.
- b) Always turn hood ON when cooking at high heat or when cooking flambeing foods (i.e.: crêpes Suzette, cherries jubilee, peppercorn beef flambé).
- c) Clean ventilating fans frequently. Grease should not be allowed to accumulate on fan or filter.
- d) Use proper pan size. Always use cookware appropriate for the size of the surface element.

WARNING

TO REDUCE THE RISK OF INJURY TO PERSONS IN THE EVENT OF A RANGE TOP GREASE FIRE, OBSERVE THE FOLLOWING*:

1. SMOTHER FLAMES with a close-fitting lid, cookie sheet or metal tray, then turn off the burner. BE CAREFUL TO PREVENT BURNS. IF THE FLAMES DO NOT GO OUT IMMEDIATELY, EVACUATE AND CALL THE FIRE DEPARTMENT.
2. NEVER PICK UP A FLAMING PAN – You may be burned.
3. DO NOT USE WATER, including wet dishcloths or towels – This could cause a violent steam explosion.
4. Use an extinguisher ONLY if:
 - A. You own a Class ABC extinguisher and you know how to operate it.
 - B. The fire is small and contained in the area where it started.
 - C. The fire department has been called.
 - D. You can fight the fire with your back to an exit.

*Based on "Kitchen Fire Safety Tips" published by NFPA.

CAUTION

1. For indoor use only.
2. For general ventilating use only. Do not use to exhaust hazardous or explosive materials and vapors.
3. To avoid motor bearing damage and noisy and/or unbalanced impeller, keep drywall spray, construction dust, etc. off power unit.
4. Your hood motor has a thermal overload which will automatically shut off the motor if it becomes overheated. The motor will restart when it will cool down. If the motor continues to shut off and restart, have the hood serviced.
5. The minimum hood distance above cooktop must not be less than 20" for an electric range, and 24" for a gas range. A maximum of 30" above cooktop is highly recommended for best capture of cooking impurities.
6. Two installers are recommended because of the large size and weight of this hood.
7. To reduce the risk of fire and to properly exhaust air, be sure to duct air outside – Do not exhaust air into spaces within walls or ceiling or into attics, crawl space or garage.
8. Because of the high exhausting capacity of this hood, you should make sure enough air is entering the house to replace exhausted air by opening a window close to or in the kitchen.
9. Use with approved cord-connection kit only.
10. Please read specification label on product for further information and requirements.
11. All demonstrator range hoods (model numbers ending by D) are not for sale, unless their original power cord is removed.

ABOUT THIS MANUAL

Please take note this manual uses the following symbols to emphasize particular information:

⚠ WARNING
Identifies an instruction which, if not followed, might cause serious personal injuries including possibility of death.

CAUTION
Denotes an instruction which, if not followed, may severely damage the unit and/or its components.

NOTE: Indicates supplementary information needed to fully complete an instruction.

NOTE: Because this publication covers many hood models, the illustrations are typical ones. Some details of your unit may be slightly different of the ones shown.

TOOLS NEEDED TO INSTALL THE RANGE HOOD

- Phillips screwdriver no. 2 or Robertson no. 1 and no. 2
- Pair of long nose pliers (to open the horizontal or vertical discharge knockout hole)
- Hammer and flat blade screwdriver (to open the electrical knockout hole)
- Sheet metal sheers
- Pair of pliers
- Scissors (to cut duct tape)
- Pen
- Wire stripper

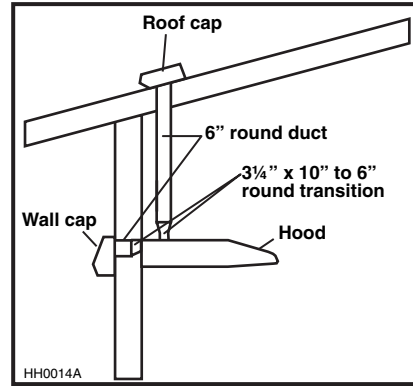
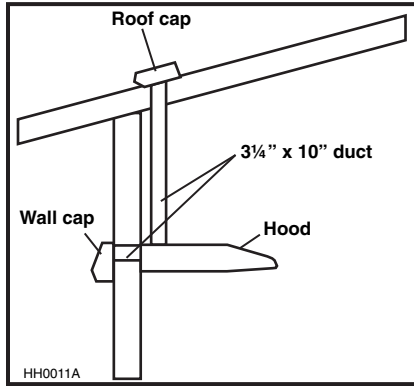
TABLE OF CONTENTS

1. INSTALL DUCTWORK	4
2. MEASURE THE INSTALLATION	4
3. PREPARE THE INSTALLATION	5
4. PREPARE THE HOOD	5-6
5. INSTALL THE ADAPTER/DAMPER	6-7
6. INSTALL THE HOOD	7
7. CONNECT WIRING	7
8. REINSTALL BOTTOM PANEL AND FILTERS	8
9. FLUORESCENT LAMPS	8
10. CLEANING	9
11. OPERATION	10
12. SERVICE PARTS	11-12

1. INSTALL DUCTWORK

Plan where and how the ductwork will be installed.

Install proper-sized ductwork, elbow(s) and roof or wall cap for the type of blower you are installing. If using 6" (150 mm) round ducts, use a transition. Use 2" (50 mm) metal foil duct tape to seal joints.

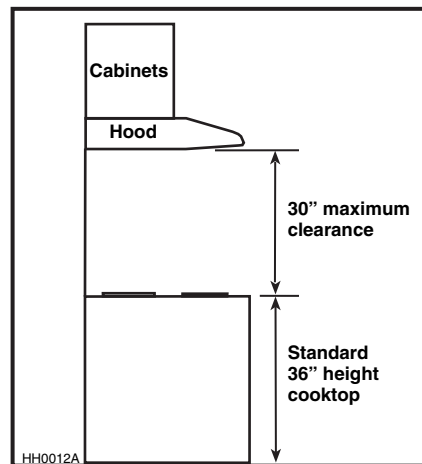
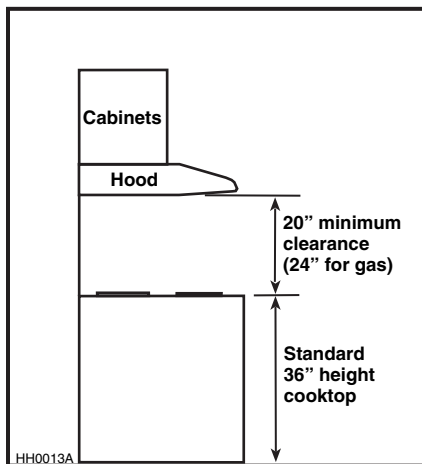


2. MEASURE THE INSTALLATION

Dimensions for the most common installations are shown below.

We recommend to install the hood at a minimum of 20" (508 mm) from an electric range and at 24" (610 mm) from a gas range.

For optimal performance, the hood should not be installed more than 30" (762 mm) from cooktop.



3. PREPARE THE INSTALLATION

Make sure the following items are included:

- Hood
- Filters (2)
- Adapter/damper assembly 3 1/4" x 10" (located inside the hood, under the bottom panel)
- Compact fluorescent lamps (120 V, 13 W, PLC13, 2700 K with G24q-1 base) (packed behind the light diffuser)
- Parts bag (located inside the hood, under the bottom panel) including:
 - 1 wire clamp, 5 no. 8 x 1/2" double thread screws, 2 wire connectors and 6 no. 6 x 1/2" screws

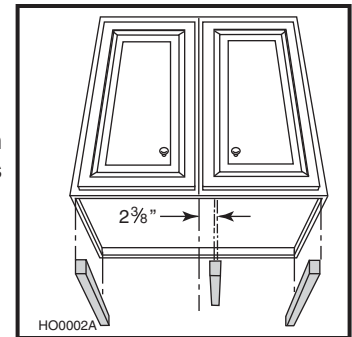
Part sold separately:

- Transition 3 1/4" x 10" to 6" round (optional, for 6" round ducts installation only)

CAUTION

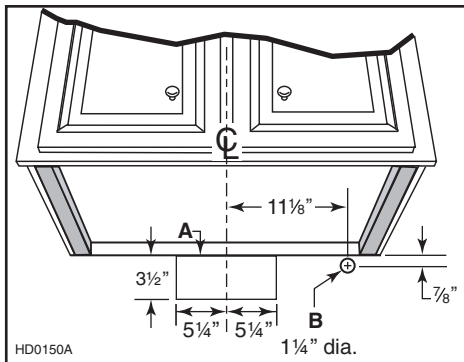
When performing installation, servicing or cleaning the unit, it is recommended to wear safety glasses and gloves.

NOTE: If the bottom of the cupboard is recessed, attach wood strips (not included), as shown beside, in order to properly install the range hood under the cabinet. The wood strips must be as thick as recess.

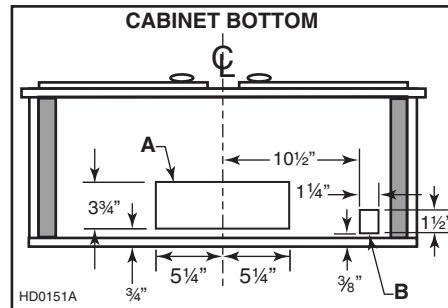


Cut-out the openings for duct (A) and power cable (B), in cabinet or wall, according to the direction of discharge chosen. See figures below.

HORIZONTAL DISCHARGE:



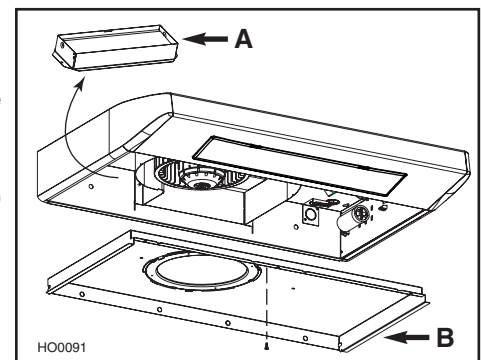
VERTICAL DISCHARGE:



4. PREPARE THE HOOD

Remove both filters from the hood. Disassemble the adapter/damper (A) from the hood.

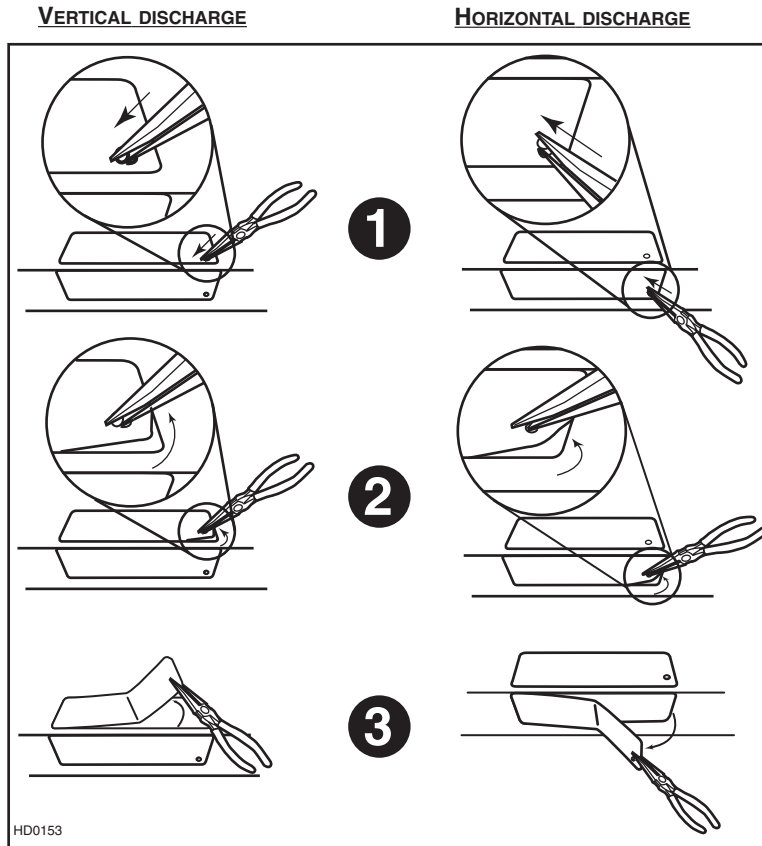
NOTE: The adapter/damper is located inside the hood. Remove the bottom panel (B) to access the adapter/damper. Refer to figure beside.



4. PREPARE THE HOOD (CONT'D)

Punch out the appropriate electrical knock-out hole.

Using a long nose pliers, remove the knock-out for the chosen opening (vertical on top or horizontal at the back of the hood). See figures below.

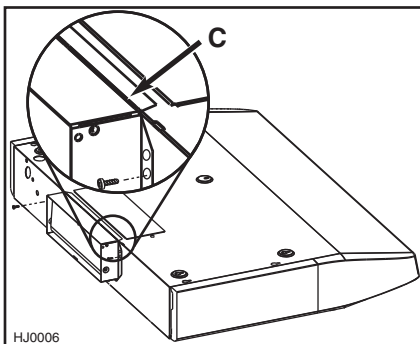


5. INSTALL THE ADAPTER/DAMPER

NOTE: If this hood replaces another one, please note that the location of the air exhaust can vary from one manufacturer to another.

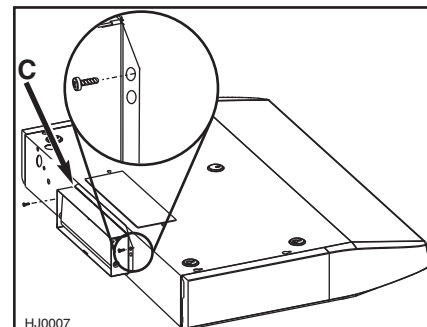
HORIZONTAL DISCHARGE, NEW INSTALLATION

Fold down the foldable flange (C) of the adapter/damper. This flange must be at 90° from the remaining flanges. Use the lower screw holes on each side of the adapter/damper to assemble it to the back of hood. See below.



HORIZONTAL DISCHARGE, HOOD REPLACEMENT

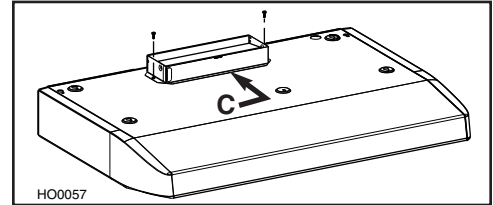
It may be necessary to adjust the adapter/damper location to the existing wall discharge opening. Leave the foldable flange (C) of the adapter/damper as is. Use the upper screw holes on each side of the adapter/damper to assemble it to the back of hood. See below.



5. INSTALL THE ADAPTER/DAMPER (CONT'D)

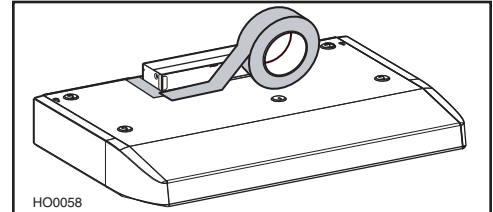
VERTICAL DISCHARGE

For a **vertical discharge installation only**, leave the foldable flange (C) of the adapter/damper as is. This flange must be located towards the front of the hood. See beside.



ALL INSTALLATIONS

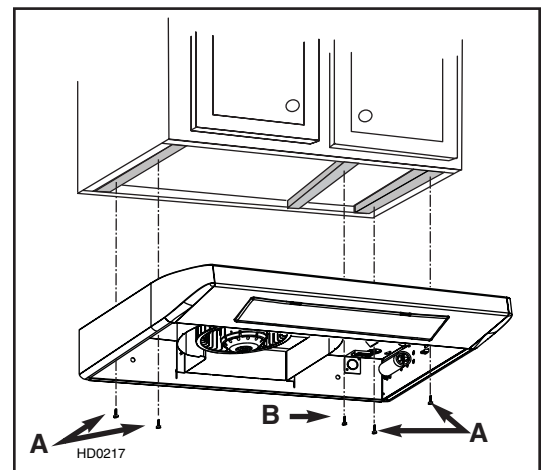
Using two 1/2" screws, secure the adapter/damper to the top or back of the hood. Seal the adapter/damper to the hood using metal foil duct tape.



- NOTES:
1. For the best ventilation performance, if a round duct must be used, the duct diameter must be 6" or more. Use a 3 1/4" x 10" to 6" round transition.
 2. The wall duct must be well prepared to receive the adapter. Before performing the installation, make sure the adapter fits easily in the duct.

6. INSTALL THE HOOD

Run power cable to installation location. Place the hood at its location. Using a pen, mark the position of the screws (smaller part of the **embossed** keyholes). Remove the hood and install four 1/2" double thread screws at sides locations (A), leaving a 1/8" gap. Place the wire clamp, insert the cable in the hood and tighten the wire clamp to secure the cable. Place the hood under the cabinet and slide it in position. Make sure the adapter/damper assembly enters the ducting and the damper opens freely. Secure the hood by tightening the screws completely. Install the last 1/2" double thread screw (B) in the remaining embossed hole.



7. CONNECT WIRING

⚠ WARNING

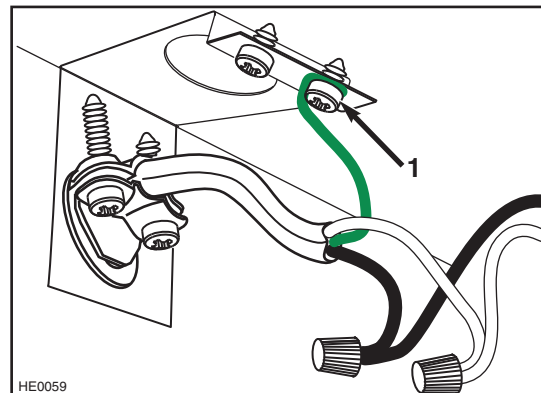
Risk of electrical shock. Electrical wiring must be done by qualified personnel in accordance with all applicable codes and standards. Before connecting wires, switch power off at service panel and lock service disconnecting means to prevent power to be switched on accidentally.

Connect cable to range hood wiring using included wire connectors.

Connect BLACK to BLACK, WHITE to WHITE and GREEN or BARE WIRE to GREEN ground screw (1).

⚠ WARNING

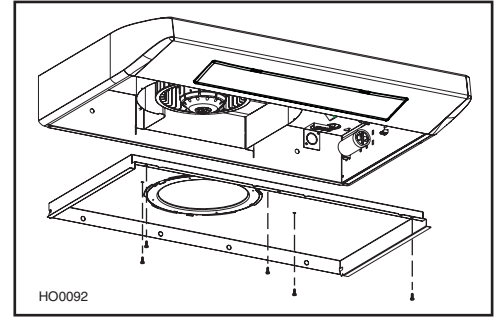
Do not forget to connect the ground!



8. REINSTALL BOTTOM PANEL AND FILTERS

Reinstall the bottom panel, using the retaining screw previously removed in step 4 plus 4 others from parts bag. Refer to illustration beside.

Then, reinstall filters.



9. FLUORESCENT LAMPS

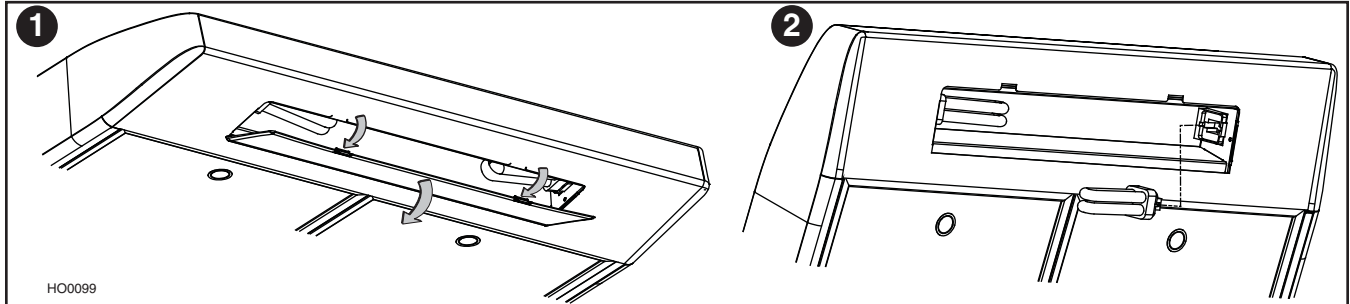
⚠ WARNING

This hood has fluorescent lamps containing mercury. Dispose of appropriately, according to local laws and requirements.

This range hood must use compact fluorescent lamps (120 V, 13 W, PLC13, 2700 K with G24q-1 base) (included).

NOTE: The range hood is shipped with both fluorescent lamps packed behind the light diffuser.

1. To access fluorescent lamps, remove the light diffuser by pushing on its both tabs and pulling it down.
2. To install the fluorescent lamps, slide their 4 prongs into their corresponding holes in their socket until secured. Reinstall the light diffuser.



⚠ WARNING

In order to prevent the risk of personal injury, the fluorescent lamps must be cooled down before removing them.

To remove fluorescent lamps, remove the light diffuser and pull fluorescent lamps out of their socket.

NOTE: Some fluorescent lamps may produce a yellowish lighting on first usages. This temporary effect will disappear out in time by itself.

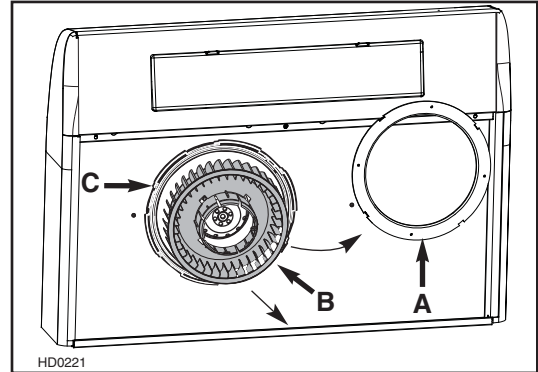
10. CLEANING

The grease filters, bottom panel, intake ring (A) and blower wheel (B) should be cleaned frequently. Use a warm detergent solution. The grease filters, intake ring and blower wheel are dishwasher safe.

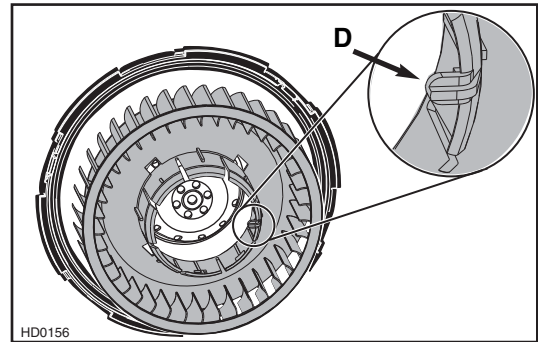
Clean all-metal filters in the dishwasher using a non-phosphate detergent. Discoloration of the filter may occur if using phosphate detergents, or as a result of local water conditions — but this will not affect filter performance. This discoloration is not covered by the warranty.

To remove the blower wheel, first take off its intake ring. Then remove the blower wheel by pulling it down smoothly.

NOTE: Do not try to remove the black part (C) attached to the bottom panel.



When reinstalling the blower wheel, make sure the small tab (D) will fit into one hole of the motor.



STAINLESS STEEL CLEANING:

Do:

- Regularly wash surfaces with clean cloth or rag soaked with warm water and mild soap or liquid dish detergent.
- Always clean in the direction of original polish lines.
- Always rinse well with clear water (2 or 3 times) after cleaning. Wipe completely dry.
- You may also use a specialized household stainless steel cleaner.

Don't:

- Use any steel or stainless steel wool or any other scrapers to remove stubborn dirt.
- Use any harsh or abrasive cleansers.
- Allow dirt to accumulate.
- Let plaster dust or any other construction residues reach the hood. During construction or renovation, cover the hood to make sure no dust adheres to stainless steel surface.

Avoid: when choosing a detergent

- Any cleaners that contain **bleach** will attack stainless steel.
- Any products containing: **chloride, fluoride, iodide, bromide** will deteriorate surfaces rapidly.
- Any **combustible products** used for cleaning such as **acetone, alcohol, ether, benzol**, etc., are highly explosive and should never be used close to a range.

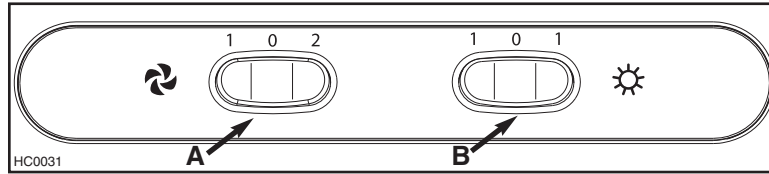
ENAMEL FINISH:

Clean with warm water and mild detergent only. If discoloration occurs, use a good enamel polish such as automotive polish. (DO NOT use rough abrasive cleaner or porcelain cleaner.)

11. OPERATION

Always turn on the hood before beginning cooking in order to establish an air flow in the kitchen. Let the blower run for a few minutes to clear the air after turning off the range.

ROCKER SWITCH CONTROL



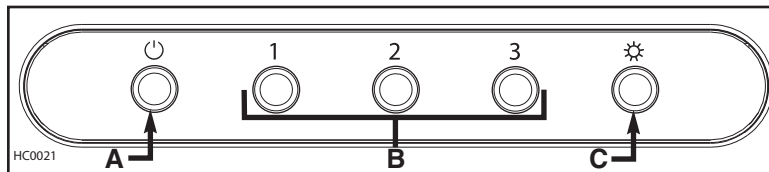
A. ON/OFF BLOWER AND SPEED CONTROL SWITCH:

This 3-position rocker switch controls the blower speed. Pressing on left side (1) will result in low speed operation, while pressing on right side (2) will turn on the blower to high speed. To stop the blower operation, set the rocker switch to the central position (0).

B. ON/OFF LIGHTING CONTROL SWITCH:

This 3-position rocker switch controls the lighting. Press either on left side (1) or right side (1) to obtain full lighting. To shut off the lights, set the rocker switch to the central position (0).

MECHANICAL PUSH-BUTTON CONTROL



A. OFF BLOWER SWITCH:

Press on this switch to stop the blower operation.

B. SPEED BLOWER SWITCHES:

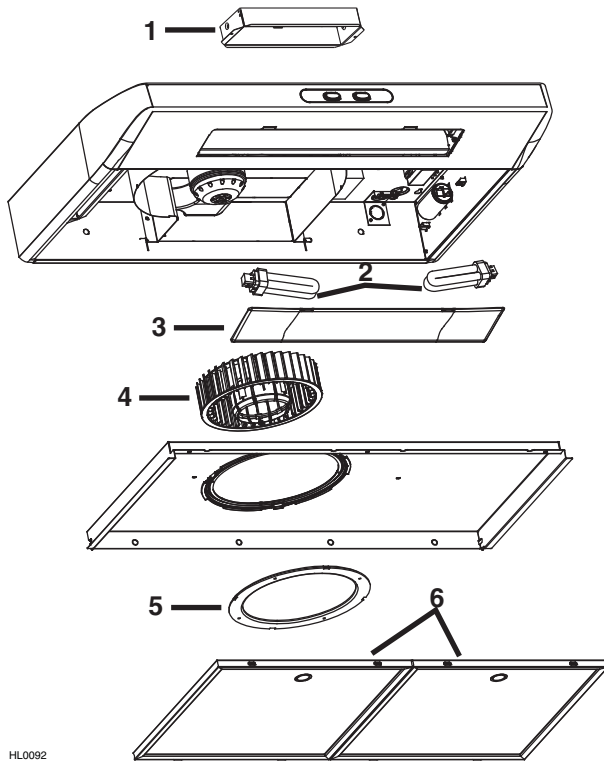
Press on left switch (1) to turn on the blower on low speed, on middle switch (2) to turn on the blower on medium speed, and on right switch (3) to turn on the blower on high speed.

C. ON/OFF LIGHTING SWITCH:

Press on this switch to turn on the fluorescent lights, and press again to turn them off.

12. SERVICE PARTS

MODEL ESB10

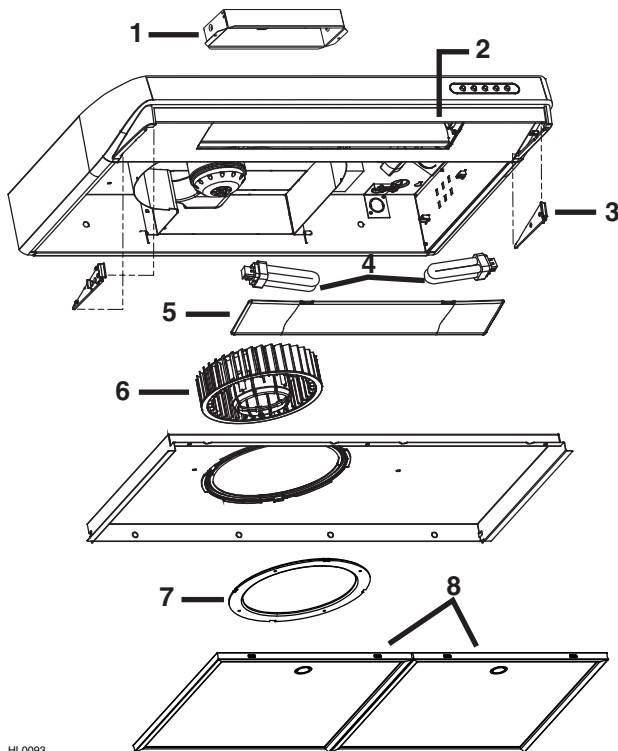


HL0092

KEY No.	PART No.	DESCRIPTION	QTY.
1	13296	ADAPTER/DAMPER	1
2	03623	FLUORESCENT LAMP	2
3	01752	LIGHT DIFFUSER	1
4	01988	BLOWER WHEEL	1
5	01757	INLET RING	1
6	14131	MICROMESH FILTER (THE PAIR)	1
*	SV06727	INSTALLATION & USER MANUAL	1
*	04281	HARDWARE BAG: (1) WIRE CLAMP, (2) WIRE CONNECTORS, (6) NO. 6 x 1/2" SCREWS, (5) NO. 8 x 1/2" DOUBLE THREAD SCREWS	1

*Not shown

MODEL ESC270



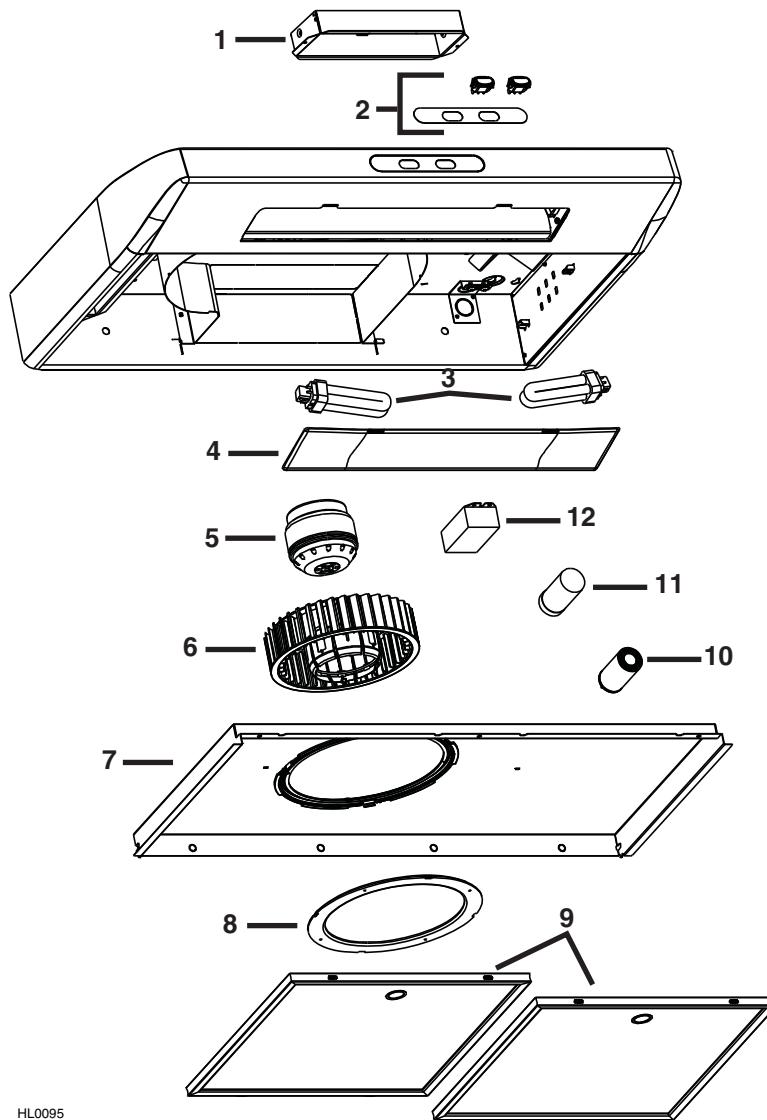
HL0093

KEY No.	PART No.	DESCRIPTION	QTY.
1	13296	ADAPTER/DAMPER	1
2	16153	SMOKED GLASS	1
3	16150	GLASS HOLDER BLACK (PAIR)	1
	16151	GLASS HOLDER WHITE (PAIR)	1
	16152	GLASS HOLDER GREY (PAIR)	1
4	03623	FLUORESCENT LAMP	2
5	01752	LIGHT DIFFUSER	1
6	01988	BLOWER WHEEL	1
7	01757	INLET RING	1
8	14131	MICROMESH FILTER (THE PAIR)	1
*	SV06727	INSTALLATION & USER MANUAL	1
*	04281	HARDWARE BAG: (1) WIRE CLAMP, (2) WIRE CONNECTORS (6) NO. 6 x 1/2" SCREWS, (5) NO. 8 x 1/2" DOUBLE THREAD SCREWS	1

*Not shown

12. SERVICE PARTS

MODEL QDE

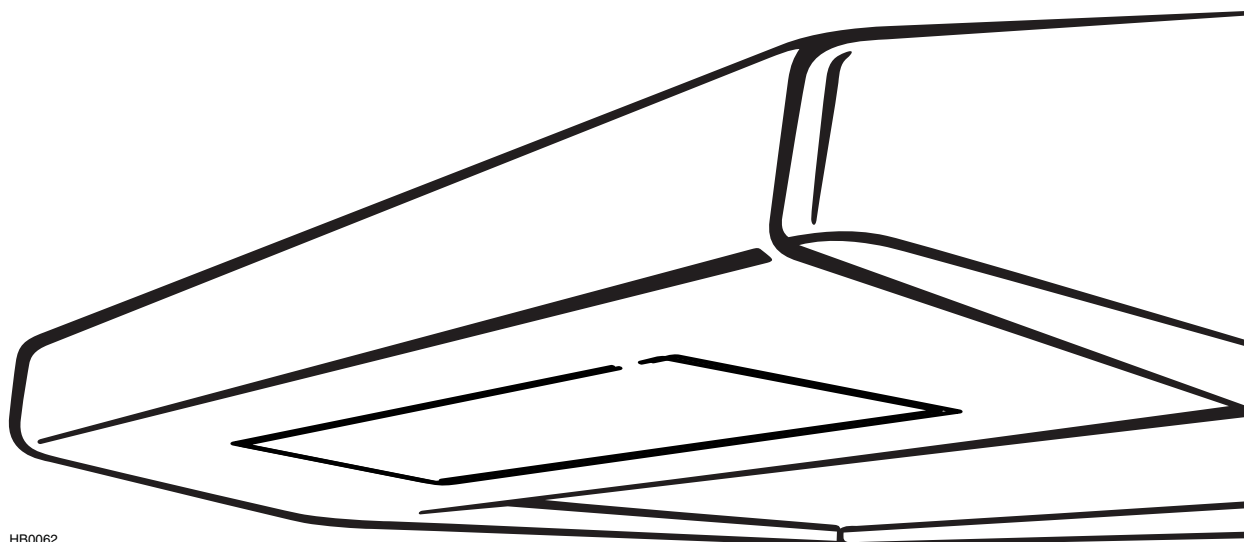


HL0095

KEY No.	PART No.	DESCRIPTION	QTY.
1	SV13296	ADAPTER/DAMPER	1
2	SV15434	ROCKER SWITCH WHITE (PAIR) + OVERLAY WHITE	1
	SV15433	ROCKER SWITCH BLACK (PAIR) + OVERLAY BLACK	1
3	SV03623	FLUORESCENT LAMP	2
4	SV01752	LIGHT DIFFUSER	1
5	SV01765	MOTOR	1
6	SV01988	BLOWER WHEEL	1
7	SV16119	BOTTOM PAN WHITE	1
	SV16117	BOTTOM PAN BLACK	1
8	SV01757	INLET RING	1
9	SV14131	MICROMESH FILTER (THE PAIR)	1
10	SV02104	SECONDARY CAPACITOR 7.5 μ F	1
11	SV06756	CAPACITOR 11.5 μ F	1
12	SV03649	BALLAST HARNESS (SOCKET LAMPS INCLUDED)	1
*	SV06727	INSTALLATION & USER MANUAL	1
*	SV04281	HARDWARE BAG: (1) WIRE CLAMP, (2) WIRE CONNECTORS (6) NO. 6 X 1/2" SCREWS, (5) NO. 8 X 1/2" DOUBLE THREAD SCREWS	1

*Not shown

HOTTES DE CUISINIÈRE DIRECTIVES D'INSTALLATION, D'UTILISATION ET D'ENTRETIEN



HB0062

MODÈLES ESB10, QDE ET ESC270

⚠ CONÇUES UNIQUEMENT POUR LA CUISSON DOMESTIQUE ⚠

VEUILLEZ LIRE ET CONSERVER CES DIRECTIVES

INSTALLATEUR : LAISSEZ CE GUIDE AU PROPRIÉTAIRE.
PROPRIÉTAIRE : DIRECTIVES D'ENTRETIEN ET DE FONCTIONNEMENT
EN PAGES 21 et 22.

ENREGISTREZ VOTRE PRODUIT EN LIGNE À : www.venmar.ca



SV06727 rév. D

AVERTISSEMENT

AFIN DE RÉDUIRE LES RISQUES D'INCENDIE, D'ÉLECTROCUTION OU DE BLESSURES CORPORELLES, SUIVEZ LES DIRECTIVES SUIVANTES :

1. N'utilisez cet appareil que de la façon prévue par le fabricant. Si vous avez des questions, contactez le fabricant à l'adresse et au numéro de téléphone indiqués sur la garantie.
2. Avant de nettoyer ou de réparer l'appareil, coupez le courant au panneau d'alimentation et verrouillez-en l'accès afin d'éviter sa remise en marche accidentelle. Si le panneau d'alimentation ne peut être verrouillé, y fixer un indicateur voyant comme, par exemple, une étiquette de couleur vive.
3. Les travaux d'installation et de raccordement électrique doivent être effectués par du personnel qualifié, conformément aux codes et standards de construction, incluant ceux concernant la prévention des incendies.
4. Une circulation d'air efficace est requise afin d'assurer la combustion et l'évacuation complète des gaz par la cheminée des équipements à combustion, afin de prévenir les retours de cheminée. Conformez-vous aux instructions et aux standards de sécurité des fabricants d'équipement de chauffage, tels que publiés par le *National Fire Protection Association (NFPA)*, et l'*American Society for Heating, Refrigeration and Air Conditioning Engineers (ASHRAE)*, ainsi que les responsables des codes locaux.
5. Lorsque vous coupez ou percez un mur ou un plafond, prenez garde de ne pas endommager les fils électriques ou autre installation qui pourrait y être dissimulés.
6. Les conduits de l'installation doivent toujours rejeter l'air à l'extérieur.
7. Ne pas utiliser cet appareil avec une autre commande de vitesse à semi-conducteur.
8. Afin de réduire les risques d'incendie, n'utilisez que des conduits en métal.
9. Cet appareil doit être relié à une mise à la terre.
10. Lorsqu'une réglementation est en vigueur localement et qu'elle comporte des exigences d'installation et/ou de certification plus restrictives, lesdites exigences prévalent sur celles de ce document et l'installateur entend s'y conformer à ses frais.

AFIN DE RÉDUIRE LES RISQUES DE FEU DE CUISINIÈRE :

- a) Ne jamais laisser les appareils de cuisson sans surveillance lorsqu'ils sont réglés à feu vif. Les débordements engendrent de la fumée et des déversements graisseux pouvant s'enflammer. Chauffez l'huile lentement, à feu doux ou moyen.
- b) Mettez toujours la hotte en marche lorsque vous cuisinez à feu vif ou que vous cuisinez des mets flambés (par ex. : crêpes Suzette, cerises jubilé, steak au poivre flambé).
- c) Nettoyez régulièrement la roue du ventilateur. Ne laissez pas la graisse s'accumuler sur le ventilateur ou les filtres.
- d) Utilisez le bon format de casserole. Servez-vous toujours de casseroles et d'ustensiles appropriés à la dimension de la surface chauffante.

AVERTISSEMENT

AFIN D'ÉVITER TOUS RISQUES DE BLESSURE DANS LE CAS D'UN FEU DE CUISINIÈRE, SUIVEZ CES DIRECTIVES* :

1. ÉTOUFFEZ LES FLAMMES avec un couvercle hermétique, une tôle à biscuits ou un plateau métallique, et ensuite éteindre le brûleur. PRENEZ SOIN D'ÉVITER LES BRÛLURES. SI LES FLAMMES NE S'ÉTEignent PAS IMMÉDIATEMENT, ÉVACUEZ LES LIEUX ET APPELER LES POMPIERS.
2. NE PRENEZ JAMAIS UNE CASSEROLE EN FLAMMES DANS VOS MAINS. – Vous pourriez subir des brûlures.
3. N'UTILISEZ PAS D'EAU, incluant linges à vaisselle ou serviettes mouillés – ceci pourrait occasionner une violente explosion de vapeur.
4. N'utilisez un extincteur QUE DANS LE CAS OÙ :
 - A. Vous savez qu'il s'agit d'un extincteur de classe ABC et que vous en connaissez le fonctionnement.
 - B. L'incendie est petit et limité à l'endroit où il a débuté.
 - C. Les pompiers ont été avisés.
 - D. Vous pouvez combattre l'incendie en ayant accès à une sortie de secours.

*Tirées du *Kitchen Fire Safety Tips* publié par la NFPA.

ATTENTION

1. Pour une utilisation à l'intérieur seulement.
2. Pour usage de ventilation générale seulement. Ne pas utiliser pour évacuer des vapeurs ou des produits dangereux ou explosifs.
3. Afin d'éviter tout dommage au moteur et de débalancer ou de rendre bruyante la roue du moteur, gardez votre appareil à l'abri des poussières de gypse et de construction/rénovation, etc.
4. Le moteur de votre hotte possède une protection thermique qui éteindra automatiquement le moteur s'il devient surchauffé. Le moteur repartira automatiquement une fois refroidi. Si le moteur continue à arrêter et à repartir, faites-le vérifier.
5. Pour une meilleure évacuation des odeurs de cuisine, le bas de votre hotte devrait être à un minimum de 20 po au-dessus d'une cuisinière électrique (24 po au-dessus d'une cuisinière à gaz) et à un maximum de 30 po au-dessus de la surface de cuisson.
6. Deux installateurs sont recommandés lors de l'installation en raison de la grande dimension et du poids de cet appareil.
7. Afin de réduire les risques d'incendie, assurez-vous d'évacuer l'air à l'extérieur. Ne pas évacuer l'air dans des espaces clos comme l'intérieur des murs ou plafond, ou dans le grenier, faux-plafond ou garage.
8. À cause de la grande capacité d'évacuation de cet appareil, il est recommandé d'ouvrir une fenêtre dans une pièce dans ou près de la cuisine afin de remplacer l'air évacué.
9. Cette hotte ne doit être utilisée qu'avec un ensemble de cordon d'alimentation approuvé.
10. Veuillez consulter l'autocollant apposé à l'intérieur du produit pour plus d'informations ou autres exigences.
11. Toutes les hottes de démonstration (ayant un n° de modèle se terminant par D) ne peuvent être vendues, à moins que leur cordon d'alimentation d'origine ne soit retiré.

À PROPOS DE CE GUIDE

Ce guide utilise les symboles suivants afin d'accentuer les informations qui s'y trouvent :

AVERTISSEMENT

Identifie une instruction qui, si elle n'est pas suivie, peut causer de graves blessures corporelles ou la mort.

ATTENTION

Identifie une instruction qui, si elle n'est pas suivie, peut gravement endommager l'appareil et/ou ses pièces.

NOTE : Indique une information supplémentaire afin de réaliser complètement une instruction.

NOTE : En raison du nombre de modèles couverts par cette publication, les illustrations qui s'y trouvent sont typiques. Certains détails de votre hotte peuvent être légèrement différents de ceux démontrés.

OUTILS NÉCESSAIRES À L'INSTALLATION DE LA HOTTE

- Un tournevis Phillips n° 2 ou Robertson n° 1 et n° 2
- Une pince à long bec (pour dégager le trou d'évacuation horizontale ou verticale)
- Un marteau et un tournevis à lame plate (pour dégager le trou d'accès à l'alimentation électrique)
- Des ciseaux à tôle
- Des pinces
- Des ciseaux (pour couper le ruban adhésif de métal)
- Une pince à dénuder
- Un crayon

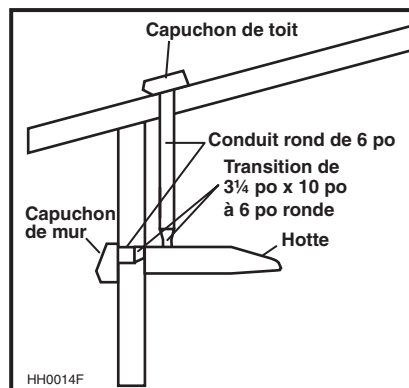
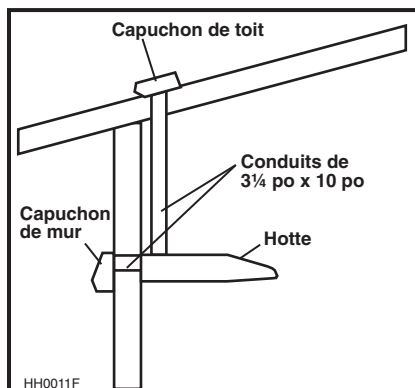
TABLE DES MATIÈRES

1. INSTALLATION DES CONDUITS	16
2. MESURES DE L'INSTALLATION	16
3. PRÉPARATION DE L'INSTALLATION	17
4. PRÉPARATION DE LA HOTTE	17-18
5. INSTALLATION DE L'ADAPTATEUR/VOLET	18-19
6. INSTALLATION DE LA HOTTE	19
7. BRANCHEMENT	19
8. RÉINSTALLATION DU PANNEAU INFÉRIEUR	20
9. LAMPES FLUORESCENTES	20
10. ENTRETIEN	21
11. FONCTIONNEMENT	22
12. PIÈCES DE REMPLACEMENT	23-24

1. INSTALLATION DES CONDUITS

Planifier à quel endroit et de quelle façon seront installés les conduits.

Installer des conduits de format adéquat, coude(s) et capuchon de mur ou de toit selon le genre de ventilateur utilisé. Si des conduits ronds de 6 po (150 mm) sont utilisés, se servir d'une transition. Sceller les joints avec du ruban adhésif en toile de 2 po (50 mm) de largeur.

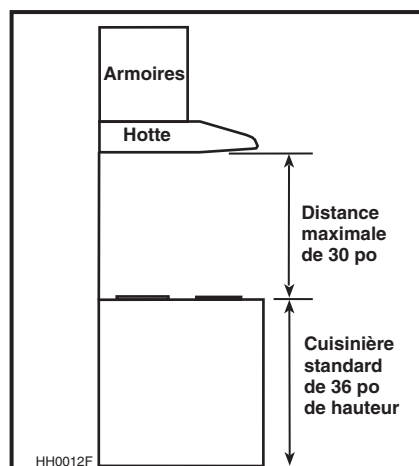
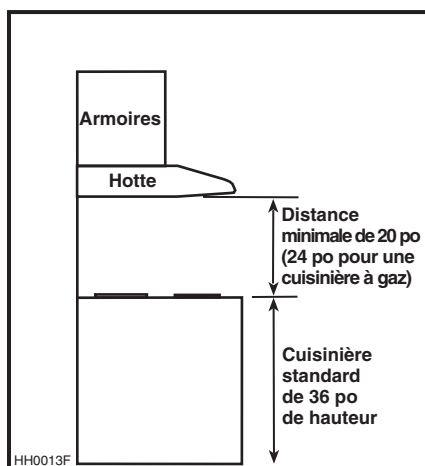


2. MESURES DE L'INSTALLATION

Voici les dimensions pour les installations les plus courantes.

Il est recommandé d'installer la hotte à une distance minimale de 20 po (508 mm) au-dessus d'une cuisinière électrique et de 24 po (610 mm) au-dessus d'une cuisinière à gaz.

Pour des performances optimales, la hotte ne doit jamais être installée à plus de 30 po (762 mm) au-dessus de la table de cuisson.



3. PRÉPARATION DE L'INSTALLATION

S'assurer que les articles suivants sont inclus :

- Hotte
- Filtres (2)
- Adaptateur/volet 3 ¼ po x 10 po (à l'intérieur de la hotte, sous le panneau inférieur)
- Ampoules fluorescentes compactes (120 V, 13 W, PLC13, 2700 K avec culot G24q-1) (emballées derrière le diffuseur lumière)
- Sac de pièces (à l'intérieur de la hotte, sous le panneau inférieur) incluant :
 - 1 serre-fils, 5 vis à double filets n° 8 x 1/2, 2 capuchons de connexion et 6 vis n° 6 x 1/2 po

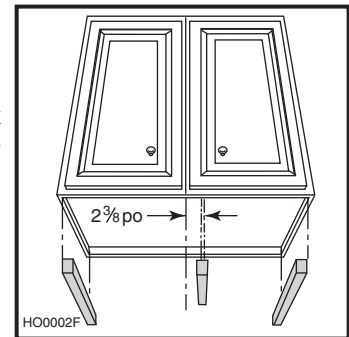
Pièce vendue séparément :

- Transition 3 ¼ po x 10 po à 6 po ronde (optionnelle, pour une installation avec conduits ronds de 6 po seulement).

ATTENTION

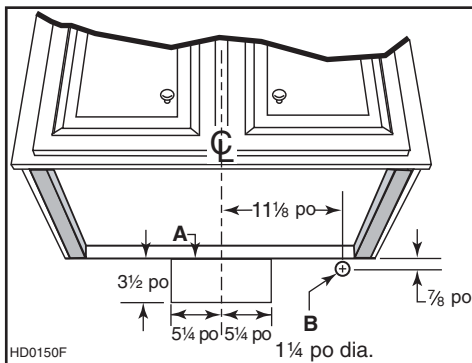
Il est recommandé de porter des lunettes et des gants de sécurité lors de l'installation, de l'entretien ou de la réparation de cet appareil.

NOTE : Si le fond de l'armoire est en retrait, fixer des baguettes de bois (non incluses) aux emplacements prévus pour les vis d'assemblage de la hotte (A). Les baguettes de bois doivent être de la même épaisseur que la profondeur du retrait. Voir ci-dessous.

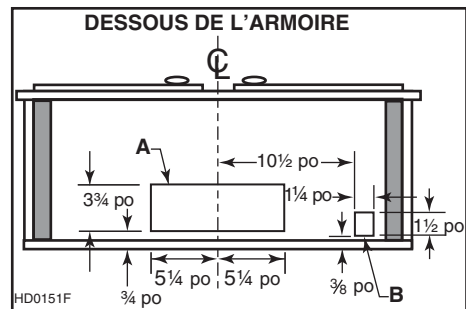


Selon le type d'évacuation choisie, découper, dans l'armoire ou le mur, les ouvertures pour les conduits (A) et le fil d'alimentation électrique (B). Voir les illustrations ci-dessous.

ÉVACUATION HORIZONTALE



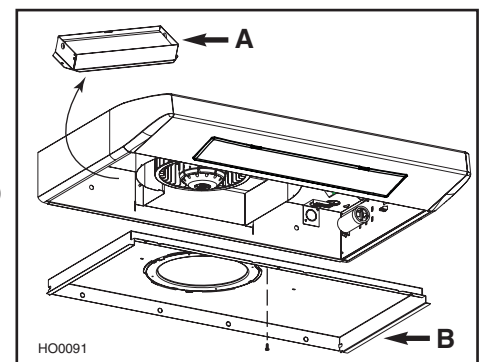
ÉVACUATION VERTICALE



4. PRÉPARATION DE LA HOTTE

Retirer les deux filtres de la hotte. Désassembler l'adaptateur/volet (A) de la hotte.

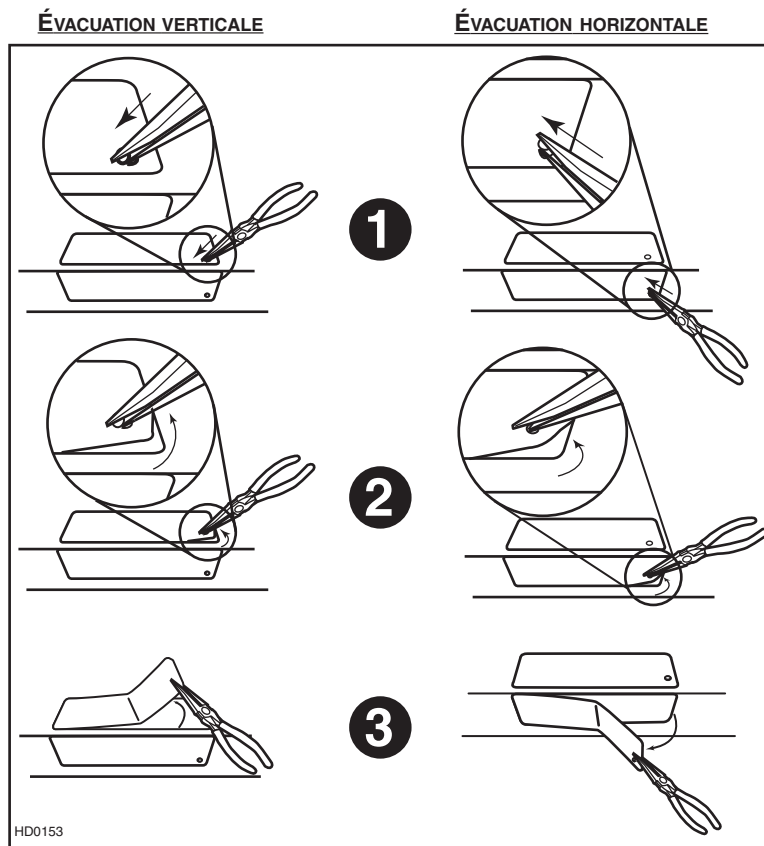
NOTE : L'adaptateur/volet se situe à l'intérieur de la hotte. Le panneau inférieur (B) doit être retiré pour accéder à l'adaptateur/volet. Voir l'illustration ci-contre.



4. PRÉPARATION DE LA HOTTE (SUITE)

Défoncer l'ouverture préamorcée prévue pour le fil d'alimentation électrique.

À l'aide d'une pince à long bec, retirer l'ouverture préamorcée choisie (évacuation verticale sur le dessus ou horizontale à l'arrière de la hotte). Voir les illustrations ci-dessous.

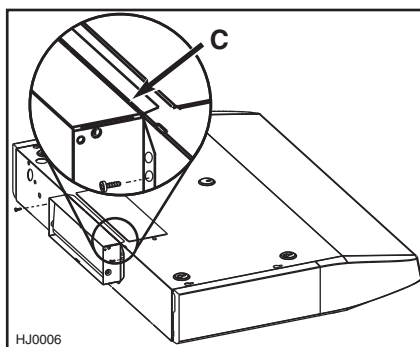


5. INSTALLATION DE L'ADAPTATEUR/VOLET

NOTE : Si cette hotte en remplace une autre, prendre note que la localisation de la sortie d'air peut varier d'un manufacturier à l'autre.

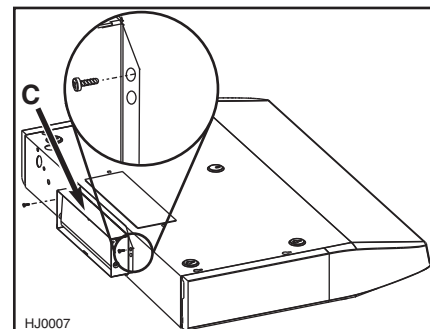
ÉVACUATION HORIZONTALE, NOUVELLE INSTALLATION

Plier le rebord pliable (C) de l'adaptateur/volet. Ce rebord doit être à 90° par rapport aux autres. Assembler l'adaptateur/volet à l'arrière de la hotte en insérant les vis d'assemblage dans le trou inférieur des 2 rebords. Voir ci-dessous.



ÉVACUATION HORIZONTALE, REMPLACEMENT D'UNE HOTTE

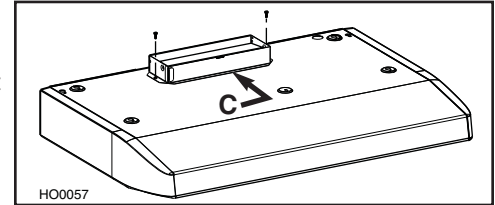
Il peut être nécessaire d'ajuster l'emplacement de l'adaptateur/volet à l'ouverture existante pour l'évacuation par le mur. Pour ce faire, laisser le rebord pliable (C) de l'adaptateur/volet tel quel. Assembler l'adaptateur/volet à l'arrière de la hotte en insérant les vis d'assemblage dans le trou supérieur des 2 rebords. Voir ci-dessous.



5. INSTALLATION DE L'ADAPTATEUR/VOLET (SUITE)

ÉVACUATION VERTICALE

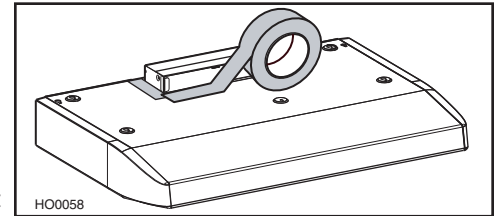
Pour une installation avec **évacuation verticale seulement**, laisser le rebord pliable (C) tel quel. Installer l'adaptateur/volet de façon à ce que ce rebord soit dirigé vers l'avant de la hotte. Voir ci-contre.



TOUTES LES INSTALLATIONS

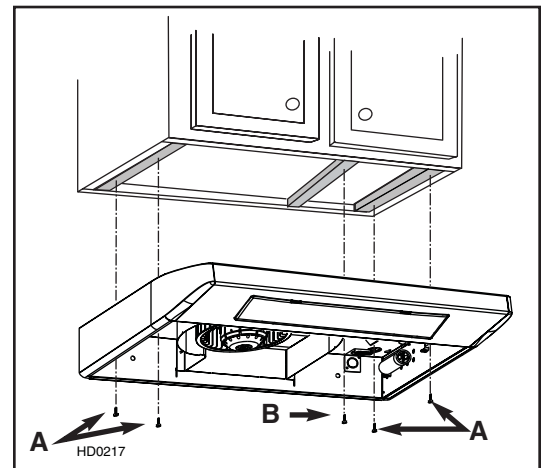
À l'aide de deux vis 1/2 po, fixer l'adaptateur/volet sur le dessus ou à l'arrière de la hotte. Sceller l'adaptateur/volet à la hotte à l'aide de ruban adhésif de métal.

NOTE : Pour obtenir la meilleure performance en ventilation, si un conduit rond doit être utilisé, le diamètre de ce conduit doit être de 6 po ou plus. Utiliser une transition 3¼ po x 10 po à 6 po ronde. Le conduit mural doit être bien préparé pour recevoir l'adaptateur. Avant d'effectuer l'installation, s'assurer que l'adaptateur s'insère bien dans le conduit.



6. INSTALLATION DE LA HOTTE

Passer le fil d'alimentation électrique jusqu'à l'emplacement de la hotte. Placer la hotte à son emplacement. À l'aide d'un crayon, marquer la position des vis (petite partie des trous **embossés** en forme de serrure). Retirer la hotte et visser quatre vis 1/2 po à double filets aux emplacements latéraux (A), en laissant un espace de 1/8 po. Installer le serre-fils à la hotte, y insérer le cordon d'alimentation et serrer le serre-fils pour le maintenir en place. Placer la hotte sous l'armoire et la glisser en position. S'assurer que l'adaptateur/volet entre dans le conduit et que son volet ouvre librement. Visser complètement les vis pour maintenir la hotte en position. Visser la dernière vis 1/2 po à double filets (B) dans le dernier trou embossé.



7. BRANCHEMENT

⚠ AVERTISSEMENT

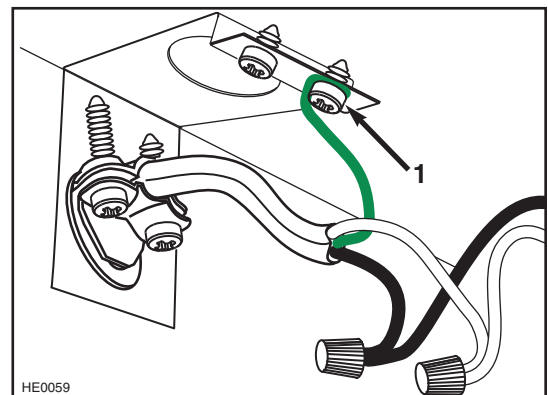
Risque d'électrocution. Le raccordement électrique doit être effectué par du personnel qualifié conformément aux codes et standards. Avant d'effectuer le branchement, coupez l'alimentation électrique au tableau de distribution principal et verrouillez-le pour éviter une mise en marche accidentelle.

Connecter les fils à la hotte en utilisant les connecteurs fournis.

Connecter le NOIR au NOIR, le BLANC au BLANC et le VERT ou FIL DÉNUDÉ à la vis VERTE de mise à la terre (1).

⚠ AVERTISSEMENT

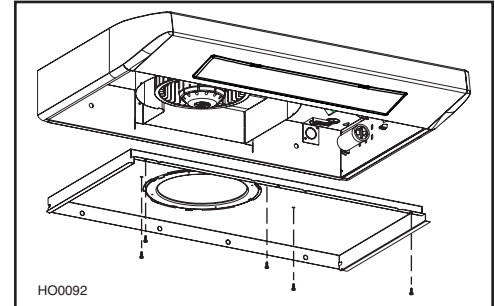
Ne pas oublier de connecter la mise à la terre!



8. RÉINSTALLATION DU PANNEAU INFÉRIEUR

Réinstaller le panneau inférieur et le fixer à la hotte à l'aide de la vis retirée précédemment à l'étape 4 plus quatre autres provenant du sac de pièces. Voir ci-contre.

Puis, réinstaller les filtres.



9. LAMPES FLUORESCENTES

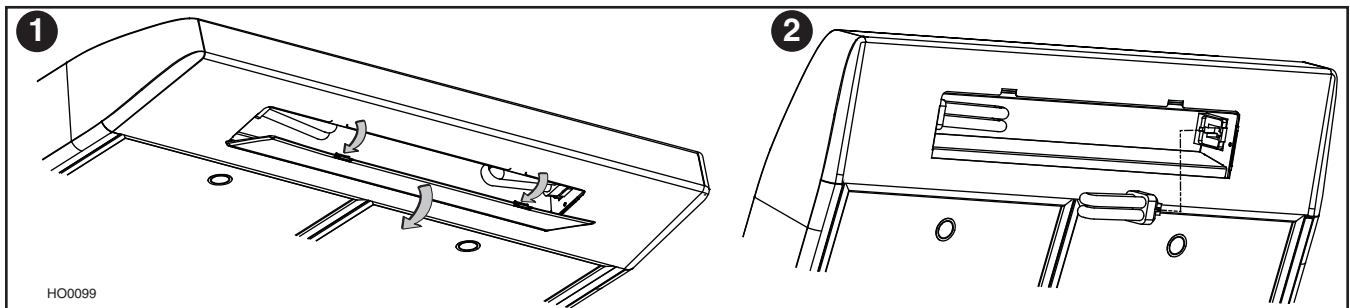
⚠ AVERTISSEMENT

Cette hotte a des lampes fluorescentes qui contiennent du mercure. Se défaire de ces lampes de façon appropriée, selon les lois et règlements locaux.

Cette hotte utilise des ampoules fluorescentes compactes de 120 V, 13 W, PLC13, 2700 K avec culot G24q-1 (incluses).

NOTE : La hotte est livrée avec ses 2 lampes fluorescentes emballées derrière son diffuseur lumière.

1. Pour accéder aux lampes fluorescentes, retirer le diffuseur lumière en poussant sur les languettes et en tirant vers le bas, tel qu'il est illustré.
2. Pour installer les lampes fluorescentes, insérer leurs 4 broches dans leur trous correspondants dans leur réceptacle. Remettre en place le diffuseur lumière.



⚠ AVERTISSEMENT

Afin de réduire le risque de blessures personnelles, attendre que l'ampoule fluorescente soit refroidie avant de la retirer.

Pour enlever les lampes fluorescentes, retirer le diffuseur lumière et tirer sur les lampes pour les dégager de la hotte.

NOTE : Certaines lampes fluorescentes peuvent produire un éclairage jaunâtre au début de leur utilisation. Cet effet temporaire disparaîtra de lui-même avec le temps.

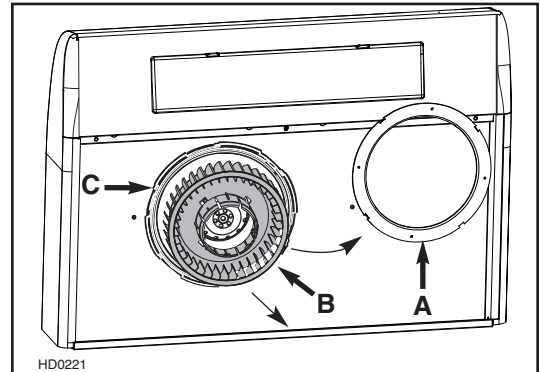
10. ENTRETIEN

Les filtres, le panneau inférieur, l'anneau d'admission (A) et la roue (B) de ventilateur doivent être nettoyés régulièrement. Utiliser de l'eau chaude additionnée de détergent. Les filtres, anneau et roue de ventilateur sont lavables au lave-vaisselle.

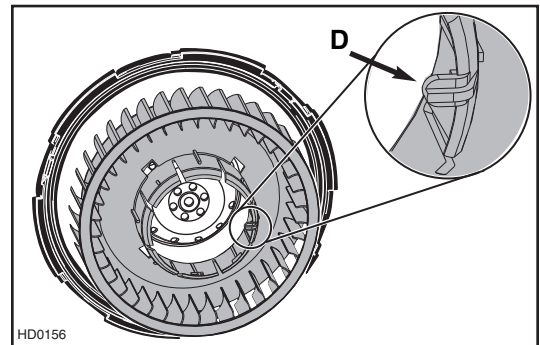
Nettoyer les filtres métalliques au lave-vaisselle avec un détergent sans phosphate. L'utilisation d'un détergent avec phosphates, de même que la teneur en minéraux de l'eau, peut occasionner une décoloration des filtres, ce qui n'affectera en rien leur capacité de filtration. Cette décoloration n'est pas couverte par la garantie.

Pour retirer la roue du ventilateur, enlever d'abord l'anneau d'admission, puis dégager la roue du ventilateur en tirant doucement vers le bas.

NOTE : Ne pas tenter de retirer la pièce noire (C) fixée au panneau inférieur.



Lors de la réinsertion de la roue sur son ventilateur, s'assurer que son ergot (D) entre dans l'un des trous du moteur.



NETTOYAGE DE L'ACIER INOXYDABLE :

À faire :

- Laver régulièrement les surfaces à l'aide d'un chiffon ou linge propre imbibé d'eau tiède et de savon doux ou détergent à vaisselle.
- Toujours nettoyer dans le sens des lignes de grain (sens du polissage).
- Toujours bien rincer à l'eau propre (2 ou 3 fois) après le nettoyage et essuyer complètement.
- Un nettoyant domestique conçu spécialement pour l'acier inoxydable peut aussi être utilisé.

À ne pas faire :

- Utiliser une laine d'acier ou d'acier inoxydable ou tout autre grattoir pour enlever la saleté tenace.
- Utiliser une poudre nettoyante abrasive ou rugueuse.
- Laisser la saleté s'accumuler.
- Laisser la poussière de plâtre ou tout autre résidu de construction atteindre la hotte. Couvrir la hotte pour la durée des travaux afin de s'assurer qu'aucune poussière n'atteigne la hotte.

À éviter lors du choix d'un détergent :

- Tous produits nettoyants qui contiennent des **agents de blanchiment**; ils attaqueront l'acier inoxydable.
- Tous produits contenant du **chlorure, fluorure, iode** ou **bromure**; ils détérioreront rapidement les surfaces.
- Tous **produits combustibles** utilisés pour le nettoyage : **acétone, alcool, éther, benzène**, etc.; ils sont hautement explosifs et ne devraient jamais être utilisés près d'une cuisinière.

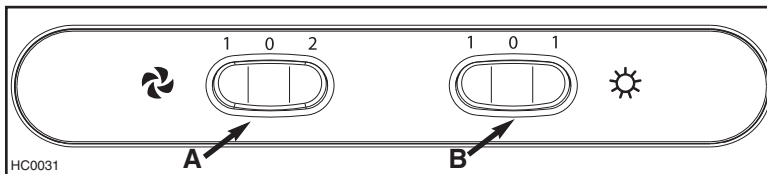
SURFACES PEINTES :

Nettoyer avec de l'eau chaude additionnée de détergent doux seulement. S'il y a une décoloration, utiliser une bonne cire à peinture telle qu'une cire automobile. (NE PAS utiliser de nettoyant abrasif ou de nettoyant à porcelaine.)

11. FONCTIONNEMENT

Toujours mettre en marche la hotte avant de commencer la cuisson afin d'établir une circulation d'air dans la cuisine. Aussi, laisser la hotte fonctionner quelques minutes après l'arrêt de la cuisinière afin de nettoyer l'air.

COMMANDE À INTERRUPTEURS À BASCULE



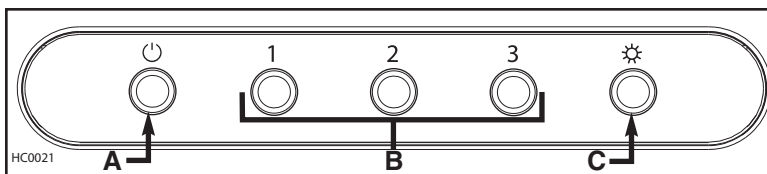
A. INTERRUPTEUR MARCHÉ/ARRÊT ET CONTRÔLE DE LA VITESSE :

Cet interrupteur à bascule à trois positions contrôle la vitesse du ventilateur. Pour obtenir la basse vitesse, appuyer sur son côté gauche (1) et sur son côté droit (2) pour la haute vitesse. Pour arrêter le ventilateur, régler l'interrupteur à bascule en position centrale (0).

B. INTERRUPTEUR MARCHÉ/ARRÊT D'ÉCLAIRAGE :

Cet interrupteur à bascule à trois positions contrôle l'éclairage. Appuyer sur son côté gauche ou droit (1) pour allumer les lumières. Pour éteindre la lumière, régler l'interrupteur à bascule en position centrale (0).

COMMANDE À BOUTONS-POUSOIRS MÉCANIQUES



A. INTERRUPTEUR ARRÊT DU VENTILATEUR :

Appuyer sur cet interrupteur pour faire cesser le fonctionnement du ventilateur.

B. INTERRUPTEURS DE VITESSE DU VENTILATEUR :

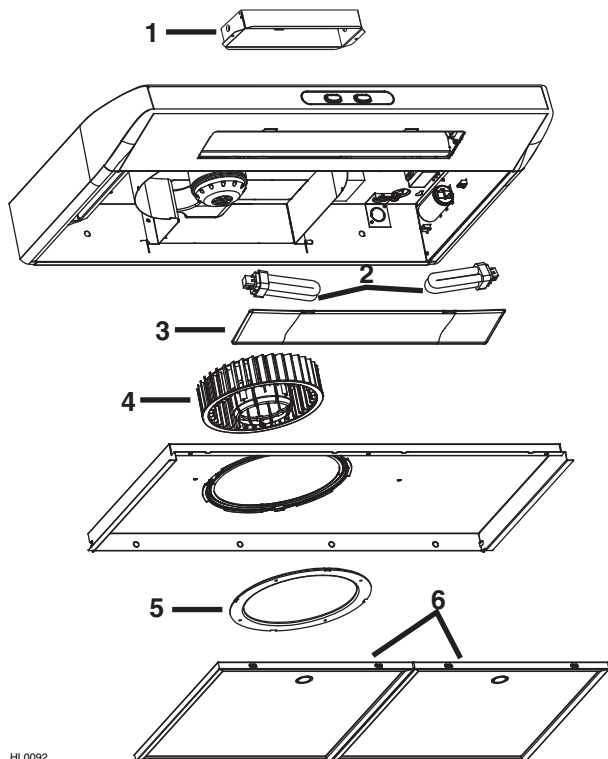
Appuyer sur l'interrupteur de gauche (1) pour obtenir la basse vitesse, sur celui du centre (2) pour la vitesse moyenne, et sur l'interrupteur de droite (3) pour obtenir la vitesse maximale.

C. INTERRUPTEUR D'ÉCLAIRAGE MARCHÉ/ARRÊT :

Appuyer sur cet interrupteur pour allumer les lumières, et appuyer une autre fois pour les éteindre.

12. PIÈCES DE REMPLACEMENT

MODÈLE ESB10

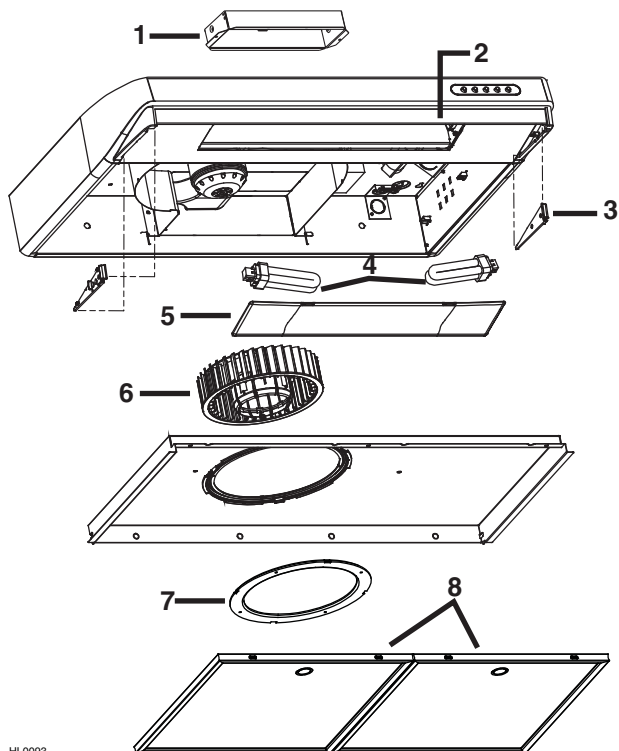


HL0092

N° Réf.	PIÈCE N°	DESCRIPTION	QTÉ
1	13296	ADAPTATEUR/VOLET	1
2	03623	LAMPE FLUORESCENTE	2
3	01752	DIFFUSEUR LUMIÈRE	1
4	01988	ROUE DE VENTILATEUR	1
5	01757	ANNEAU D'ADMISSION	1
6	14131	FILTRE « MICROMESH » (LA PAIRE)	1
*	SV06727	GUIDE D'INSTALLATION ET D'UTILISATION	1
*	04281	SAC DE PIÈCES : (1) SERRE-FILS, (2) CONNECTEURS DE FILS, (6) VIS N° 6 x 1/2 PO, (5) VIS À DOUBLE FILETS N° 8 x 1/2 PO	1

*Non illustré

MODÈLE ESC270



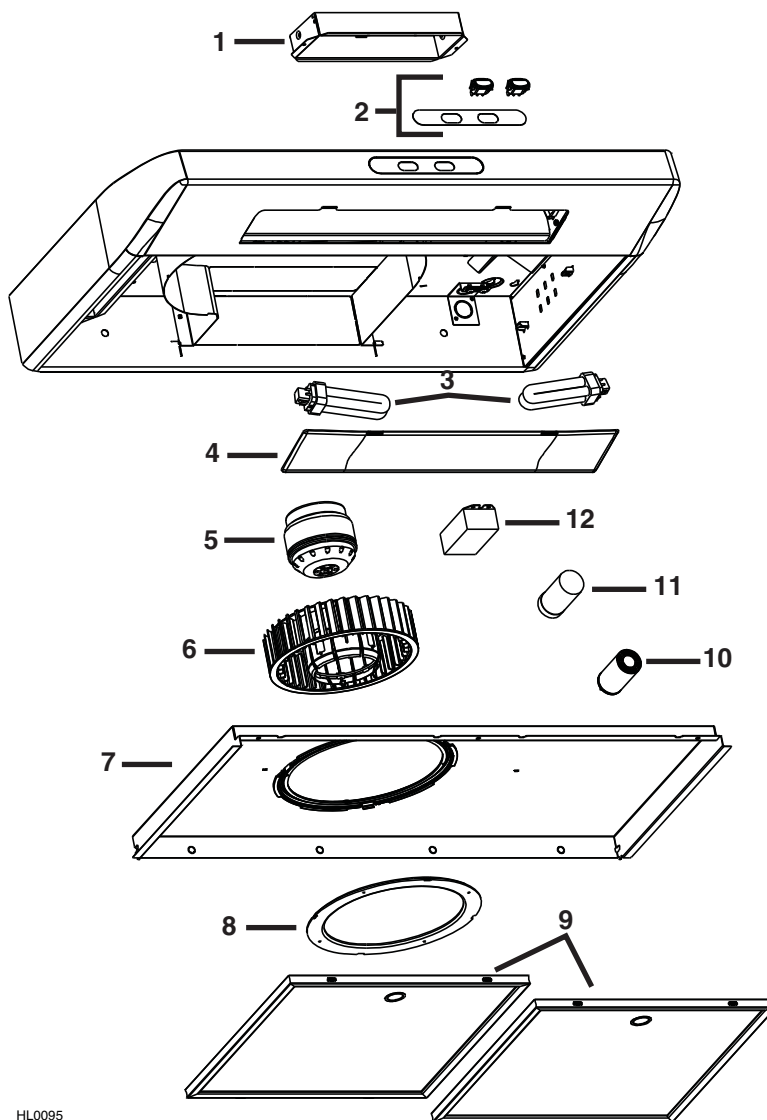
HL0093

N° Réf.	PIÈCE N°	DESCRIPTION	QTÉ
1	13296	ADAPTATEUR/VOLET	1
2	16153	VERRE FUMÉ	1
3	16150	SUPPORT DE VERRE NOIR (LA PAIRE)	1
	16151	SUPPORT DE VERRE BLANC (LA PAIRE)	1
	16152	SUPPORT DE VERRE GRIS (LA PAIRE)	1
4	03623	LAMPE FLUORESCENTE	2
5	01752	DIFFUSEUR LUMIÈRE	1
6	01988	ROUE DE VENTILATEUR	1
7	01757	ANNEAU D'ADMISSION	1
8	14131	FILTRE « MICROMESH » (LA PAIRE)	1
*	SV06727	GUIDE D'INSTALLATION ET D'UTILISATION	1
*	04281	SAC DE PIÈCES : (1) SERRE-FILS, (2) CONNECTEURS DE FILS (6) VIS N° 6 x 1/2 PO, (5) VIS À DOUBLE FILETS N° 8 x 1/2 PO	1

*Non illustré

12. PIÈCES DE REMPLACEMENT

MODÈLE QDE

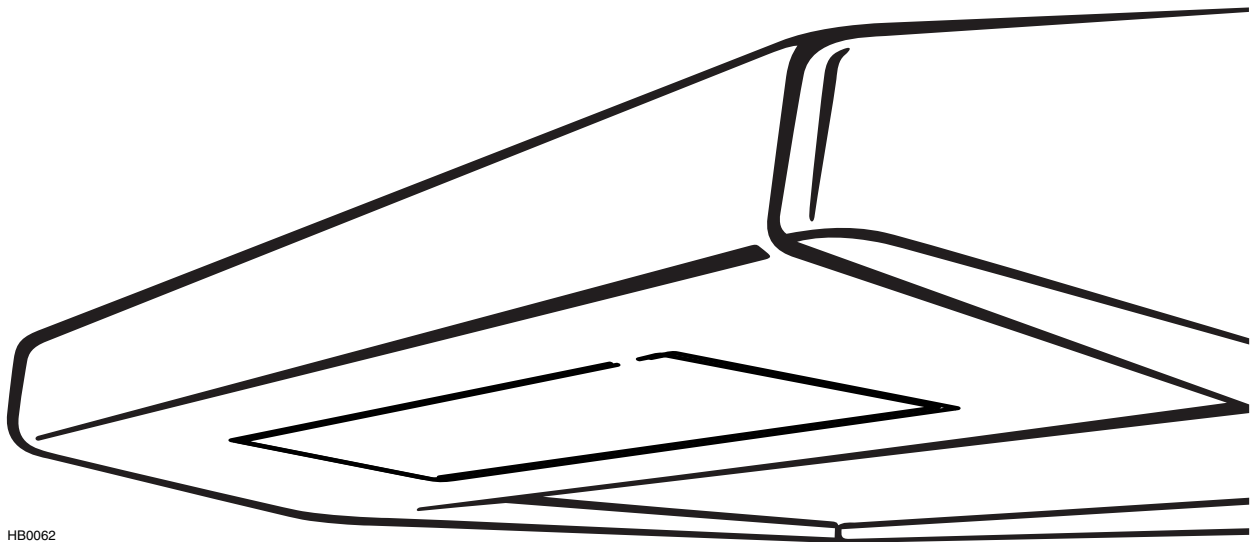


HL0095

N° Réf.	PIÈCE N°.	DESCRIPTION	QTÉ
1	SV13296	ADAPTATEUR/VOLET	1
2	SV15434	INTERRUPTEUR À BASCULE BLANC (PAIRE) + DÉCALQUE BLANC	1
	SV15433	INTERRUPTEUR À BASCULE NOIR (PAIRE) + DÉCALQUE NOIR	1
3	SV03623	LAMPE FLUORESCENTE	2
4	SV01752	DIFFUSEUR LUMIÈRE	1
5	SV01765	MOTEUR	1
6	SV01988	ROUE DE VENTILATEUR	1
7	SV16119	PANNEAU INFÉRIEUR BLANC	1
	SV16117	PANNEAU INFÉRIEUR NOIR	1
8	SV01757	ANNEAU D'ADMISSION	1
9	SV14131	FILTRE « MICROMESH » (LA PAIRE)	1
10	SV02104	CONDENSATEUR SECONDAIRE 7,5 µF	1
11	SV06756	CONDENSATEUR 11,5 µF	1
12	SV03649	HARNAIS DES BALLASTS (RÉCEPTACLE DES LAMPES INCLUS)	1
*	SV06727	GUIDE D'INSTALLATION ET D'UTILISATION	1
*	SV04281	SAC DE PIÈCES : (1) SERRE-FILS, (2) CONNECTEURS DE FILS (6) VIS N° 6 X 1/2 PO, (5) VIS À DOUBLE FILETS N° 8 X 1/2 PO	1

*Non illustré

CAMPANAS DE COCINA INSTRUCCIONES DE INSTALACIÓN - UTILIZACIÓN Y CUIDADO



HB0062

MODELOS ESB10, QDE Y ESC270

⚠️ EXCLUSIVAMENTE PARA COCINAS DOMÉSTICAS ⚠️

LEA Y CONSERVE ESTAS INSTRUCCIONES

INSTALADOR: ENTREGUE ESTE MANUAL AL PROPIETARIO DE LA CASA.
PROPIETARIO: INFORMACIÓN SOBRE LIMPEIZA Y FUNCIONAMIENTO
EN LAS PÁGINAS 33 y 34.

REGISTRE SU PRODUCTO EN LÍNEA EN: www.venmar.ca



SV06727 rev. D

ADVERTENCIA

PARA REDUCIR EL RIESGO DE INCENDIO, DESCARGA ELÉCTRICA O LESIÓN CORPORAL, RESPETE LAS SIGUIENTES INDICACIONES:

1. Utilice este aparato únicamente de la forma en que indica el fabricante. Si tiene cualquier pregunta, póngase en contacto con el fabricante en la dirección o el teléfono que aparecen en la garantía.
2. Antes de reparar o limpiar el aparato, apáguelo en el tablero de servicio y bloquee los medios de desconexión para impedir que la corriente se conecte accidentalmente. Cuando no se pueda bloquear los medios de desconexión, coloque un dispositivo de advertencia visible (como una etiqueta) en el tablero de servicio.
3. La instalación y la conexión eléctrica deben ser realizadas por personal competente de acuerdo con todos los códigos y normas aplicables, incluso los relativos a la construcción ignífuga.
4. Para lograr una combustión adecuada y una extracción correcta de los gases a través de la salida del humo (chimenea) del equipo quemador de combustible - evitando así el contratiempo - es necesario disponer de aire suficiente. Siga las directrices del fabricante del equipo de material térmico y las normas de seguridad, como las que publica la NFPA (asociación de protección contra los incendios) y la ASHRAE (sociedad estadounidenses de técnicos de calefacción, refrigeración y aire acondicionado), así como los códigos de los organismos responsables locales.
5. Al cortar o perforar la pared o el techo, procure no dañar el cableado eléctrico ni otras instalaciones ocultas.
6. Los ventiladores entubados deben tener salida siempre al exterior.
7. No utilice este aparato con ningún otro dispositivo de control de velocidad con semiconductores.
8. Para reducir el riesgo de incendio, utilice sólo tuberías metálicas.
9. Este aparato debe conectarse a tierra.
10. Cuando una reglamentación local esta en vigor y conlleva exigencias de instalación y/o de certificación más estrictas, susodichas exigencias prevalecen sobre aquellas en este documento y el instalador acepta someterse a estas exigencias a sus gastos.

PARA REDUCIR EL RIESGO DE QUE ARDA LA GRASA EN LA PARTE SUPERIOR DE LA COCINA:

- a) No deje nunca recipientes de cocina a fuego vivo sin vigilancia. Los desbordamientos producen humo y derrames grasiosos que pueden inflamarse. Caliente el aceite despacio, a fuego lento o mediano.
- b) Ponga en marcha siempre la campana extractora al cocinar a temperaturas elevadas o al cocinar alimentos flamados (crepas Suzette, cerezas jubilee, res con pimienta flambeada).
- c) Limpie los ventiladores con frecuencia. No deje que la grasa se acumule en el ventilador ni en los filtros.
- d) Utilice cacerolas de tamaño apropiado. Emplee siempre un recipiente adecuado para el tamaño de la placa.

ADVERTENCIA

PARA REDUCIR EL RIESGO DE LESIONES CORPORALES EN EL CASO DE QUE ARDA LA GRASA EN LA PARTE SUPERIOR DE LA COCINA, SIGA ESTAS INDICACIONES*:

1. SOFOQUE LAS LLAMAS con un tapa ajustada, una hoja o bandeja metálica para hornear galletas, y apague luego el quemador. **TENGA CUIDADO PARA EVITAR QUEMADURAS. SI LAS LLAMAS NO SE APAGAN INMEDIATAMENTE, EVACUE EL LUGAR Y LLAME A LOS BOMBEROS.**
2. **NO SUJETE NUNCA UN RECIPIENTE EN LLAMAS** ya que podría quemarse.
3. **NO USE AGUA**, ni trapos húmedos. Podría causar una violenta explosión de vapor.
4. Utilice un extintor **SOLAMENTE** si:
 - A. Tiene un extintor de tipo ABC y sabe usarlo.
 - B. El incendio es pequeño y está circunscrito a la zona empezó.
 - C. Ya ha llamado a los bomberos.
 - D. Puede tratar de apagar el fuego si dispone siempre de una salida detrás de usted.

*Fuente: "Kitchen Fire Safety" Tips publicado por la NFPA.

PRECAUCIÓN

1. Sólo para una utilización en el interior.
2. Sólo para ventilación general. No debe utilizarse para extraer materiales o vapores peligrosos o explosivos.
3. Para evitar daños en el cojinete del motor y que la hélice haga ruido o se desequilibre, mantenga la unidad de alimentación lejos de los vaporizadores de pirca, del polvo de la construcción, etc.
4. El motor de la campana tiene un dispositivo contra sobrecargas térmicas que apaga el motor automáticamente si éste se sobrecalienta. El motor volverá a ponerse en marcha cuando se enfríe. Si el motor sigue apagándose y encendiéndose, haga examinar la campana.
5. La distancia mínima entre la campana y la superficie de la cocina no debe ser inferior a 20 pulgadas, si se trata de una cocina eléctrica, o de 24 pulgadas, si se trata de una cocina a gas. Se aconseja encarecidamente una distancia máxima de 30 pulgadas para que la campana capte mejor las impurezas que se desprenden al cocinar.
6. Dado el peso y el tamaño de esta campana, se aconseja que la instalen dos personas.
7. Para reducir los riesgos de incendio y extraer el aire debidamente, el aire debe evacuarse fuera. No extraiga el aire a espacios situados entre las paredes, en el techo o en el desván, falso techo o garaje.
8. Dada la gran capacidad extractora de esta campana, debería asegurarse de que en la casa entra suficiente aire para sustituir el aire extraído. Abra para ello una ventana en la cocina o cerca de ella.
9. Utilícelo sólo con un conjunto autorizado de conexión con cordón.
10. Para mayor información y conocer los requisitos, lea la etiqueta con las especificaciones en el producto.
11. Todas las campanas de demostración (con un n.º de modelo terminace con D) no son se vende a no ser que se haga retirar el cable eléctrico original.

À CERCA DE ESTE MANUAL

Tenga en cuenta que este manual se emplean los siguientes s mbolos cuando se quiere insistir en una informaci n determinada:

ADVERTENCIA

Se refiere a una instrucci n que, de no seguirse, podr a causar heridas corporales graves e incluso la muerte.

PRECAUCI N

Se refiere a una instrucci n que, de no seguirse, podr a da nar gravemente el aparato o sus piezas.

NOTA: Da informaci n complementaria para realizar una instrucci n.

NOTA: Dado el n mero de modelos de los que trata este manual, las ilustraciones don de car cter general. Algunos detalles de su campana pueden ser ligeramente distintos de los que se muestran aqu .

HERRAMIENTS NECESARIAS PARA INSTALAR LA CAMPANA

- Destornillador Phillips n.  2 o Robertson n.  1 y n.  2
- Un par de alicates de punta (para abrir el orificio ciego de descarga horizontal o vertical)
- Un martillo y un destornillador de punta plana (para abrir el orificio ciego el ctrico)
- Revestimiento de chapa met lica (sol  para instalaciones con conductos, para ajustarlos)
- Un par de alicates (sol  para instalaciones con conductos, para ajustarlos)
- Tijeras (para cortar la cinta para conductos)
- Bol grafo
- Un par de alicates paraquitar la funda de los hilos el ctricos

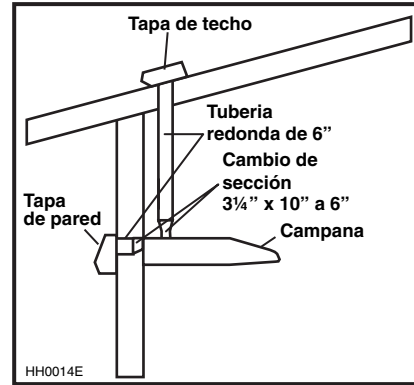
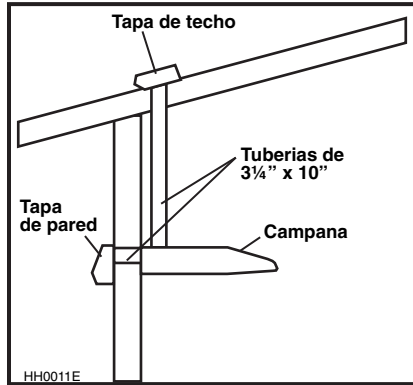
 NDICE

1. INSTALACI�N DE LOS TUBOS	28
2. DIMENSIONES DE LA INSTALACI�N	28
3. PREPARACI�N DE LA INSTALACI�N	29
4. PREPARACI�N DE LA CAMPANA	29-30
5. INSTALACI�N DEL ADAPTADOR/DISPOSITIVO DE CIERRE	30-31
6. INSTALACI�N DE LA CAMPANA	31
7. CONEXI�N DEL CABLEADO	31
8. REINSTALACI�N DEL TABLERO INFERIOR	32
9. BOMBILLAS HAL�GENAS	32
10. LIMPIEZA	33
11. FUNCIONAMIENTO	34
12. PIEZAS	35-36

1. INSTALACIÓN DE LOS TUBOS

Planifique el lugar y la forma en que se instalarán los tubos.

Instale tubos, codo(s) y tapa de techo o de pared de tamaños adecuados, según el ventilador que vaya a usar. Si utiliza tubos circulares de 6 pulgadas (150 mm), debería usar un cambio de sección. Utilice cinta adhesiva metálica para tubos de 2 pulgadas (50 mm) para obturar las juntas de los tubos.

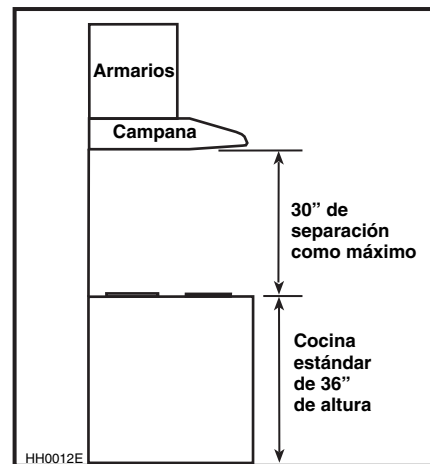
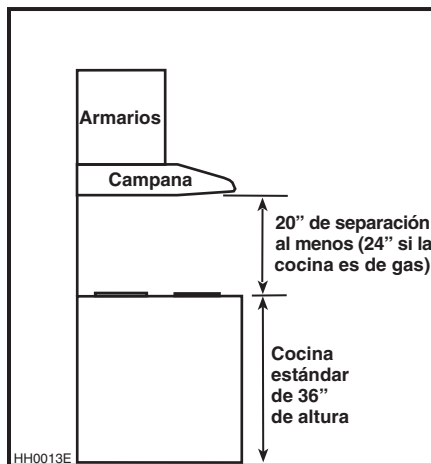


2. DIMENSIONES DE LA INSTALACIÓN

Más adelante se muestran las dimensiones para las instalaciones habituales.

Aconsejamos que la campana se instale a una distancia mínima de 20 pulgadas (508 mm) de la superficie de una cocina eléctrica y de 24 pulgadas (610 mm) de una cocina a gas.

Para lograr un rendimiento óptimo, la campana no debería instalarse a más de 30 pulgadas (762 mm) de la superficie de la cocina.



3. PREPARACIÓN DE LA INSTALACIÓN

Compruebe que el aparato viene con los siguientes:

- Campana
- Filtros (2)
- Conjunto del adaptador/dispositivo de cierre de 3¼" x 10" (ubicado en la campana, bajo el tablero inferior)
- Bombillas fluorescentes (120 V, 13 W, PLC13, 2700 K con base G24q-1) (lámparas fluorescentes embaladas detrás el difusor de luz)
- Bolsa con piezas (ubicado en la campana, bajo el tablero inferior), que comprende:
 - (1) abrazadera de cable, (5) tornillos de doble rosca n.º 8 x 1/2", (2) conectores de hilos y (6) tornillos n.º 6 x 1/2"

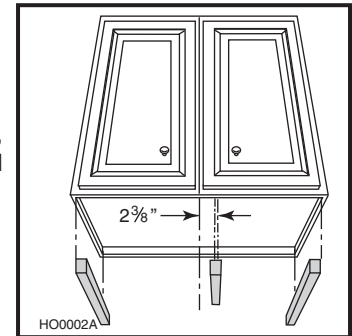
Pieza vendida aparte:

- Cambio de sección de 3¼" x 10" a 6" redondo (opcional, sólo para instalaciones con tubos redondos de 6 pulgadas)

PRECAUCIÓN

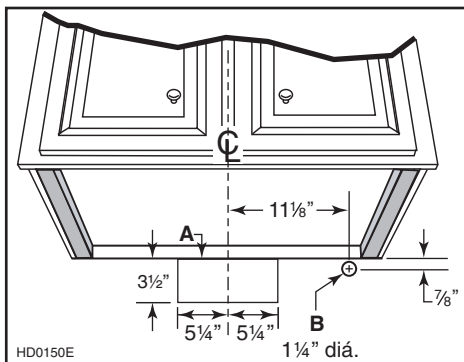
Se aconseja llevar anteojos y guantes de seguridad al instalar, reparar o limpiar la campana.

NOTA: Si la parte inferior del armario está empotrada, instale tiras de madera (no incluidas), como se ve en las ilustraciones, para poder instalar debidamente la campana en el armario. Las tiras de maderas deben ser del mismo grosor del encastre.



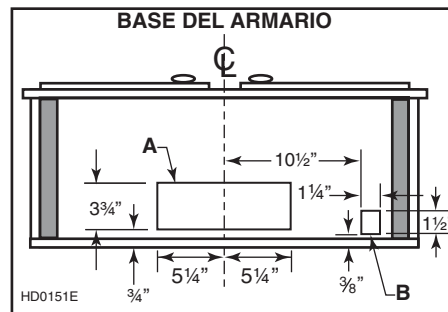
Corte el armario e en la pared las aperturas para el tubo (A) y para el cable de alimentación (B), con arreglo a la dirección de la descarga elegida. Vea las siguientes ilustraciones.

DESCARGA HORIZONTAL:



DESCARGA VERTICAL:

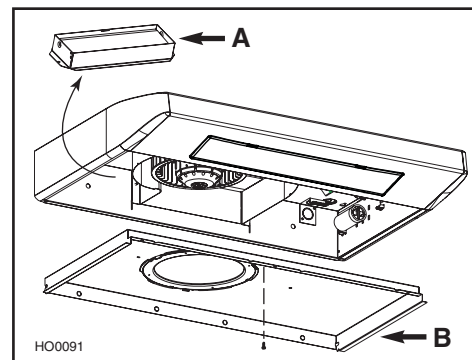
BASE DEL ARMARIO



4. PREPARACIÓN DE LA CAMPANA

Retire ambos filtros de la campana. Desmonte el adaptador/dispositivo de cierre, (A) de la campana.

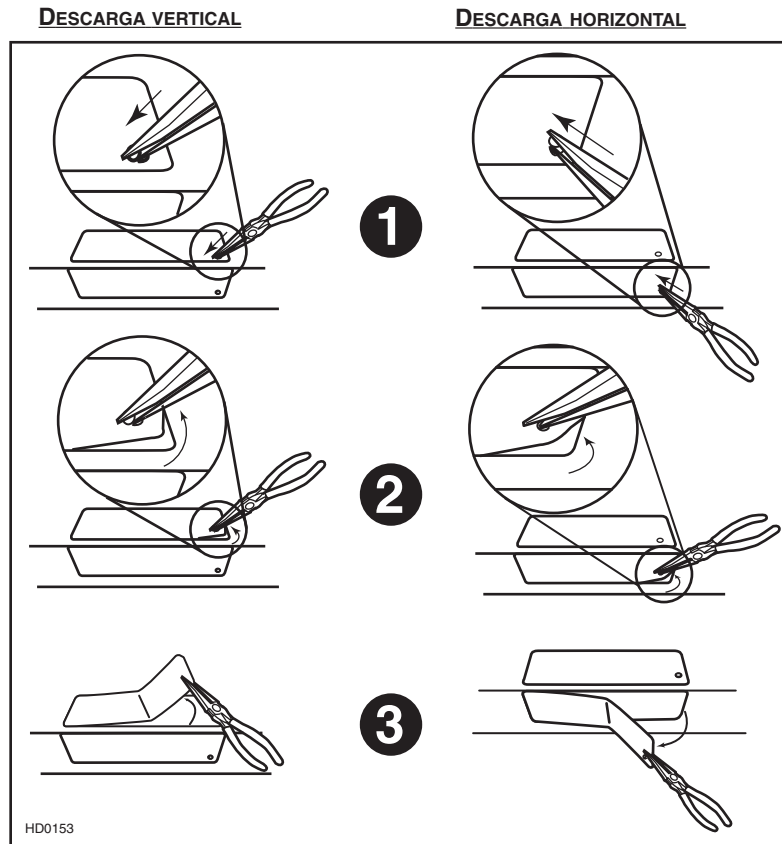
NOTA: El adaptador/dispositivo de cierre estars dentro de la campana. Se debe retirar el tablero inferior (B) para tener acceso al adaptador/dispositivo de cierre. Consulte la siguiente ilustracione.



4. PREPARACIÓN DE LA CAMPANA (CONTINUACIÓN)

Perfore el orificio ciego eléctrico apropiado.

Emplee unos alicates de punta larga para retirar la pieza desmontable de la apertura elegida (vertical en la parte superior u horizontal en la parte trasera de la campana). Consulte las siguientes ilustraciones.

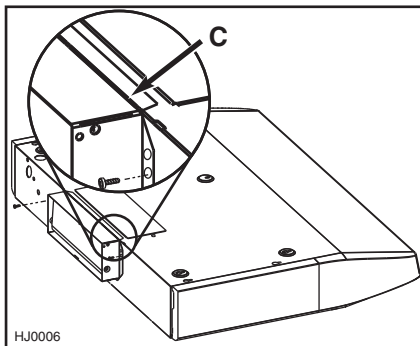


5. INSTALACIÓN DEL ADAPTADOR/DISPOSITIVO DE CIERRE

NOTA: Si la campana que está instalando sustituye a otra, tenga en cuenta que la ubicación de la salida del aire puede variar de un fabricante a otro.

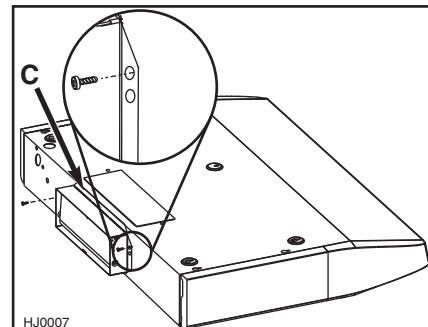
DESCARGA HORIZONTAL, NUEVA INSTALACIÓN

Despliegue el reborde desplegable (C) del adaptador. Este reborde debe estar a 90° de los otros rebordes. Fijar el adaptador en la parte trasera de la campana con los tornillos en el agujero inferior de los 2 rebordes. Véase abajo.



DESCARGA HORIZONTAL, SUSTITUCIÓN DE UNA CAMPANA

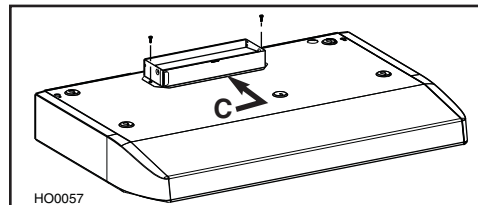
Puede ser que es necesario de ajustar el emplazamiento del adaptador a la apertura existente para la descarga horizontal. Para realizar el ajuste, dejar el reborde desplegable (C) tal cual. Fijar el adaptador en la parte trasera de la campana con los tornillos en el agujero superior de los 2 rebordes. Véase abajo.



5. INSTALACIÓN DEL ADAPTADOR/DISPOSITIVO DE CIERRE (CONTINUACIÓN)

DESCARGA VERTICAL

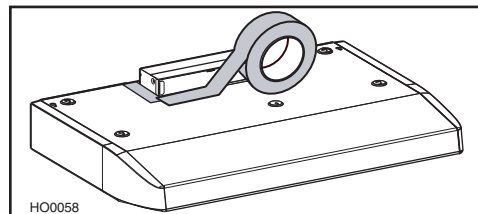
Para una instalación con **descarga vertical solamente**, dejar el reborde desplegable (C) tal cual. Colocar el adaptador de tal forma que este reborde es hacia frente a la campana. Véase al lado.



TODAS LAS INSTALACIONES

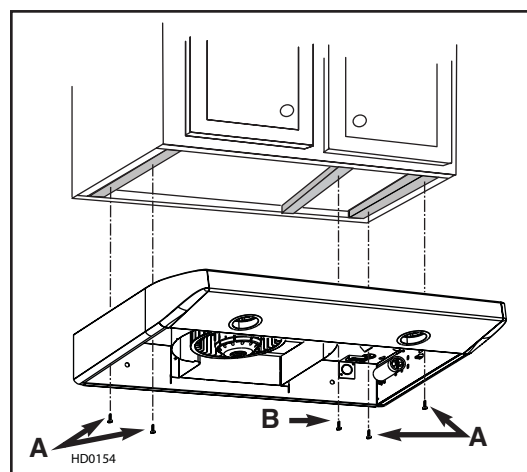
Utilice (2) tornillos de 1/2", para fijar el adaptador/dispositivo de cierre en la parte superior o en la parte trasera de la campana. Pegue el adaptador/dispositivo de cierre a la campana con cinta adhesiva metálica para tubos.

NOTA: Para lograr mejor ventilación, si utiliza un tubo redondo, su diámetro ha de ser de 6" o más. Utilice un cambio de sección redondo de 3/4" x 10" a 6". El tubo de la pared debe estar bien preparado para recibir el adaptador. Antes de efectuar la instalación, compruebe que el adaptador cabe fácilmente en el tubo.



6. INSTALACIÓN DE LA CAMPANA

Lleve el cable de alimentación hasta el lugar de la instalación. Coloque la campana en su lugar. Marque con un lápiz el lugar del tornillos (parte más pequeña de los agujeros **en relieve**). Saque la campana e instale los (4) tornillos de 1/2" de doble rosca en los emplazamientos laterales (A), dejando un espacio de 1/8". Coloque la abrazadera de cable e introduzca el cable en la campana y apriete la abrazadera para sujetar el cable. Coloque la campana debajo del armario, en su lugar correspondiente. Compruebe que el conjunto del adaptador/dispositivo de cierre se introduce en el tubo y que el dispositivo se abre sin dificultad. Sujete la campana apretando los tornillos completamente. Instale el último tornillo de 1/2" de doble rosca (B) en el último agujero en relieve.



7. CONEXIÓN DEL CABLEADO

⚠ ADVERTENCIA

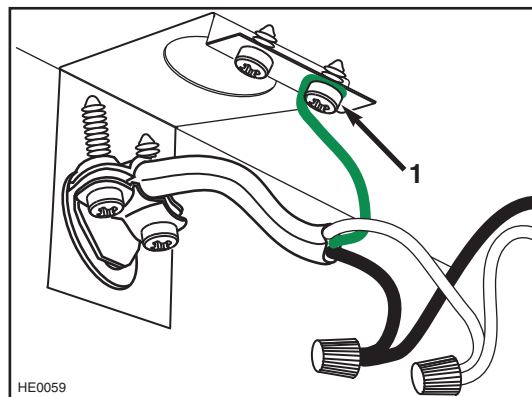
Riesgo de choque eléctrico. La conexión eléctrica debe hacerla personal competente con arreglo a los códigos y normas en vigor. Antes de conectar los hilos, corte la alimentación en el tablero de servicio y bloquee los medios de desconexión para impedir que la corriente se conecte accidentalmente.

Conecte el cable con los conectores de hilos provistos.

Conecte los hilos de la siguiente manera: NEGRO con NEGRO, BLANCO con BLANCO y VERDE o DESNUDO con el tornillo de tierra VERDE (1).

⚠ ADVERTENCIA

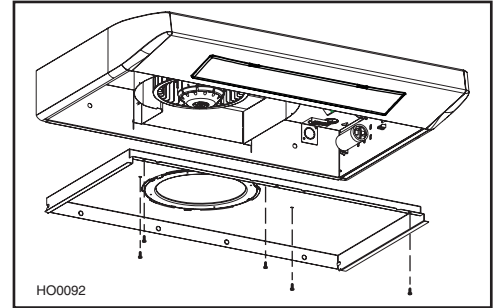
¡No olvide conectar la toma a tierra!



8. REINSTALACIÓN DEL TABLERO INFERIOR

Vuelva a instalar el tablero inferior utilizando el tornillo que quitó en la etapa 4 y 4 otros tornillos de la bolsa con piezas, como se ve en la ilustración al lado

A continuación, instale los filtros.



9. LÁMPARAS FLUORESCENTES

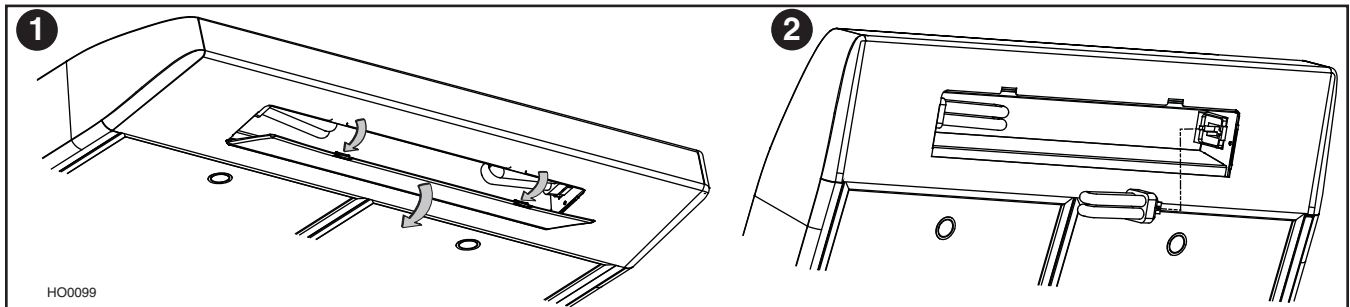
⚠ ADVERTENCIA

Este campana incluye lámparas fluorescentes que contiene mercurio. Deseche estas lámparas de manera apropiada, según los requisitos y las leyes locales.

Esta campana debe utilizar bombillas fluorescentes de tipo (120 V, 13 W, PLC13, 2700 K con base G24q-1 (incluidas).

NOTA: La campana es suministrada con su ambas lámparas fluorescentes embaladas detrás de su difusor de luz.

1. Para tene acceso a las lámparas fluorescentes, retire el difusor de luz apretando en los cierres y tirando hacia abajo.
2. Para instalar las lámparas fluorescentes, introduzca sus 4 clavijas en sus orificios de sus receptáculos. Vuelva instalar el difusor.



⚠ ADVERTENCIA

Para prevenir el riesgo de lesiones corporales, deje que las lámparas fluorescentes se enfríen antes de quitarlas.

Para quitar las lámparas fluorescentes, sacar las lámparas fuera de sus receptáculos.

NOTA: Puede ser que algunas lamparas fluorescentes producen una luz amarillenta al principio de su utilización. Este efecto temporal desaparezca por sí mismo después un cierto tiempo.

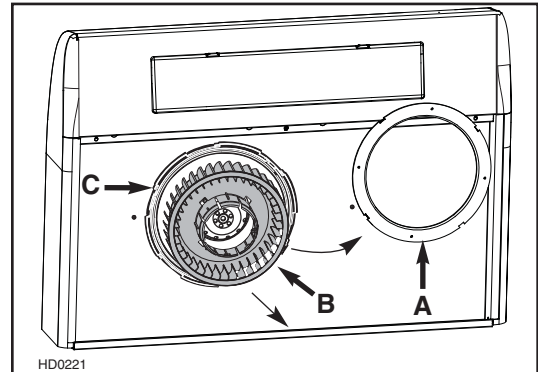
10. LIMPIEZA

Los filtros de grasa, el tablero inferior, el anillo de admisión (A) y la rueda del ventilador (B) deben limpiarse con frecuencia. Utilice una disolución de detergente con agua templada. Los filtros, el anillo de admisión y la rueda del ventilador se pueden lavar en el lavavajillas.

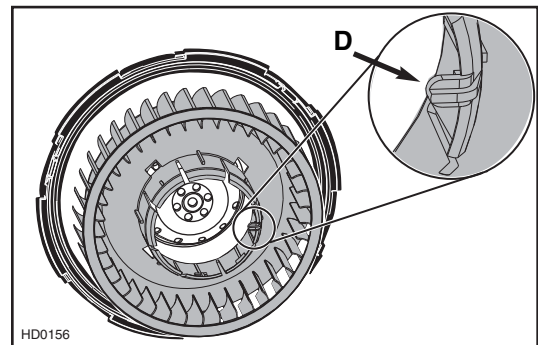
Limpe los filtros completamente metálicos en el lavaplatos con un detergente sin fosfatos. La decoloración del filtro puede ocurrir si se utilizan detergentes con fosfato o como resultado de la condición del agua local, pero esto no afectará el rendimiento del filtro. Esta decoloración no está cubierta por la garantía.

Para quitar la rueda del ventilador, quite primero el anillo de admisión y, a continuación, quite la rueda tirando de ella suavemente.

NOTA: No intente quitar la pieza negra (C) sujeta al tablero inferior.



Cuando vuelva a instalar la rueda del ventilador, compruebe que la pequeña pestaña (D) se queda dentro de un orificio del motor.



LIMPIEZA DEL ACERO INOXIDABLE:

Debe hacerse:

- Limpiar regularmente las superficies con un trapo limpio humedecido con una mezcla de agua templada y jabón suave o detergente para la vajilla.
- Limpiar siempre en la dirección de las líneas originales de pulido del acero.
- Enjuagar siempre con agua limpia (2 o 3 veces) después de limpiar. Seque completamente.
- También puede utilizar un limpiador doméstico especial para acero inoxidable.

No debe hacerse:

- Utilizar un estropajo de acero o acero inoxidable u otro tipo de rasquetas para quitar la suciedad resistente.
- Utilizar limpiadores fuertes o abrasivos.
- Dejar que la suciedad se acumule.
- Dejar que el polvo del mortero u otros residuos de la construcción manchen la campana. Si efectúa obras de construcción o renovación, cubra la campana para que no se manche la superficie de acero inoxidable.

Al escoger un detergente, evite:

- Los limpiadores que contienen **blanqueador (lejía)**; ya que dañarán el acero inoxidable.
- Los productos que contengan **cloruro, fluoruro, yoduro y bromuro**, ya que deterioran las superficies rápidamente.
- Todos los **productos combustible** utilizados para la limpieza: acetona, alcohol, éter, bencol, etc., son extremadamente explosivos y no deben ser utilizados cerca de una cocina.

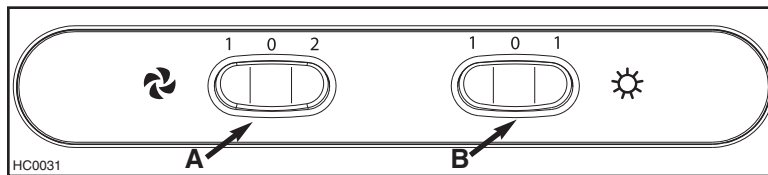
ABACADO ESMALTADO:

Limpe únicamente con agua templada y un detergente suave. Si la superficie se decolora, emplee una buena cera para esmates, como la cera automóviles. NO emplee limpiadores abrasivos fuertes ni limpiadores para porcelana.

11. FUNCIONAMIENTO

Ponga en marcha siempre la campana antes de empezar a cocinar para generar una corriente de aire en la cocina. Deje en marcha el ventilador unos minutos para renovar el aire una vez que haya apagado la cocina.

INTERRUPTORES OSCILANTES



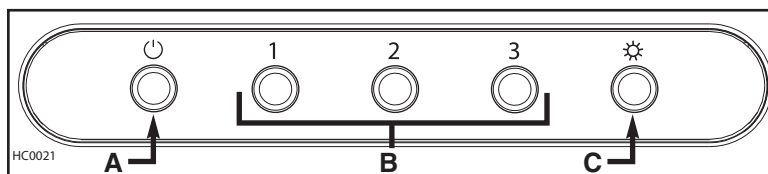
A. INTERRUPTOR DE ENCENDIDO Y APAGADO DEL VENTILADOR Y DE CONTROL DE VELOCIDAD:

Este interruptor oscilante de 3 posiciones permite controlar la velocidad del ventilador. Si se aprieta en el lado izquierdo (1), el ventilador funcionará a velocidad lenta, mientras que si se aprieta en el lado derecho (2), lo hará a alta velocidad. Para detener el funcionamiento del ventilador, ponga el interruptor en la posición central (0).

B. INTERRUPTOR DE ENCENDIDO Y APAGADO DE LA LUZ:

Este interruptor oscilante de 3 posiciones permite controlar la intensidad de la luz. Según sus necesidades. Apriete el lado izquierdo (1), o el lado derecho (1) para obtener una iluminación completa. Para apagar las luces, poga el interruptor en la posición central (0).

INTERRUPTORES MECÁNICOS



A. INTERRUPTOR DE APAGADO DEL VENTILADOR:

Apriete este interruptor para detener el funcionamiento del ventilador.

B. INTERRUPTORES DE VELOCIDAD DEL VENTILADOR:

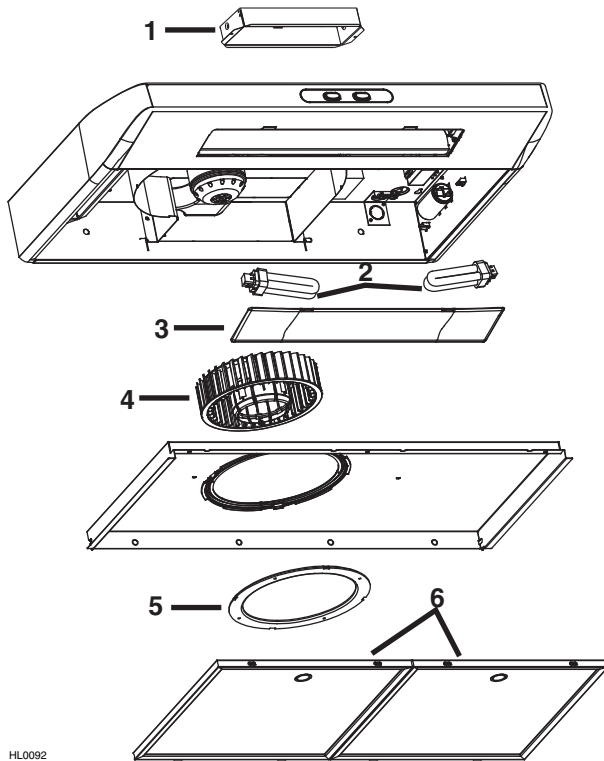
Apriete en el interruptor de la izquierda (1) para poner en marcha el ventilador a baja velocidad, en el medio (2) para ponerlo en marcha a velocidad media y en el de la derecha (3) para ponerlo en marcha a alta velocidad.

C. INTERRUPTOR DE ENCENDIDO Y APAGADO DE LA LUZ:

Apriete en este interruptor para encender y apagar las luces.

12. PIEZAS

MODELO ESB10

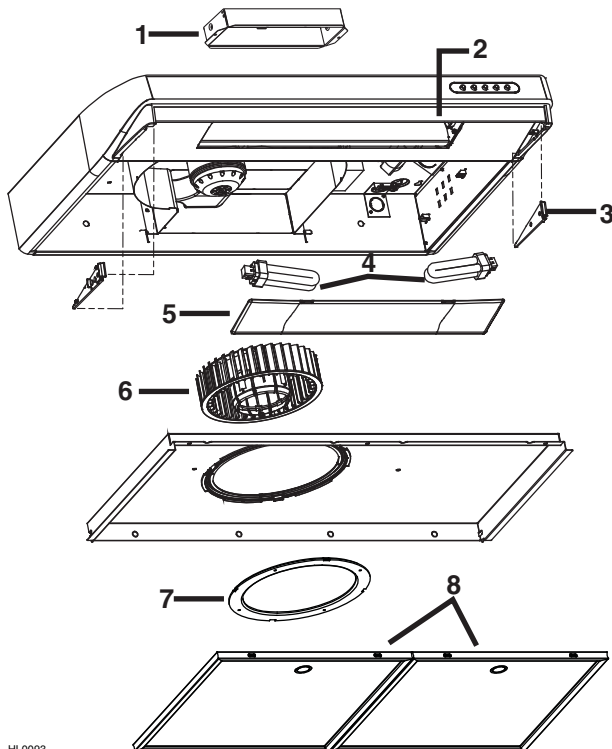


HL0092

N.º	N.º DE PIEZA	DESCRIPCIÓN	CTD
1	13296	ADAPTADOR/DISPOSITIVO DE CIERRE	1
2	03623	LÁMPARAS FLUORESCENTE	2
3	01752	DIFUSOR DE LUZ	1
4	01988	RUEDA DEL VENTILADOR	1
5	01757	ANILLO DE ENTRADA	1
6	14131	FILTROS DE MICROTAMIZ (PAR)	1
*	SV06727	MANUAL DE INSTALACIÓN Y DEL USUARIO	1
*	04281	BOLSA CON PIEZAS METÁLICAS: (1) ABRAZADERA DE CABLE, (2) CONECTADORES DE HILOS, (6) TORNILLOS DE N.º 6 X 1/2" (5) TORNILLOS DE ROSCA DOBLE N.º 8 DE 1/2"	1

* Este componente no se muestra

MODELO ESC270



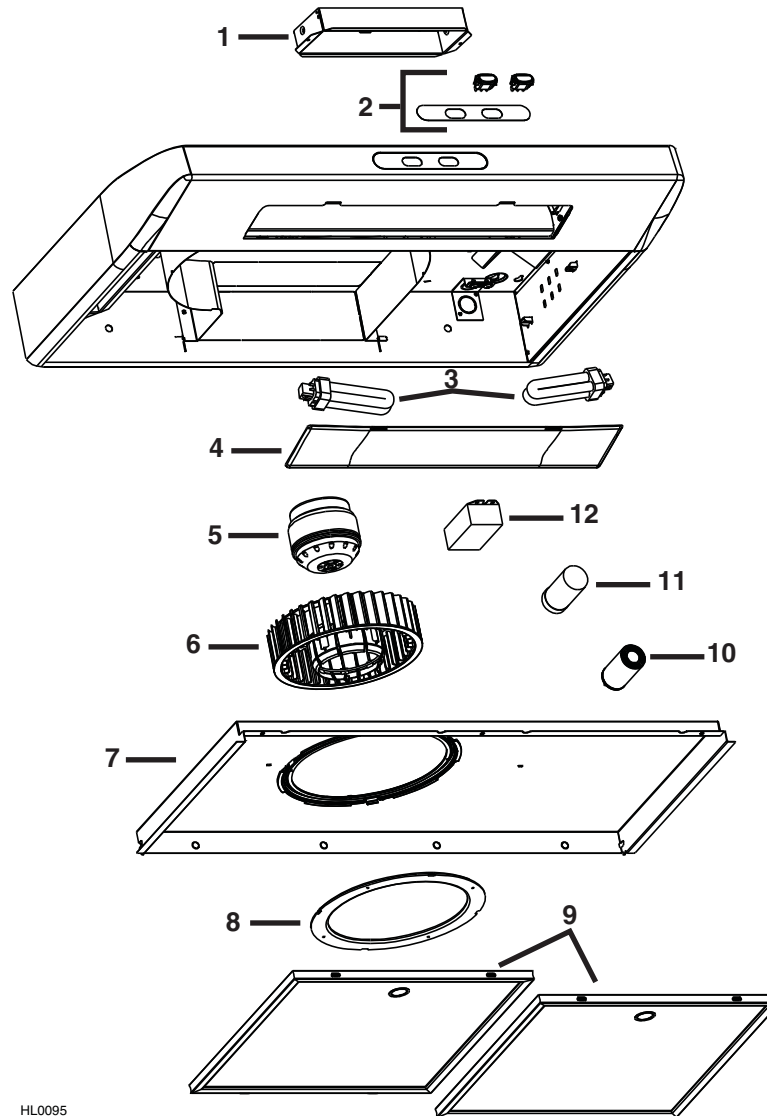
HL0093

N.º	N.º DE PIEZA	DESCRIPCIÓN	CTD
1	13296	ADAPTADOR/DISPOSITIVO DE CIERRE	1
2	16153	CRISTAL HUMADO	1
3	16150	SOPORTE DE CRISTAL NEGRO (PAR)	1
	16151	SOPORTE DE CRISTAL BLANCO (PAR)	1
	16152	SOPORTE DE CRISTAL GRIS (PAR)	1
4	03623	LÁMPARAS FLUORESCENTE	2
5	01752	DIFUSOR DE LUZ	1
6	01988	RUEDA DEL VENTILADOR	1
7	01757	ANILLO DE ENTRADA	1
8	14131	FILTROS DE MICROTAMIZ (PAR)	1
*	SV06727	MANUAL DE INSTALACIÓN Y DEL USUARIO	1
*	04281	BOLSA CON PIEZAS METÁLICAS: (1) ABRAZADERA DE CABLE, (2) CONECTADORES DE HILO, (6) TORNILLOS DE N.º 6 DE 1/2", (5) TORNILLOS DE ROSCA DOBLE N.º 8 DE 1/2"	1

* Este componente no se muestra

12. PIEZAS

MODELO QDE



HL0095

N.º	N.º DE PIEZA	DESCRIPCIÓN	CTD
1	SV13296	ADAPTADOR/DISPOSITIVO DE CIERRE	1
2	SV15434	INTERRUPTOR BASCULANTE BLANCO (PAR) + CALCO BLANCO	1
	SV15433	INTERRUPTOR BASCULANTE NEGRO (PAR) + CALCO NEGRO	1
3	SV03623	LÁMPARAS FLUORESCENTE	2
4	SV01752	DIFUSOR DE LUZ	1
5	SV01765	MOTOR	1
6	SV01988	RUEDA DEL VENTILADOR	1
7	SV16119	TABLERO INFERIOR BLANCO	1
	SV16117	TABLERO INFERIOR NEGRO	1
8	SV01757	ANILLO DE ENTRADA	1
9	SV14131	FILTROS DE MICROTAMIZ (PAR)	1
10	SV02104	CONDENSADOR SECUNDARIO 7.5µF	1
11	SV06756	CONDENSADOR 11.5µF	1
12	SV03649	HAZ DE HILOS DE LOS BALASTOS (RECPTACULOS DE LÁMPARAS INCLUIDOS)	1
*	SV06727	MANUAL DE INSTALACIÓN Y DEL USUARIO	1
*	SV04281	BOLSA CON PIEZAS METÁLICAS: (1) ABRAZADERA DE CABLE, (2) CONECTADORES DE HILO, (6) TORNILLOS DE N.º 6 DE 1/2" (5) TORNILLOS DE ROSCA DOBLE N.º 8 DE 1/2"	1

* Este componente no se muestra



7 72371 09911 1