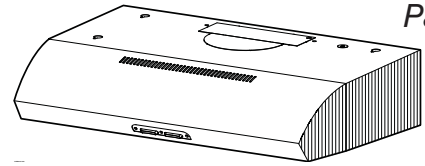


EVOLUTION™ 1 QP130 Series Range Hoods

Page 1



READ AND SAVE THESE INSTRUCTIONS

FOR DOMESTIC COOKING ONLY

WARNING

TO REDUCE THE RISK OF FIRE, ELECTRIC SHOCK, OR INJURY TO PERSONS, OBSERVE THE FOLLOWING:

1. Use this unit only in the manner intended by the manufacturer. If you have questions, contact the manufacturer at the address or telephone number listed in the warranty.
2. Before servicing or cleaning unit, switch power off at service panel and lock the service disconnecting means to prevent power from being switched on accidentally. When the service disconnecting means cannot be locked, securely fasten a prominent warning device, such as a tag, to the service panel.
3. Installation work and electrical wiring (including switch location) must be done by a qualified person(s) in accordance with all applicable codes and standards, including fire-rated construction.
4. Provide sufficient air for proper combustion and exhausting of gases through the flue (chimney) of fuel burning equipment to prevent backdrafting. Follow the combustion equipment standards such as those published by the National Fire Protection Association (NFPA), the American Society for Heating, Refrigeration and Air Conditioning Engineers (ASHRAE), and local codes.
5. This product may have sharp edges. Be careful to avoid cuts and abrasions during installation and cleaning.
6. When cutting or drilling into wall or ceiling, do not damage electrical wiring and other hidden utilities.
7. Ducted fans must always be vented to the outdoors.
8. Use only metal ductwork.
9. Do not use this fan with any solid-state speed control device.
10. As an alternative, this product may be installed with the UL-approved cord kit designated for the product, following instructions packed with the cord kit.
11. This unit must be grounded.

TO REDUCE THE RISK OF A RANGE TOP GREASE FIRE:

1. Never leave surface units unattended at high settings. Boilovers cause smoking and greasy spillovers that may ignite. Heat oils slowly on low or medium settings.
2. Always turn hood ON when cooking at high heat or when cooking flaming foods (i.e. Crepes Suzette, Cherries Jubilee, Peppercorn Beef Flambé).
3. Clean ventilating fans frequently. Grease should not be allowed to accumulate on fan or filter.
4. Use proper pan size. Always use cookware appropriate for the size of the surface element.

**Installer: Leave this manual with the homeowner.
Homeowner: Cleaning, Maintenance and Operating
instructions on page 2.**

WARNING

TO REDUCE THE RISK OF INJURY TO PERSONS IN THE EVENT OF A RANGE TOP GREASE FIRE, OBSERVE THE FOLLOWING:*

1. SMOTHER FLAMES with a close-fitting lid, cookie sheet, or metal tray, then turn off the burner. BE CAREFUL TO PREVENT BURNS. If the flames do not go out immediately, EVACUATE AND CALL THE FIRE DEPARTMENT.
2. NEVER PICK UP A FLAMING PAN — You may be burned or spread the fire.
3. DO NOT USE WATER, including wet dishcloths or towels - violent steam explosion will result.
4. Use an extinguisher ONLY if:
 - A. You know you have a Class ABC extinguisher and you already know how to operate it.
 - B. The fire is small and contained in the area where it started.
 - C. The fire department is being called.
 - D. You can fight the fire with your back to an exit.

* Based on "Kitchen Fire Safety Tips" published by NFPA.

CAUTION

1. For indoor use only.
2. For general ventilating use only. Do not use to exhaust hazardous or explosive materials and vapors.
3. To avoid motor bearing damage and noisy and/or unbalanced impeller, keep drywall spray, construction dust, etc., off power unit.
4. Do not use over cooking equipment greater than 60,000 BTU/hr. as the blower motor will shut down intermittantly.
5. Your hood motor has a thermal overload which will automatically shut off the motor if it becomes overheated. The motor will restart when it cools down. If the motor continues to shut off and restart, have the hood serviced.
6. The top of the hood MUST NOT BE LESS than 24" and at a maximum of 30" above cooktop for best capture of cooking impurities.
7. This hood is not intended to be used as a shelf.
8. Please read specification label on product for further information and requirements.

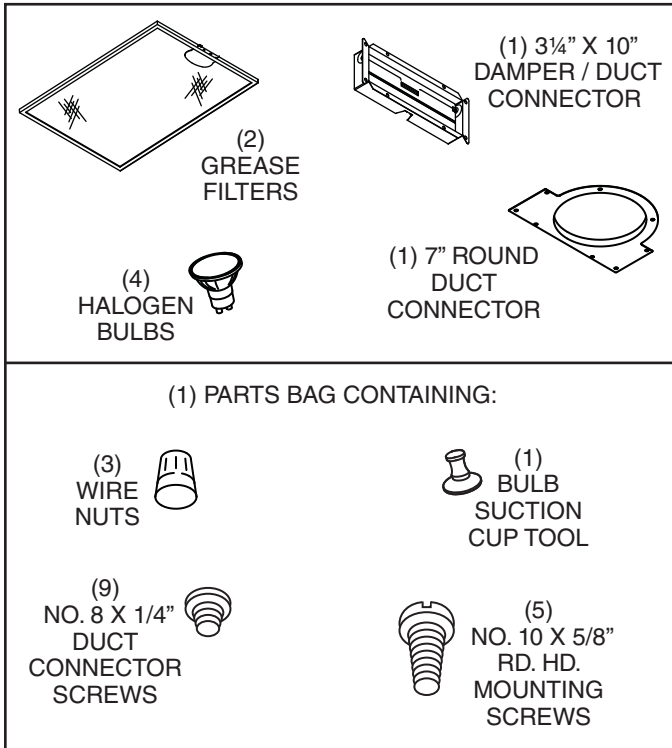
NOTE If hood is to be installed non-ducted:

Purchase a set of (2) non-ducted filters from your local distributor or retailer and attach them to the aluminum mesh filters.

Register your product online at: www.broan.ca/register

CONTENTS

INCLUDED WITH THE HOOD:



CLEANING & MAINTENANCE

For performance, appearance, and health reasons, clean filter, fan and grease-laden surfaces. Use **only** a clean cloth and mild detergent solution on stainless and painted surfaces.

Clean all-metal filters using a non-phosphate detergent. Discoloration of the filter may occur if using phosphate detergents, or as a result of local water conditions - but this will not affect filter performance. This discoloration is not covered by the warranty.

Clean the non-duct recirculating filter surfaces frequently with a damp cloth and a mild detergent. **DO NOT** immerse filters in water or put in dishwasher. The special "Clean Sense" feature indicates when the filter is to be replaced. The dotted lines on the indicator strip will change to solid wide lines when it is time to change the filter. The "Clean Sense" feature works best when facing toward the cooking surface. Change the non-duct recirculating filters every 6 months. For replacement non-duct recirculating filters - purchase S99010353 or Model BPPF30.

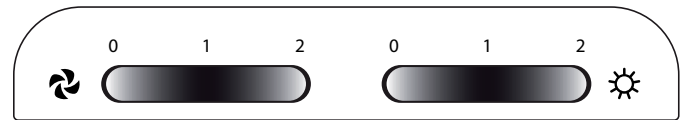
The motor is permanently lubricated and never needs oiling. If the motor bearings make excessive or unusual noise, replace the motor with the exact service motor. The impeller should also be replaced.

Use 120 V, 35 W, shielded halogen bulbs - MR16 with GU10 base.

OPERATION

Always turn the hood ON before cooking in order to establish an air flow in the kitchen. After turning off the range, let the hood run for a few minutes to clear the air.

Operate the hood as follows:



BLOWER SWITCH

This 3-position rocker switch turns blower ON and OFF and controls blower speed.

Left rocker position (0) turns blower OFF.

Center rocker position (1) turns blower ON to low speed.

Right rocker position (2) turns blower ON to high speed.

LIGHT SWITCH

This 3-position rocker switch turns lights ON and OFF and controls their intensity.

Left rocker position (0) turns lights OFF.

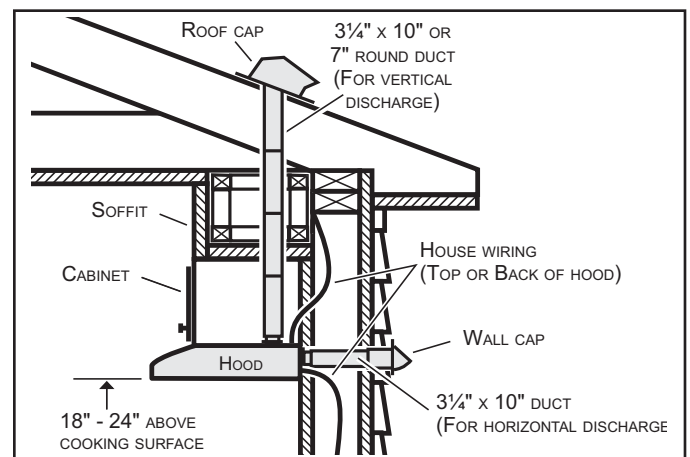
Center rocker position (1) turns lights ON to low intensity.

Right rocker position (2) turns lights ON to high intensity.

NOTE:

This hood utilizes an offset blower design to achieve greater performance and lower sound levels. As a result, you may notice that cooking impurities are more attracted to one side or appear to be pulled-in faster than they appear on the opposite side. This is completely normal. The hood has been designed and tested to provide good capture of cooking impurities and odors under all normal cooking conditions regardless of the cooking location on the cooktop. Please note that cooking on the rear burners will always result in the best capture results, regardless of the hood design.

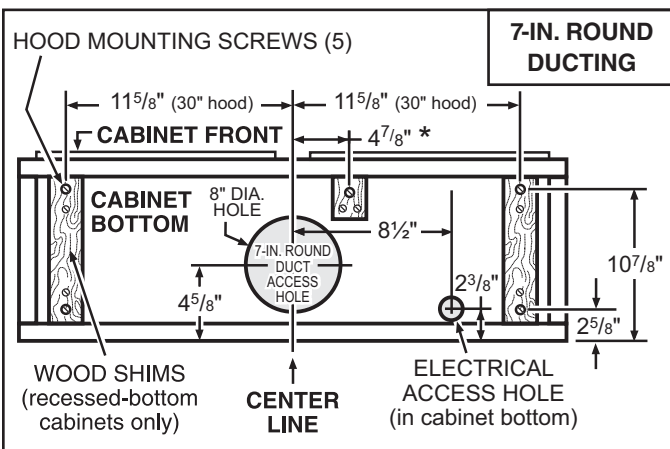
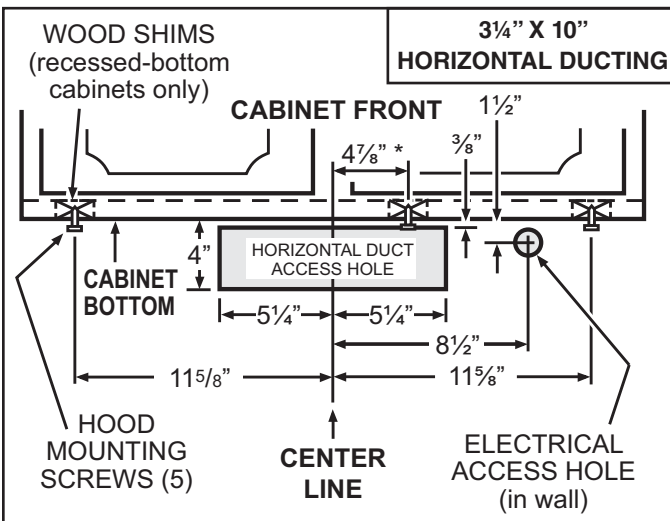
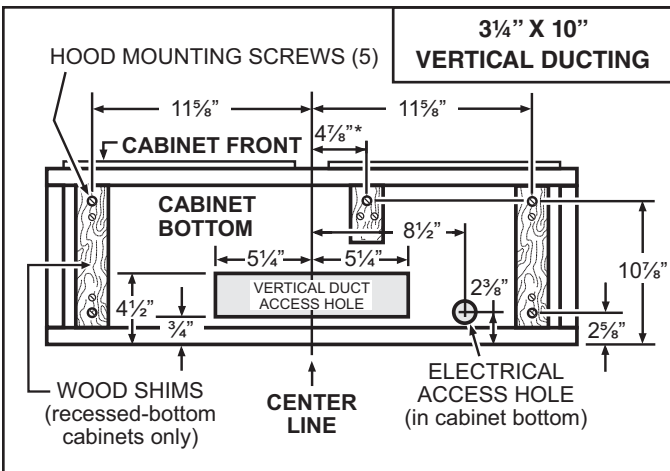
PREPARE HOOD LOCATION



- Determine whether hood will discharge vertically (3 1/4" x 10" or 7" Round), or horizontally (3 1/4" x 10" only). For vertical or horizontal discharge, run ductwork between the hood location and a roof cap or wall cap. For best results, use a minimum number of transitions and elbows.

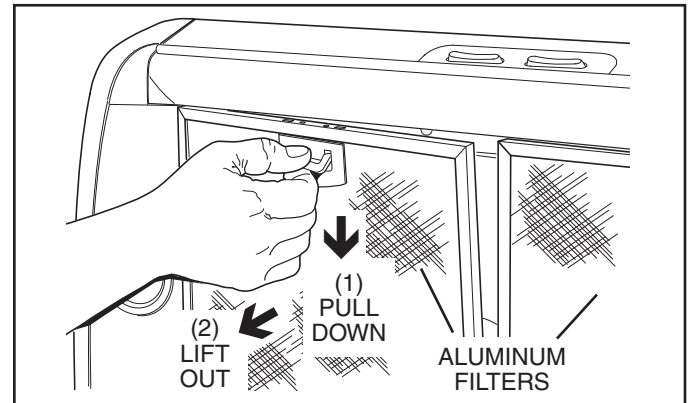
2 Use the proper diagram below, for placement of ductwork and electrical cutout in cabinet or wall. For a non-ducted installation, DO NOT cut a duct access hole.

* Note the extra wood shim and mounting screw near the cabinet front, 4-7/8" to the right of the cabinet center line.

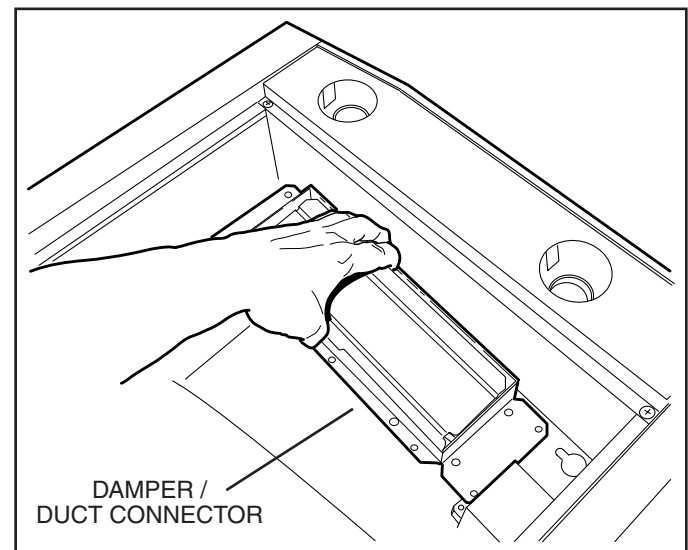


PREPARE THE HOOD

- 3** Remove parts bag from inside the foam packaging end cap.
- 4** Remove all protective polyfilm from the hood (stainless steel hoods only).

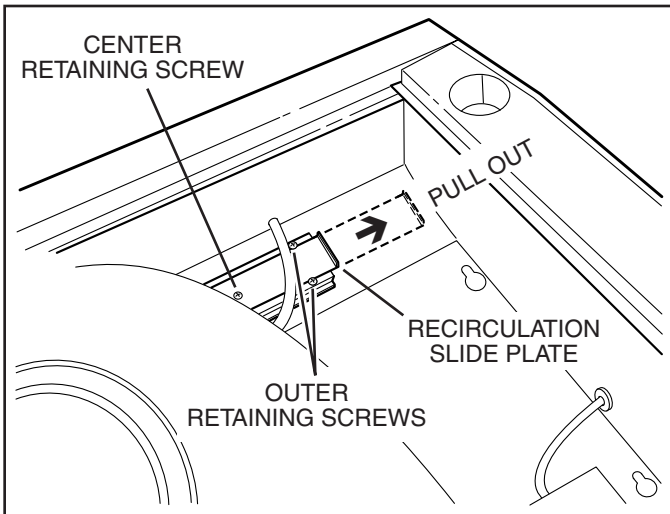


- 5** Remove the **Aluminum Filters** from the hood.



- 6** Remove 2 screws holding **Damper / Duct Connector** to hood. Remove damper/duct connector from inside the hood.

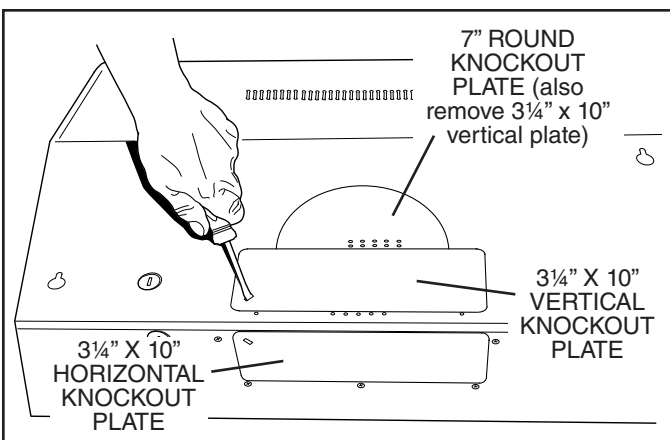
FOR DUCTED INSTALLATIONS - Skip to Step 9.



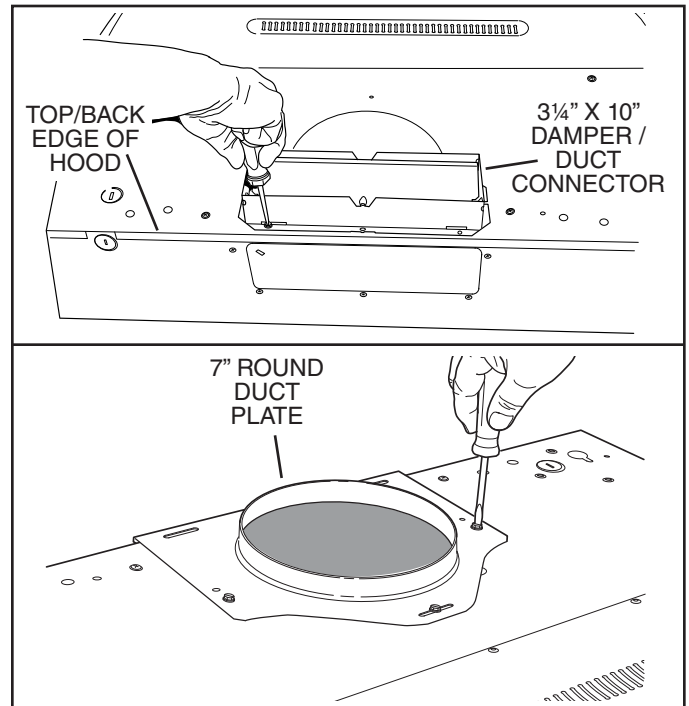
7 NON-DUCTED INSTALLATION ONLY:
Remove **Center Retaining Screw** and loosen **Outer Retaining Screws** holding **Recirculation Slide Plate** in place. Pull out slide plate and replace and tighten retaining screws to hold slide plate in new (non-ducted) position.

8 NON-DUCTED INSTALLATION ONLY:
Purchase a set of (2) non-ducted filters from your local distributor or retailer. Attach the non-ducted filters to the aluminum mesh filters following instructions packed with the non-ducted filters.

FOR NON-DUCTED INSTALLATIONS - Skip to "INSTALL THE HOOD"



9 DUCTED INSTALLATION ONLY:
Remove 3/4" x 10" vertical, 3/4" x 10" horizontal, or 7-inch round **knockout plate(s)** as appropriate for your ducting method.



10 DUCTED INSTALLATION ONLY:
Attach **3/4" x 10" Damper/Duct Connector** (if using 3/4" x 10" duct) or **7" Round Duct Plate** (if using 7-inch round duct) over the knockout opening.

Note:

To accommodate off-center ductwork, the 3/4" x 10" damper/duct connector can be installed up to 1/2" on either side of the hood center and the 7" round duct plate can be installed up to 1/2" on either side of the hood center.

Trim the flange on the duct connector or duct plate if it interferes with the electrical cable clamp.

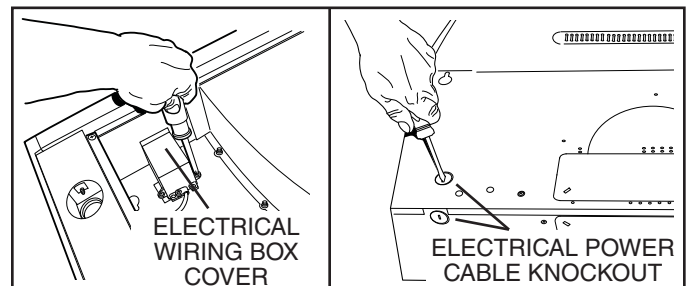
Install the 3/4" x 10" Damper/Duct Connector with the **Damper Flap Pivot** nearest the **Top/Back Edge of Hood**.

INSTALL THE HOOD

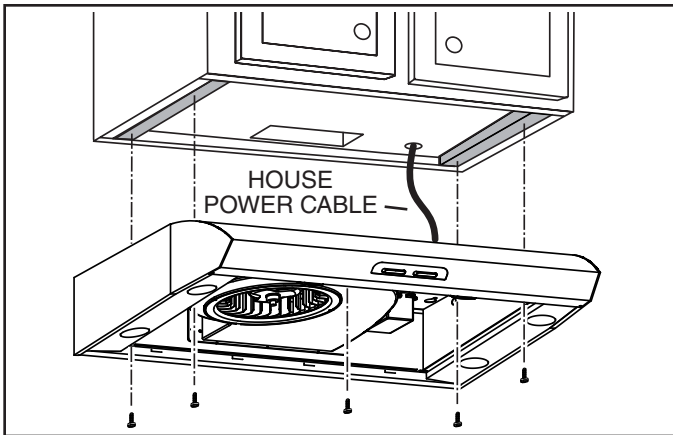


WARNING

To reduce the risk of electrical shock, switch power off at service panel. Lock or tag service panel to prevent power from being switched on accidentally.

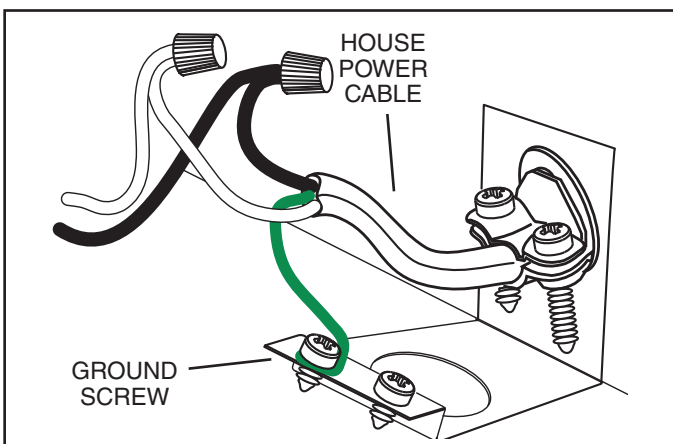


11 Remove **Electrical Wiring Box Cover** from inside of hood and appropriate **Electrical Power Cable Knockout** from top or back of hood.



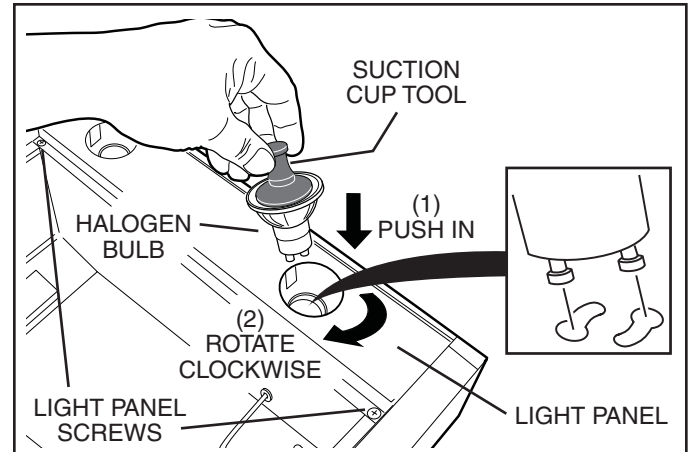
- 12** Run **House Power Cable** between service panel and hood location. Attach power cable to hood using appropriate clamp.
- 13** Hang hood from (5) mounting screws driven part-way into cabinet locations (shown in illustrations under "PREPARE HOOD LOCATION"). Mounting screws are included in parts bag. Slide hood back towards wall until mounting screw heads are engaged in narrow end of keyhole slots in top of hood. Tighten screws securely.
- 14** **DUCTED INSTALLATION ONLY:** Connect ductwork to hood and use duct tape to make joints secure and air-tight. Make sure the damper / duct connector enters the ductwork and that the damper opens and closes freely.

CONNECT THE WIRING



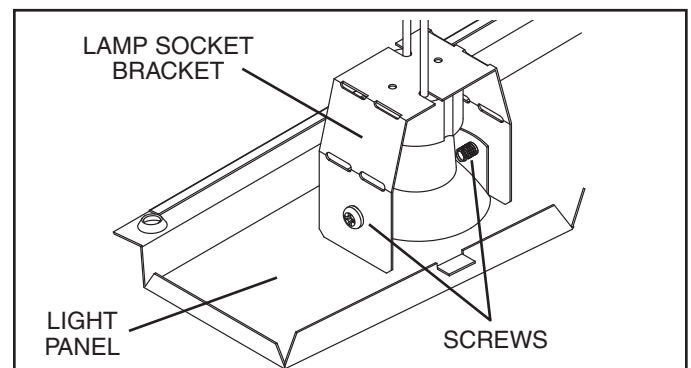
- 15** Connect **House Power Cable** to range hood wiring - BLACK to BLACK, WHITE to WHITE, and GREEN or BARE WIRE to **Ground Screw**. Replace electrical wiring box cover.

INSTALL LIGHT BULBS



CAUTION: Bulbs may be hot. Refer to bulb packaging for further information.

- 16** Install (4) **Halogen Bulbs**. Use 120 V, 35 W, shielded halogen bulbs - MR16 with GU10 base (included).
NOTE: **Suction Cup Tool** (included with hood) can be used to install and remove light bulbs.
Align pins on bulb with large diameter opening on socket, then push bulb in towards hood and rotate clockwise until firmly seated.
The position of the bulb socket (depth) is adjustable and may be necessary when:
a) certain brands of bulbs are difficult to install.
b) the bulb protrudes too far below the light panel.

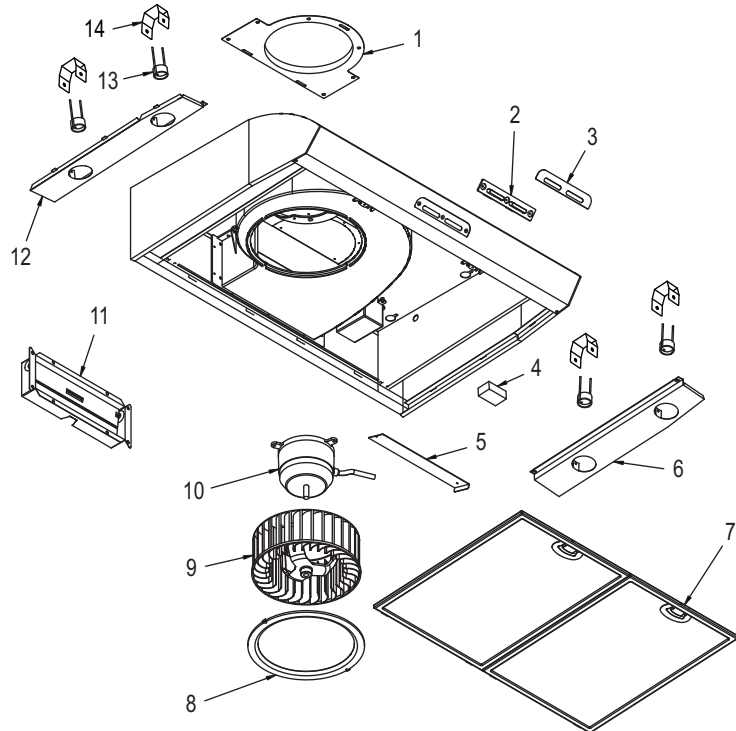


- To change the depth of bulb sockets:
- Remove 2 **Light Panel Screws**. Set screws aside.
 - Loosen 2 **Screws** holding **Lamp Socket Bracket** to **Light Panel**.
 - Adjust socket/bracket to desired depth.
 - Re-tighten screws securely.
 - Re-attach light panel.



- 17** **DUCTED INSTALLATION ONLY:** Re-install aluminum filters removed in Step 5.
NON-DUCTED INSTALLATION ONLY: Install aluminum filters and non-ducted filters - purchased and assembled in Step 8.

SERVICE PARTS



Replacement parts can now be ordered on our website. Please visit us at www.broan.ca

WARRANTY

Two-Year Limited Warranty

Broan-NuTone warrants to the original consumer purchaser of its products that such products will be free from defects in materials or workmanship for a period of two (2) years from the date of original purchase. THERE ARE NO OTHER WARRANTIES, EXPRESS OR IMPLIED, INCLUDING, BUT NOT LIMITED TO, IMPLIED WARRANTIES OF MERCHANTABILITY OR FITNESS FOR A PARTICULAR PURPOSE.

During this two-year period, Broan-NuTone will, at its option, repair or replace, without charge, any product or part which is found to be defective under normal use and service. THIS WARRANTY DOES NOT EXTEND TO FLUORESCENT LAMP STARTERS, TUBES, HALOGEN AND INCANDESCENT BULBS, FUSES, FILTERS, DUCTS, ROOF CAPS, WALL CAPS AND OTHER ACCESSORIES FOR DUCTING. This warranty does not cover (a) normal maintenance and service or (b) any products or parts which have been subject to misuse, negligence, accident, improper maintenance or repair (other than by Broan-NuTone), faulty installation or installation contrary to recommended installation instructions.

The duration of any implied warranty is limited to the two-year period as specified for the express warranty. Some states do not allow limitation on how long an implied warranty lasts, so the above limitation may not apply to you.

BROAN-NUTONE'S OBLIGATION TO REPAIR OR REPLACE, AT BROAN-NUTONE'S OPTION, SHALL BE THE PURCHASER'S SOLE AND EXCLUSIVE REMEDY UNDER THIS WARRANTY. BROAN-NUTONE SHALL NOT BE LIABLE FOR INCIDENTAL, CONSEQUENTIAL OR SPECIAL DAMAGES ARISING OUT OF OR IN CONNECTION WITH PRODUCT USE OR PERFORMANCE. Some states do not allow the exclusion or limitation of incidental or consequential damages, so the above limitation or exclusion may not apply to you. This warranty gives you specific legal rights, and you may also have other rights, which vary from state to state. This warranty supersedes all prior warranties.

To qualify for warranty service, you must (a) notify Broan-NuTone at the address or telephone number below, (b) give the model number and part identification and (c) describe the nature of any defect in the product or part. At the time of requesting warranty service, you must present evidence of the original purchase date.

Venmar Ventilation ULC, 550 Lemire Blvd. Drummondville Québec Canada J2C 7W9 www.broan.ca 877-896-1119

KEY NO.	PART NO.	DESCRIPTION
1	97017727	7" Round Duct Plate (includes mounting hardware)
2	97017729	Switch Assembly White (includes 2 switches, nameplate, mounting hardware)
	97017730	Switch Assembly Black (includes 2 switches, nameplate, mounting hardware)
3	99526653	Nameplate, White
	99526652	Nameplate, Black
4	97017736	Capacitor Kit (includes wire nuts, mounting screw)
5	97017753	Non-duct Slide, White (includes mounting hardware)
	97017821	Non-duct Slide, Black (includes mounting hardware)
6	97017755	Light Panel RH White (includes mounting hardware)
	97017756	Light Panel RH Black (includes mounting hardware)
	97017757	Light Panel RH Stainless (includes mounting hardware)"
7	97017720	Filter Kit for 30" Hood (2 per bag)
8	97017754	Venturi Ring (includes mounting hardware)
9	97017734	Blower Wheel (includes mounting nut)
10	97017732	Motor Kit (includes motor, isolators, mounting hardware)
11	97017728	Damper / Duct Connector (includes mounting hardware)
12	97017758	Light Panel LH White (includes mounting hardware)
	97017759	Light Panel LH Black (includes mounting hardware)
	97017760	Light Panel LH Stainless (includes mounting hardware)
	97017731	Lamp Socket (includes lamp socket, wire nuts, mounting screws)
13	97018233	Lamp Socket Bracket (includes mounting hardware)
14	97018233	Lamp Socket Bracket (includes mounting hardware)
Not Shown	97017735	Parts Bag
Not Shown	99010353	Non-Duct Filter Kit for 30" Hood (2 charcoal filters and 8 filter clips)
Not Shown	99526707	Suction Cup Tool
Not Shown	97018234	Light Diode (includes wire nuts)
Not Shown	99526798	35W Halogen GU10 Bulb

Order replacement parts by PART NO. - not by KEY NO.