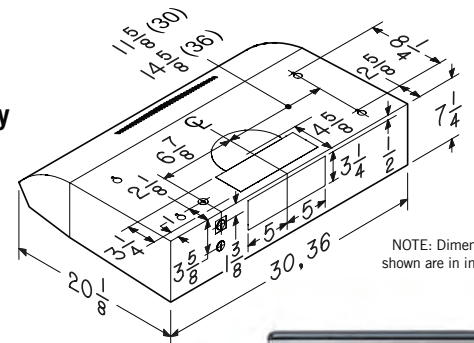




## Broan QP2 and QP3 Series

Meeting customers demands for a contemporary styled range hood that is easy to clean, and brightly lights the cooktop.

- Durable, powder-coated paint or brushed stainless steel
- Large, full filter design, dishwasher-safe for easy cleaning
- Electronic pushbutton speed control with green LED indicators
- Clock/timer and delay-off features (QP3 only)
- Four halogen lights provide bright lighting (bulbs not included)
- Versatile design allows for 3¼" x 10", 7" round, or non-ducted discharges without re-positioning blower
- CleanSense™ charcoal filters change color when replacement is necessary (for non-ducted installations – purchase separately)
- Available in 30" (QP2, QP3) and 36" (QP3) widths in white, black and stainless steel
- Broan Heat Sentry™ detects excessive heat and adjusts blower speed for proper ventilation



NOTE: Dimensions shown are in inches.



### SPECIFICATIONS

WIDTH	STAINLESS STEEL	WHITE	BLACK	VOLTS	AMP	CFM Max/Min	SONES Max/Min	DUCT	REMOTE CONTROL
30"	QP230SSC	QP230WWC	QP230BLC	120	2.8	350/100	5/0.6	3¼" x 10", 7" round	-
30"	QP330SSC	QP330WWC	QP330BLC	120	3.3	450/100	7/0.3	3¼" x 10", 7" round	Yes (optional)
36"	QP336SSC	QP336WWC	-	120	3.3	450/100	7/0.3	3¼" x 10", 7" round	Yes (optional)

### OPTIONS

BPPF30	Replacement charcoal filters 30" (QP) (2)	ARP310	Air flow reducer (limits the air flow of the hood under 300 cfm)
S99010354	Non-duct filters for QP3 36" (2)	MD6T	Make-up Air Damper for 6" round duct
S97018202	Aluminum replacement filters QP2 30" (2)	MD8T	Make-up Air Damper for 8" round duct
S97018205	Aluminum replacement filters QP3 30" (2)		
S97018206	Aluminum replacement filters QP3 36" (2)		
BCR1	Remote control (QP3)		

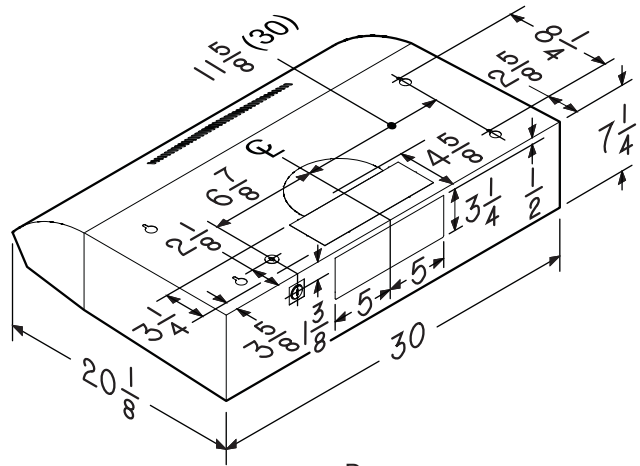


87565B 2012/11

### SPECIFICATIONS

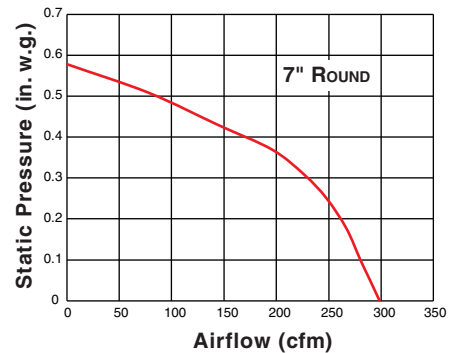
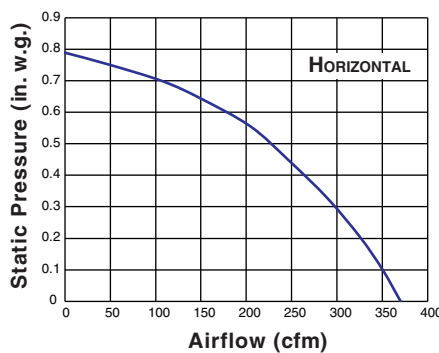
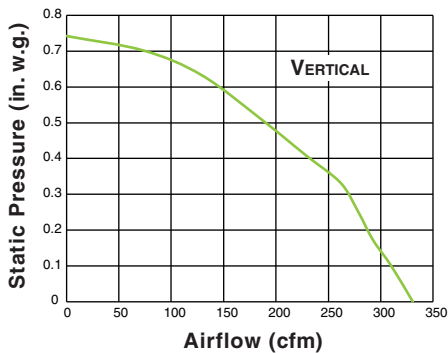
MODEL	QP2 SERIES
VOLTS	120 VAC
Hz	60
AMPS	2.8
CFM (LOW SPEED)	100
CFM (HIGH SPEED)	350
SONE (LOW SPEED)	0.6
SONES (HIGH SPEED)	5.0
DUCTING SIZES	7" ROUND OR 3¼" X 10"
4 HALOGEN BULBS	50 W, MR16 WITH GU10 BASE
WARRANTY	1 YEAR

### DIMENSIONS



DIMENSIONS SHOWN ARE IN INCHES.

### AIR FLOW PERFORMANCE



HVI-2100 CERTIFIED RATINGS comply with new testing technologies and procedures prescribed by the Home Ventilating Institute, for off-the-shelf products, as they are available to consumers. Product performance is rated at 0.1 in. static pressure, based on tests conducted in AMCA's state-of-the-art test laboratory. Sones are a measure of humanly-perceived loudness, based on laboratory measurements.



BROAN-NuTONE CANADA INC., MISSISSAUGA, ONTARIO [WWW.BROAN.CA](http://WWW.BROAN.CA) 1-888-882-7626

PROJECT		REMARKS
LOCATION		
MODEL No.		
QTY.		
SUBMITTED BY		
DATE		