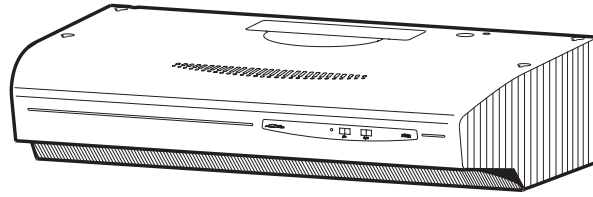


# ALLURE® QS1 SERIES RANGE HOODS

Page 1



Patent No.:  
US D450, 829 S

## READ AND SAVE THESE INSTRUCTIONS

### ⚠ FOR DOMESTIC COOKING ONLY ⚠

#### WARNING



**TO REDUCE THE RISK OF FIRE, ELECTRIC SHOCK, OR INJURY TO PERSONS, OBSERVE THE FOLLOWING:**

1. Use this unit only in the manner intended by the manufacturer. If you have questions, contact the manufacturer at the address or telephone number listed in the warranty.
2. Before servicing or cleaning unit, switch power off at service panel and lock the service disconnecting means to prevent power from being switched on accidentally. When the service disconnecting means cannot be locked, securely fasten a prominent warning device, such as a tag, to the service panel.
3. Installation work and electrical wiring must be done by a qualified person(s) in accordance with all applicable codes and standards, including fire-rated construction codes and standards.
4. Sufficient air is needed for proper combustion and exhausting of gases through the flue (chimney) of fuel burning equipment to prevent backdrafting. Follow the heating equipment manufacturer's guideline and safety standards such as those published by the National Fire Protection Association (NFPA), and the American Society of Heating, Refrigeration and Air Conditioning Engineers (ASHRAE), and the local code authorities.
5. When cutting or drilling into wall or ceiling, do not damage electrical wiring and other hidden utilities.
6. To reduce the risk of fire or electric shock, do not use this range hood with an additional speed control device.
7. Ducted fans must always be vented to the outdoors.
8. To reduce the risk of fire, use only metal ductwork.
9. Use with approved cord-connection kit only.
10. This unit must be grounded.

#### **TO REDUCE THE RISK OF A RANGE TOP GREASE FIRE:**

1. Never leave surface units unattended at high settings. Boilovers cause smoking and greasy spillovers that may ignite. Heat oils slowly on low or medium settings.
2. Always turn hood ON when cooking at high heat or when cooking flaming foods.
3. Clean ventilating fans frequently. Grease should not be allowed to accumulate on fan or filter.
4. Use proper pan size. Always use cookware appropriate for the size of the surface element.

#### **TO REDUCE THE RISK OF INJURY TO PERSONS IN THE EVENT OF A RANGE TOP GREASE FIRE, OBSERVE THE FOLLOWING:\***

1. SMOTHER FLAMES with a close-fitting lid, cookie sheet, or metal tray, then turn off the burner. BE CAREFUL TO PREVENT BURNS. If the flames do not go out immediately, EVACUATE AND CALL THE FIRE DEPARTMENT.
2. NEVER PICK UP A FLAMING PAN — You may be burned.
3. DO NOT USE WATER, including wet dishcloths or towels - violent steam explosion will result.
4. Use an extinguisher ONLY if:
  - A. You know you have a Class ABC extinguisher and you already know how to operate it.
  - B. The fire is small and contained in the area where it started.
  - C. The fire department is being called.
  - D. You can fight the fire with your back to an exit.

\* Based on "Kitchen Fire Safety Tips" published by NFPA.

#### CAUTION



1. For indoor use only.
2. For general ventilating use only. Do not use to exhaust hazardous or explosive materials and vapors.
3. To avoid motor bearing damage and noisy and/or unbalanced impellers, keep drywall spray, construction dust, etc. off power unit.
4. For best capture of cooking impurities, your range hood should be mounted so that the top of the hood is 24-30" above the cooking surface.
5. Please read specification label on product for further information and requirements.

**Installer: Leave this manual with the homeowner.**

**Homeowner: Operating and Cleaning information on page 5.**

#### NOTE

If hood is to be installed Non-Ducted:  
Purchase a set of (2) non-ducted filters from your local distributor or retailer and attach them to the aluminum mesh filters.

## TABLE OF CONTENTS

This manual is divided into sections as follows:

#### **"PREPARE HOOD LOCATION"**

Run ductwork from roof or wall cap, and electrical wiring from service panel - to installation location

#### **"PREPARE THE HOOD"**

Get your hood ready for installation

#### **"CONNECT WIRING"**

Make electrical wiring connections to hood

#### **"INSTALL HOOD"**

Secure hood to cabinet and ductwork - install bulbs and filters

#### **"OPERATION"**

How to use the hood controls

#### **"CLEANING"**

Keep your hood in top working condition

#### **"SERVICE PARTS"**

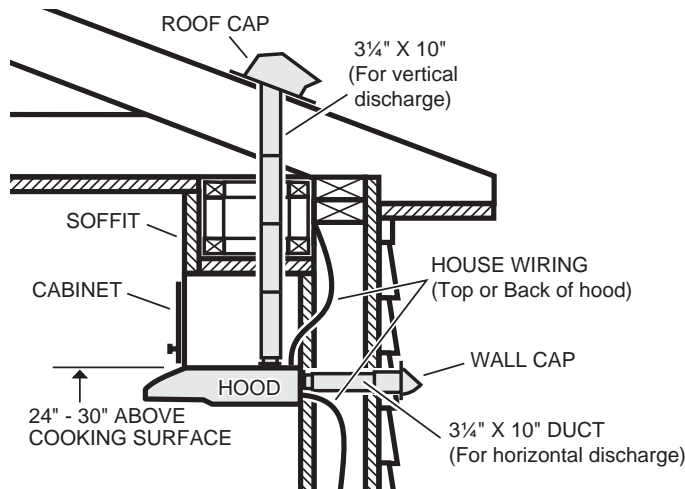
Part numbers and exploded view of hood components

#### **"WARRANTY"**

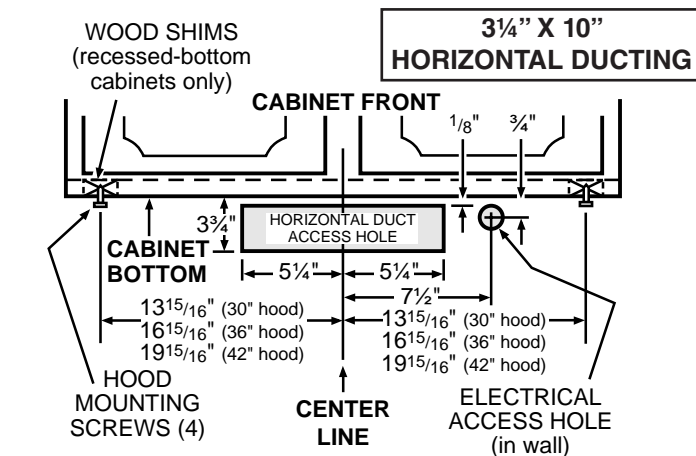
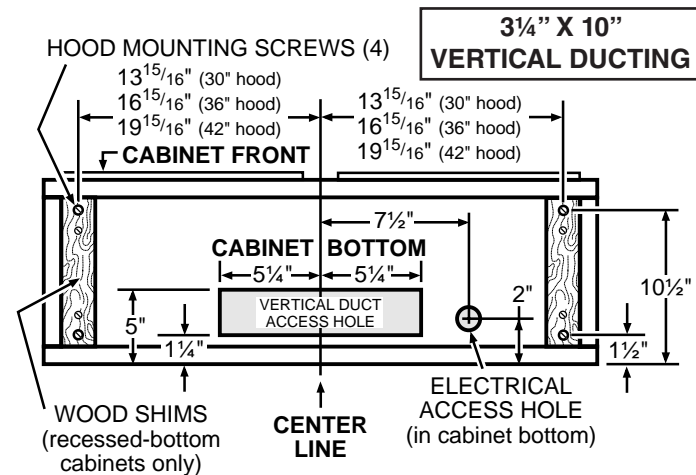
One-year limited warranty and how to contact us

Register your product online at: [www.broan.ca/register](http://www.broan.ca/register)

## PREPARE HOOD LOCATION

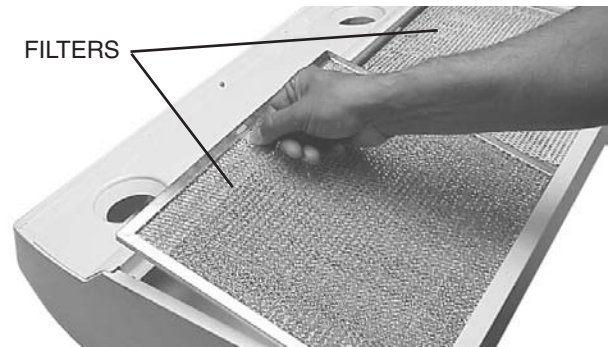


- 1 Determine whether hood will discharge vertically (3 1/4" x 10"), horizontally (3 1/4" x 10" only) or non-ducted. For vertical or horizontal discharge, run ductwork between the hood location and a roof cap or wall cap. For best results, use a minimum number of transitions and elbows.
- 2 Use diagrams, below, for proper placement of ductwork and electrical cutout in cabinet or wall. For a non-ducted installation, DO NOT cut a duct access hole.



- 3 Run house wiring between service panel and hood location.

## PREPARE THE HOOD

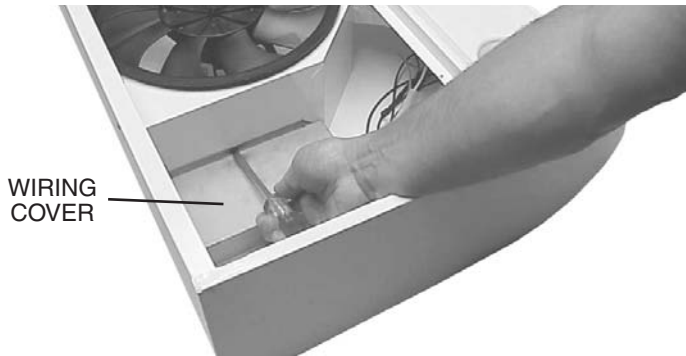


- 1 Remove tape holding **Filters** in place. Pull down on filter tabs and lift filters out. Set filters aside.

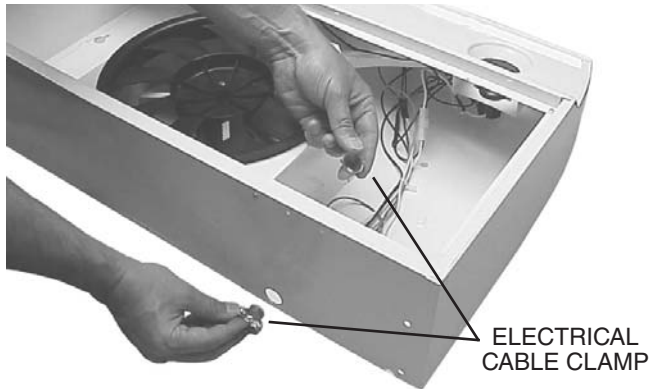


- 2 Remove **Damper/Duct Connector** from inside the hood. Set connector aside - with mounting screws and parts bag.

## PREPARE THE HOOD



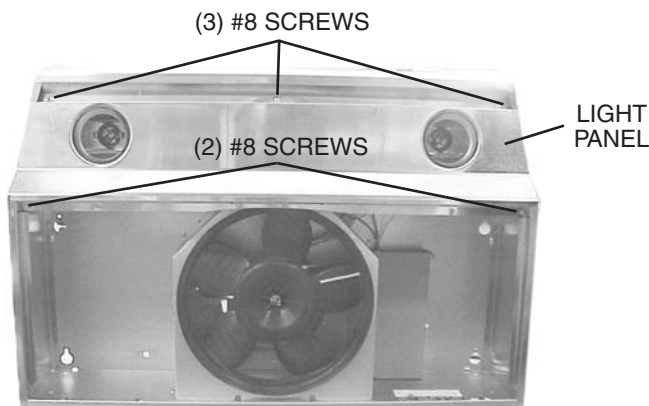
- 3** Remove **Wiring Cover** from inside the hood. Set cover and mounting screw aside.



- 4** Remove either top or back wiring knockout and install approved **Electrical Cable Clamp**.

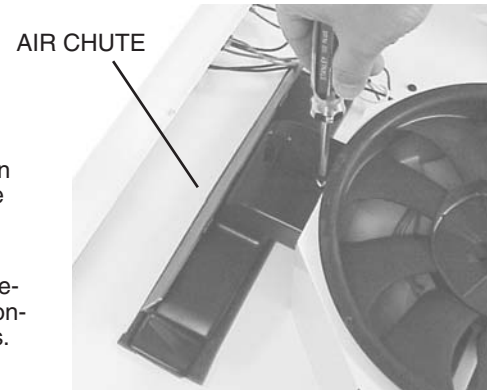
**Ducted Installation - Skip to Step 10.**

**The following Steps (5 thru 9) are for NON-DUCTED INSTALLATION ONLY.**



- 5** Remove **Light Panel** - held in place with (3) #8 screws and (2) #8 screws. Disconnect light assembly wire harness (white connector).

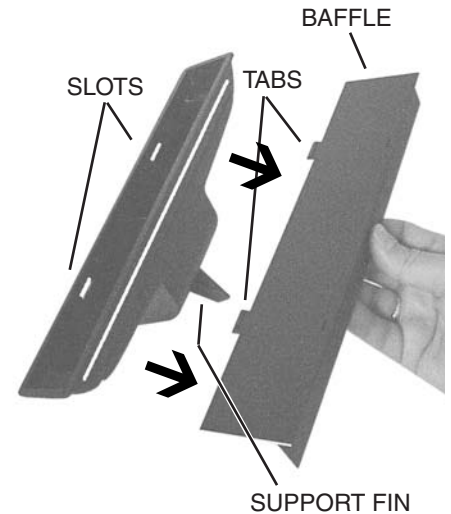
## PREPARE THE HOOD



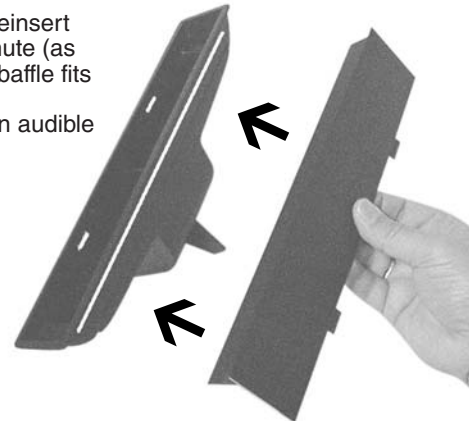
- 6** Remove **Air Chute** - held in place with one (1) screw.

NOTE: Be careful not to disconnect any wires.

- 7** Remove **Baffle** from air chute. **Tabs** will disengage from **Slots**.



- 8** Rotate baffle. Reinsert baffle into air chute (as shown) so that baffle fits all the way into into air chute. An audible "click" will be heard when fully installed. This will direct air flow through the non-ducted slots on top of hood.

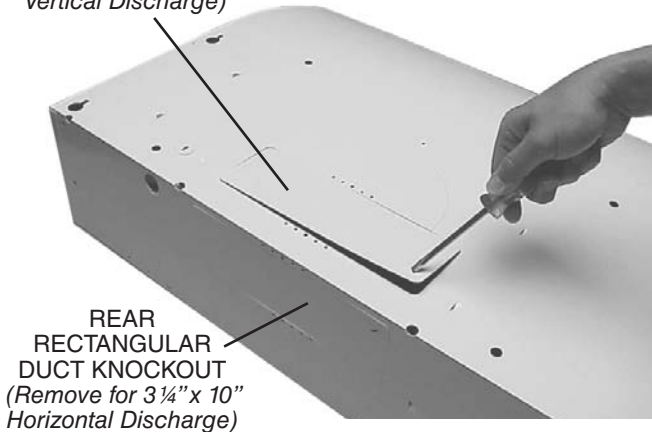


- 9** Re-install air chute and screw, re-connect wire harness, and replace light panel.

NOTE: Be careful not to trap wires between **Support Fin** and light panel.

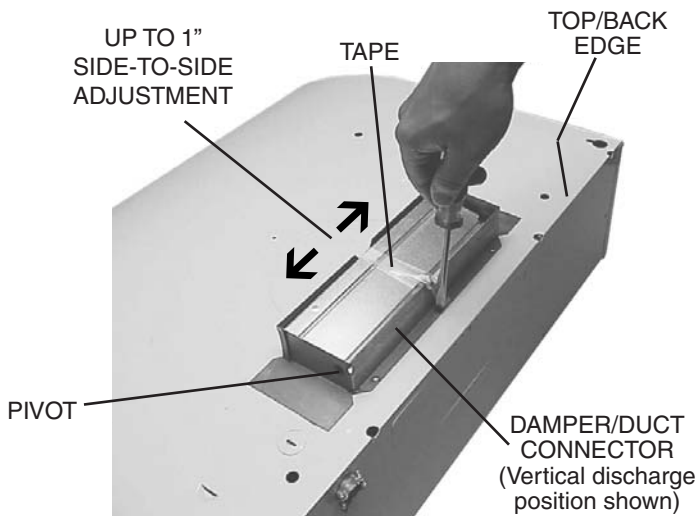
## PREPARE THE HOOD

TOP RECTANGULAR  
DUCT KNOCKOUT  
(Remove for 3 1/4" x 10"  
Vertical Discharge)



REAR  
RECTANGULAR  
DUCT KNOCKOUT  
(Remove for 3 1/4" x 10"  
Horizontal Discharge)

**10** Remove appropriate **Duct Knockout(s)** from top or back of hood.



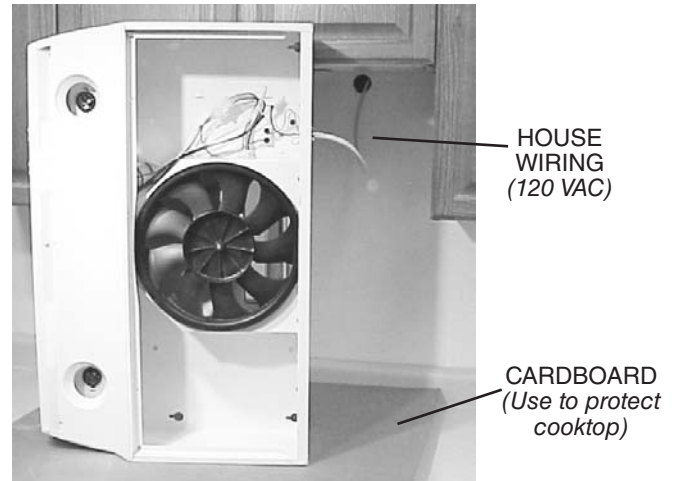
**11** 3 1/4" x 10" Ducted Discharge Only: Attach **Damper/Duct Connector** over knockout opening. Make sure damper **Pivot** is nearest to **Top/Back Edge** of hood. Remove **Tape** from damper flap.

**NOTE** Damper/Duct Connector can be installed up to 1-inch on either side of hood center to accommodate off-center ductwork. In extreme off-center installations, one end of the duct connector may need to be trimmed to clear the electrical cable clamp.

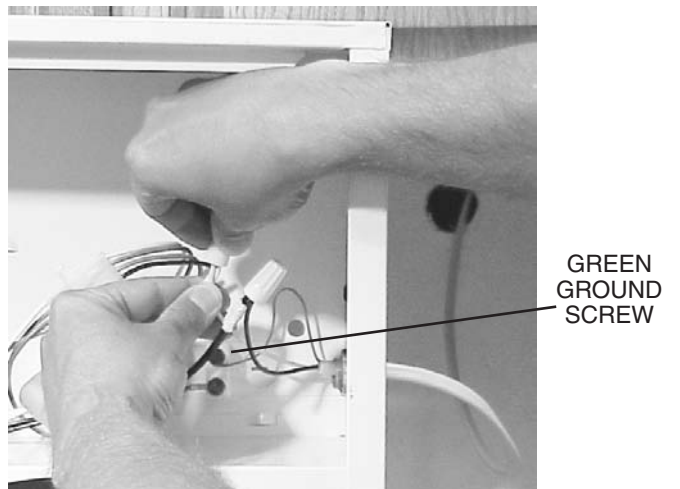
## CONNECT WIRING



**WARNING:** To reduce the risk of electric shock, make sure power is switched off at the service panel. Lock or tag service panel to prevent power from being switched on accidentally.



**1** Connect **House Wiring** (120 VAC) to hood. Use a piece of **Cardboard** to protect the cooktop, if necessary.



**2** Connect house black to hood black wire, house white to hood white wire, and house ground under **Green Ground Screw**. Securely tighten cable clamp onto house wiring.

**3** Replace wiring cover.

## INSTALL HOOD

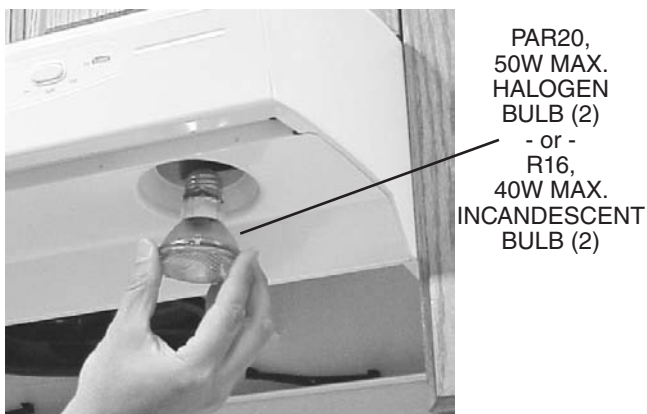


- 1 Hang hood from (4) **Mounting Screws** (from parts bag). Slide hood towards wall until mounting screws are engaged in narrow end of (4) **Keyholes**. Tighten mounting screws securely.

**CAUTION** DO NOT PUSH ON FAN BLADE. Pushing on the blade may cause it to interfere with other hood parts.



- 2 Connect ductwork to hood. Use **Duct Tape** to make joints secure and air tight.



- 3 Install (2) PAR20, 50 W Maximum **Halogen Bulbs** or (2) R16, 40 W Maximum **Incandescent Bulbs**. Purchase bulbs separately.

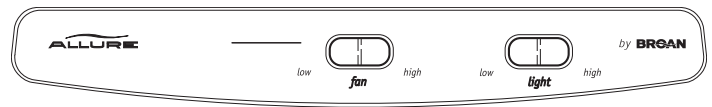
**CAUTION:** Bulbs may be hot! Refer to bulb packaging for further information.

- 4 Replace filters and make sure fan blade turns freely. Turn on power at service panel, and test for proper operation.

## NON-DUCTED FILTERS

If hood is to be installed Non-Ducted:  
Purchase a set of (2) non-ducted filters from your local distributor or retailer and attach them to the aluminum mesh filters.

## OPERATION



**Fan:** The 3-position rocker switch (on the left) controls the fan. The left position is low speed, center position is off, and right position is high speed. An indicator light shows that the fan is on.

**Light:** The 3-position rocker switch (on the right) controls the lights. The left position is low light intensity, center position is off, and right position is high light intensity.

## CLEANING

**WARNING:** To reduce the risk of electric shock, disconnect from power supply before cleaning.

**Aluminum mesh filters:** Clean frequently using hot water and a mild detergent. Filters are dishwasher safe.

**Charcoal filters:** Clean filter surfaces frequently with a damp cloth and a mild detergent. DO NOT immerse filters in water or put in dishwasher. The special "Clean Sense" feature indicates when the filter is to be replaced. The blue and yellow strips will blend to green when it is time to change the filter. The "Clean Sense" feature works best when facing toward the cooking surface.

**To clean hood:** Remove filters. Use a damp cloth and a mild detergent to wipe all grease-laden surfaces. Use care when cleaning fan blade - it must not become bent or misaligned. DO NOT ALLOW WATER TO ENTER MOTOR. Make sure all surfaces are completely dry before re-installing filters and restoring power.

Motor is permanently lubricated. Do not oil or disassemble motor.

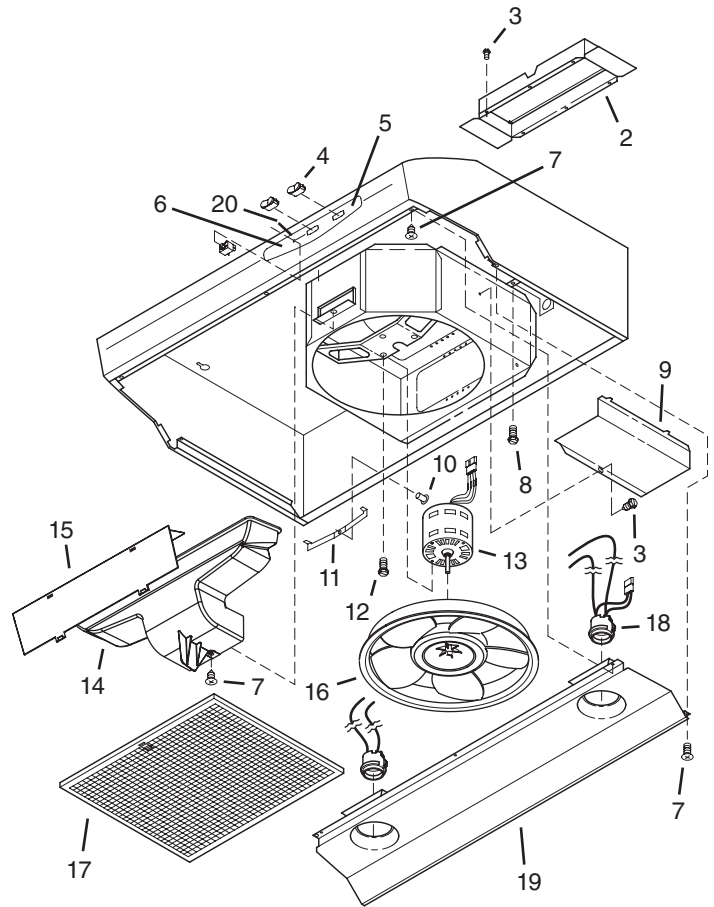
### SERVICE PARTS

KEY NO.	PART NO.	DESCRIPTION
2	R740013	Damper/Duct Connector (includes hardware)
3	R602017	Screw, #8-18 x ¼ Hex* (2 in package)
4	R561115	Rocker Switch, Almond (2 in package)
	R561116	Rocker Switch, White (2 in package)
	R561117	Rocker Switch, Black (2 in package)
	R561119	Rocker Switch, Biscuit (2 in package)
5	R627497	Nameplate, White
	R627498	Nameplate, Almond
	R627499	Nameplate, Stainless
	R627527	Nameplate, Biscuit
	R627575	Nameplate, Black
6	R607657	Lens
7	R602534	Screw, 8-18 x 3/8* (2 in package)
8	R602533	Ground Screw (2 req.)
9	R680504	Wiring Cover (includes hardware)
10	*	Rivet, Pop .125 dia.
11	R169016	Filter Spring Kit
12	R169002	Motor Mounting Screw (3 each part)
13	R99080535	Motor (includes Motor Mounting Kit)
14	R401647	Air Chute Assembly (includes Key No. 15 & hardware)
15	R401646	Baffle
16	R531075	Fan Blade (Includes hairpin clip)
**	R99420635	Hairpin Clip
17	99010299	Filter Kit, for 30" Hood (2 per bag)
	99010300	Filter Kit, for 36" Hood (2 per bag)
	99010301	Filter Kit, for 42" Hood (2 per bag)
18	R111630	Lamp Socket Harness
19	R7201621	Light Panel, White, for 30" Hood
	R7201651	Light Panel, White, for 36" Hood
	R7201671	Light Panel, White, for 42" Hood
	R7201622	Light Panel, Almond, for 30" Hood
	R7201652	Light Panel, Almond, for 36" Hood
	R7201672	Light Panel, Almond, for 42" Hood
	R7201624	Light Panel, Black, for 30" Hood
	R7201654	Light Panel, Black, for 36" Hood
	R7201674	Light Panel, Black, for 42" Hood
	R720163	Light Panel, Stainless, for 30" Hood
	R720166	Light Panel, Stainless, for 36" Hood
	R720168	Light Panel, Stainless, for 42" Hood
	R7201625	Light Panel, Biscuit, for 30" Hood
	R7201655	Light Panel, Biscuit, for 36" Hood
	R7201675	Light Panel, Biscuit, for 42" Hood
20	R169004	Indicator Light (includes 2 wire nuts and lens)
**	R169010	Light Diode Assembly (includes wire nut)
**	R111626	Wire Harness
**	99010308	Non-Ducted Filter Kit, 30" (2 per bag)
**	99010309	Non-Ducted Filter Kit, 36" (2 per bag)
**	99010310	Non-Ducted Filter Kit, 42" (2 per bag)

Order replacement parts by PART NO. - not by KEY NO.

\* Standard hardware - may be purchased locally.

\*\* Not illustrated.



### WARRANTY

#### BROAN-NUTONE ONE YEAR LIMITED WARRANTY

Broan-NuTone warrants to the original consumer purchaser of its products that such products will be free from defects in materials or workmanship for a period of one year from the date of original purchase. THERE ARE NO OTHER WARRANTIES, EXPRESS OR IMPLIED, INCLUDING, BUT NOT LIMITED TO, IMPLIED WARRANTIES OF MERCHANTABILITY OR FITNESS FOR A PARTICULAR PURPOSE.

During this one-year period, Broan-NuTone will, at its option, repair or replace, without charge, any product or part which is found to be defective under normal use and service.

THIS WARRANTY DOES NOT EXTEND TO FLUORESCENT LAMP STARTERS AND TUBES. This warranty does not cover (a) normal maintenance and service or (b) any products or parts which have been subject to misuse, negligence, accident, improper maintenance or repair (other than by Broan-NuTone), faulty installation or installation contrary to recommended installation instructions.

The duration of any implied warranty is limited to the one-year period as specified for the express warranty. Some states do not allow limitation on how long an implied warranty lasts, so the above limitation may not apply to you.

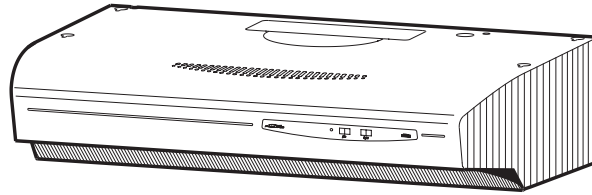
BROAN-NUTONE'S OBLIGATION TO REPAIR OR REPLACE, AT BROAN-NUTONE'S OPTION, SHALL BE THE PURCHASER'S SOLE AND EXCLUSIVE REMEDY UNDER THIS WARRANTY. BROAN-NUTONE SHALL NOT BE LIABLE FOR INCIDENTAL, CONSEQUENTIAL OR SPECIAL DAMAGES ARISING OUT OF OR IN CONNECTION WITH PRODUCT USE OR PERFORMANCE. Some states do not allow the exclusion or limitation of incidental or consequential damages, so the above limitation or exclusion may not apply to you.

This warranty gives you specific legal rights, and you may also have other rights, which vary from state to state. This warranty supersedes all prior warranties.

To qualify for warranty service, you must (a) notify Broan-NuTone at the address or telephone number below, (b) give the model number and part identification and (c) describe the nature of any defect in the product or part. At the time of requesting warranty service, you must present evidence of the original purchase date.

Broan-NuTone LLC Hartford, Wisconsin www.broan.com 800-558-1711  
Broan-NuTone Canada Mississauga, Ontario www.broan.ca 877-896-1119

# HOTTE DE CUISINIÈRE DE LA SÉRIE ALLURE® QS1



Page 7

Patent No.:  
US D450, 829 S

## LISEZ ET CONSERVEZ CES DIRECTIVES

### ⚠ À LA CUISINE DOMESTIQUE SEULEMENT ⚠

#### AVERTISSEMENT



##### AFIN DE DIMINUER LES RISQUES D'INCENDIE, D'ÉLECTROCUTION OU DE BLESSURES, SUIVEZ CES DIRECTIVES:

1. Utilisez ce produit en suivant les recommandations du fabricant. Pour toute question, contactez le fabricant à l'adresse ou au numéro de téléphone indiqués dans la garantie.
2. Avant de réparer ou de nettoyer cette hotte, coupez le courant au panneau d'alimentation et verrouillez-en l'accès afin d'éviter que le courant ne soit accidentellement remis en fonction. S'il vous est impossible de le verrouiller, apposez un indicateur voyant sur le panneau comme, par exemple, une étiquette de couleur vive.
3. L'installation de la hotte ainsi que le câblage électrique doivent être effectués par une ou des personnes compétentes selon les normes et les règles en vigueur, incluant celles qui régissent la prévention des incendies.
4. Une circulation d'air efficace est requise afin d'assurer la combustion et l'évacuation complète des gaz par le tuyau d'évacuation (cheminée) des équipements à combustion et pour prévenir les retours d'air. Conformez-vous aux normes et mesures de sécurité pour les fabricants d'appareils de chauffage publiées par la "National Fire Protection Association (NFPA)" et par la "American Society for Heating, Refrigeration and Air Conditioning Engineers (ASHRAE)" ainsi qu'aux normes en vigueur dans votre région.
5. Lorsque vous coupez ou percez un mur ou un plafond, prenez garde d'endommager les fils électriques ou autres installations qui pourraient y être dissimulés.
6. Pour réduire les risques d'incendie ou de décharge électrique, ne pas utiliser ce ventilateur avec un régulateur de vitesse à transistors supplémentaire.
7. Les installations ventilées doivent toujours être reliées à des conduits rejetant l'air à l'extérieur.
8. Afin de diminuer les risques d'incendie, n'utilisez que des conduits de ventilation en métal.
9. Utilisation avec le kit approuvé de corde-raccordement seulement.
10. Ce ventilateur doit être relié à une mise à la terre.

##### POUR RÉDUIRE LES RISQUES D'UN FEU DE FRITURE AU-DESSUS DE LA CUISINIÈRE :

1. Ne jamais laisser sans surveillance des unités de surface réglées à feu vif. En plus de générer de la fumée, les débordements de graisse peuvent prendre feu. Chauffer les huiles lentement à feu doux ou moyen.
2. Toujours mettre en marche la hotte durant la cuisson à feu vif ou la cuisson d'aliments à flamber.
3. Nettoyer régulièrement les ventilateurs d'aération. On ne doit tolérer aucune accumulation de graisse sur le ventilateur ou sur le filtre.
4. Utiliser une casserole de grosseur appropriée. Toujours utiliser une batterie de cuisine proportionnelle à l'élément de surface.

##### AFIN DE DIMINUER LES RISQUES DE BLESSURES POUVANT SURVENIR LORSQU'UN FEU SE DÉCLENCHE SUR LA SURFACE DE CUISSON, SUIVEZ CES DIRECTIVES:

1. **ÉTOUFFEZ LES FLAMMES** avec un couvercle hermétique, une tôle à biscuits ou un plateau en métal puis éteignez la cuisinière. **PRENEZ GARDE AUX BRÛLURES.** Si vous ne parvenez pas à éteindre immédiatement les flammes, **ÉVACUEZ LES LIEUX ET CONTACTEZ VOTRE POSTE LOCAL DE LUTTE CONTRE LES INCENDIES.**
2. **NE VOUS EMPAREZ JAMAIS D'UN PLAT QUI S'EST ENFLAMMÉ** – Vous risqueriez de vous brûler.
3. **N'UTILISEZ JAMAIS D'EAU**, incluant les linges à vaisselles ou serviettes mouillés car cela peut provoquer une violente explosion de vapeur.
4. Utilisez un extincteur **SEULEMENT** si:
  - A. Il s'agit d'un extincteur de classe ABC et que vous savez comment vous en servir.
  - B. Il s'agit d'un petit feu qui ne se propage pas ailleurs que sur la cuisinière.
  - C. Vous avez appelé votre poste local de lutte contre les incendies.
  - D. Vous pouvez combattre le feu tout en ayant accès à une sortie.

\* Basé sur "Kitchen Fire Safety Tips" édité par NFPA.

#### ATTENTION



1. Pour l'usage d'intérieur seulement.
2. N'utilisez cet appareil que pour la ventilation des surfaces de cuisson. Ne l'utilisez pas pour ventiler des matières ou des vapeurs de nature dangereuse ou explosive.
3. Afin d'éviter d'endommager le mécanisme du moteur et de débalancer et/ou de rendre bruyant le fonctionnement des hélices, protégez l'appareil des poussières de placo-plâtre et de construction.
4. Pour obtenir de meilleurs résultats de ventilation, votre hotte de cuisinière devrait être installée à une distance de 60 cm à 76 cm au-dessus de la surface de cuisson.
5. Veuillez lire toutes les étiquettes apposées sur le produit pour obtenir plus d'information et connaître les spécifications d'installation.

**Avis à l'installateur: Veuillez remettre ce guide au propriétaire de la hotte.**

**Avis au propriétaire de la hotte: Vous trouverez les directives concernant le fonctionnement et le nettoyage de cet appareil à la page 11 du présent guide.**

#### NOTA

Si la hotte est installée sans conduit (installation non ventilée), procurez-vous un ensemble de 2 filtres par installation non ventilée et fixez-les sur les filtres d'aluminium. Ces filtres sont disponibles chez le distributeur de votre région ou chez le marchand qui vous a vendu la hotte.

## TABLE DES MATIÈRES

Ce guide est divisé en huit sections:

#### "PRÉPAREZ L'EMPLACEMENT"

Installez les conduits depuis le capuchon de toit ou le capuchon de mur ainsi que les fils électriques depuis le panneau d'alimentation jusqu'à l'emplacement d'installation.

#### "PRÉPAREZ LA HOTTE"

Effectuez les préparatifs nécessaires pour l'installation de votre hotte.

#### "BRANCHEZ LES FILS D'ALIMENTATION ÉLECTRIQUE"

Raccordez les fils électriques à la hotte.

#### "INSTALLEZ LA HOTTE"

Fixez la hotte sous l'armoire et reliez-la au conduit - installez les ampoules et les filtres.

#### "FONCTIONNEMENT"

Comment faire fonctionner votre hotte.

#### "ENTRETIEN"

Conseils pour maintenir votre hotte en parfait état de marche.

#### "PIÈCES DE REMPLACEMENT"

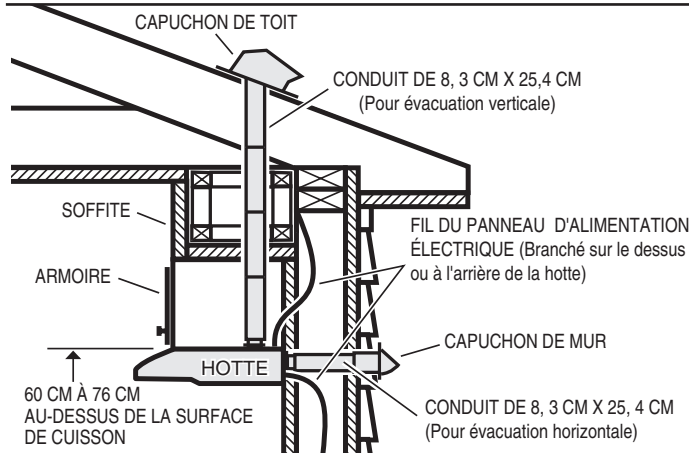
Liste des pièces de remplacement avec leur numéro d'identification et schéma détaillé des composantes de la hotte.

#### "GARANTIE"

Garantie limitée d'un an et coordonnées pour communiquer avec notre service à la clientèle.

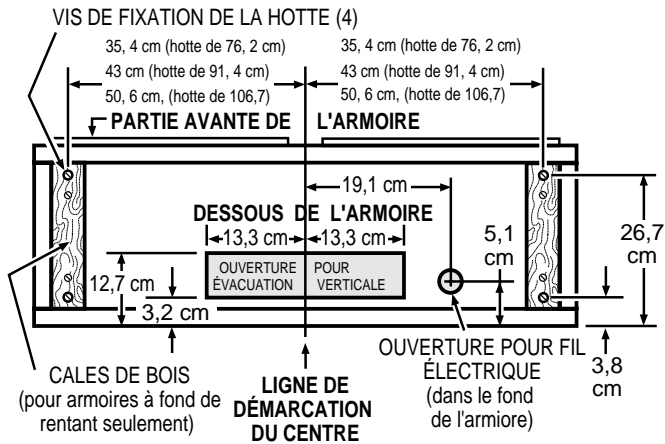
Enregistrez votre produit en ligne à : [www.fr.broan.ca/register](http://www.fr.broan.ca/register)

### PRÉPAREZ L'EMPLACEMENT

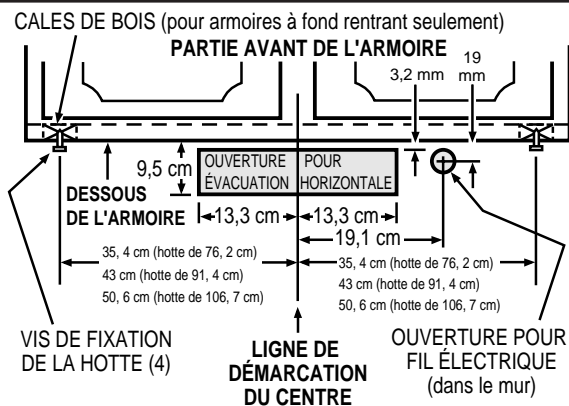


- 1 Choisissez entre une évacuation verticale (conduit de 8,3 cm x 25,4 cm), une évacuation horizontale (conduit de 8,3 cm x 25,4 cm) et une installation sans conduit. Pour les installations à évacuation horizontale ou verticale, reliez la hotte à un capuchon de mur ou à un capuchon de toit à l'aide de conduits appropriés. Pour obtenir de meilleurs résultats, évitez, dans la mesure du possible, d'utiliser des transitions ou des coudes.
- 2 Consultez les schémas ci-dessous pour savoir où percer les ouvertures dans les armoires ou les murs pour les conduits et les fils électriques. Dans le cas d'une installation non ventilée, NE PERCEZ PAS d'ouverture pour un conduit de rejet d'air.

#### CONDUIT VERTICAL DE 8,3 CM X 25,4 CM

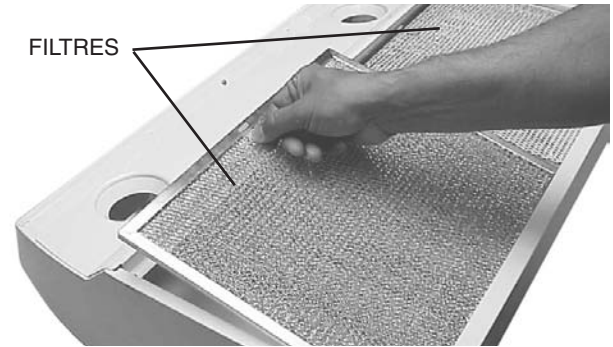


#### CONDUIT HORIZONTAL DE 8,3 CM X 25,4 CM



- 3 Amenez le fil électrique depuis le panneau d'alimentation jusqu'à l'emplacement prévu pour la hotte.

### PRÉPAREZ LA HOTTE



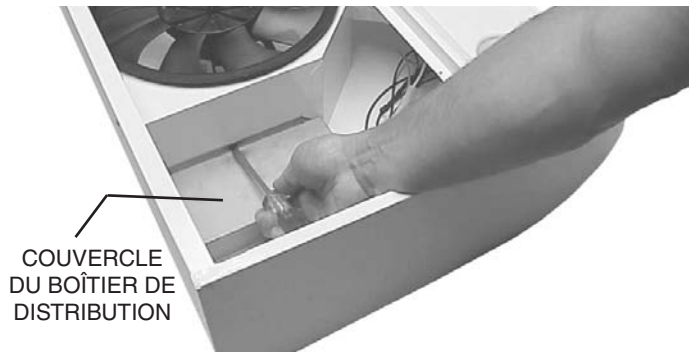
- 1 Retirez le ruban adhésif qui sert à maintenir les filtres en place. Tirez sur les languettes des filtres et soulevez ces derniers. Mettez les filtres de côté.



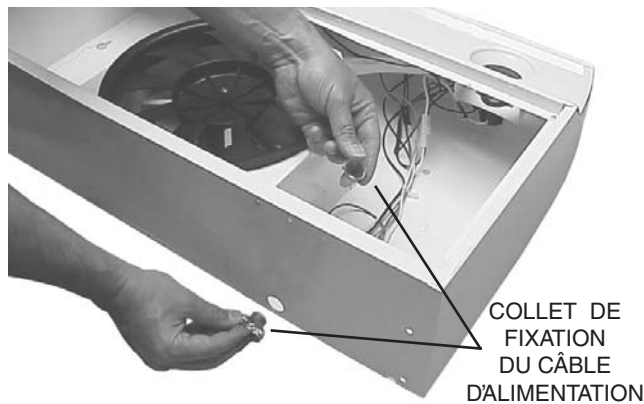
- 2 Retirez le **raccord du conduit** avec le registre de la hotte. Mettez-le de côté avec les vis d'assemblage et le sac contenant les pièces.



### PRÉPAREZ LA HOTTE



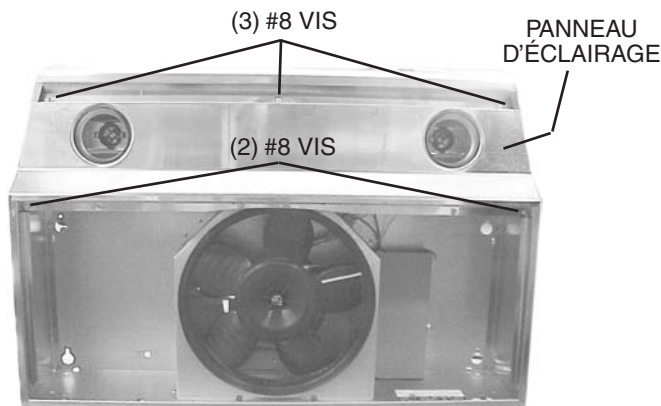
- 3** Retirez le **couvercle du boîtier de distribution** de la hotte. Mettez-le de côté avec les vis d'assemblage.



- 4** Retirez l'une des deux débouchures d'accès du câble d'alimentation (sur le dessus de la hotte ou à l'arrière) et installez un **collet de fixation** répondant aux normes régissant les installations électriques.

**Installation avec conduit - Passez à l'étape 10.**

**Les étapes suivantes (5 à 9) ne concernent que les INSTALLATIONS SANS CONDUIT.**



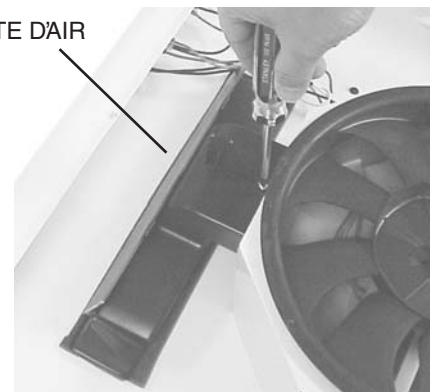
- 5** Enlevez le **panneau d'éclairage** - mainenu par cinq (3) #8 vis et (2) #8 vis.

### PRÉPAREZ LA HOTTE

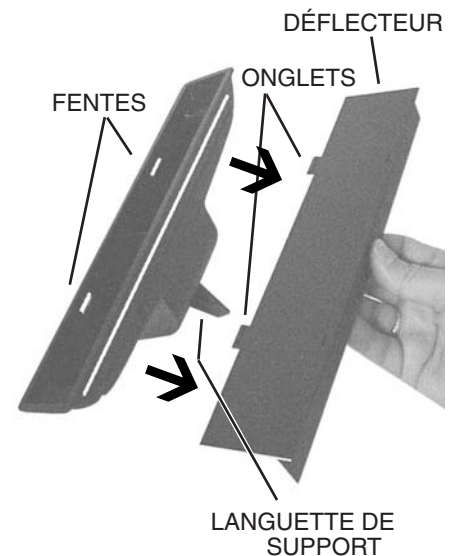
CHUTE D'AIR

- 6** Enlevez le **chute d'air** - maintenue par une (1) vis.

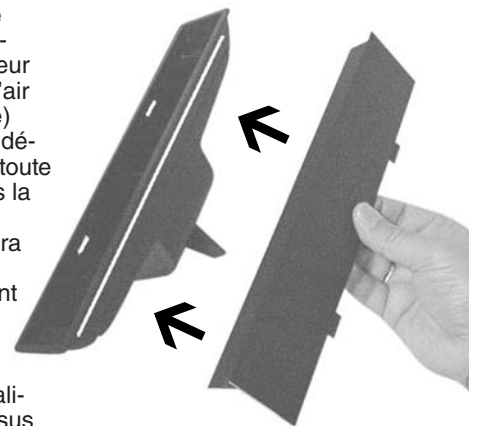
REMARQUE : Prendre garde de ne débrancher aucun fil.



- 7** Enlevez le **défecteur** de la chute d'air. Les **onglets** désengageront des **fentes**.



- 8** Faites pivoter le déflecteur. Réinsérez le déflecteur dans la chute d'air (comme montré) de sorte que le déflecteur adapte toute la manière dans la chute d'air. Un "clic" audible sera entendu quand il est entièrement installé. Ceci dirigera l'air traversant les fentes non-canalisesées sur le dessus du hotte.

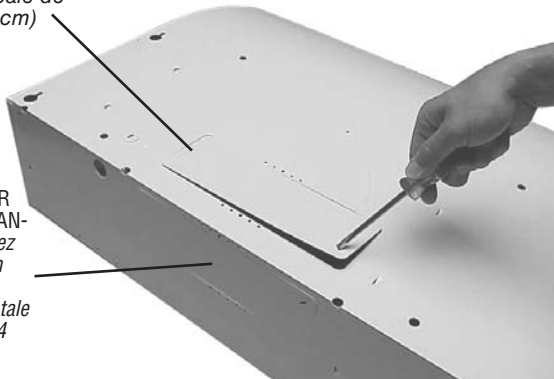


- 9** Réinstallez la chute d'air et la vis, l'harnais pour fils, et le panneau d'éclairage.  
REMARQUE : Prendre garde de ne pas coincer les fils entre la **languette de support** et le panneau d'éclairage.

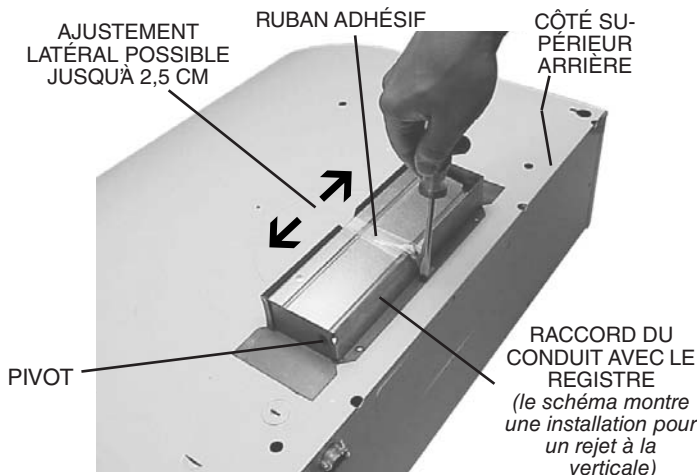
### PRÉPAREZ LA HOTTE

DÉBOUCHURE SUPÉRIEURE POUR CONDUIT RECTANGULAIRE (Retirez pour installer un conduit de rejet d'air à la verticale de 8,3 cm x 25,4 cm)

DÉBOUCHURE LATÉRALE POUR CONDUIT RECTANGULAIRE (Retirez pour installer un conduit de rejet d'air à l'horizontale de 8,3 cm x 25,4 cm)



- 10 Retirez la **débochure** appropriée sur le dessus ou à l'arrière de la hotte.



- 11 Pour les installations avec un conduit de rejet d'air de 8,3 cm x 25,4 cm seulement : Fixez le **raccord du conduit avec le registre** sur l'ouverture (débochure) choisie. Assurez-vous que le **pivot** du registre soit installé près du **côté supérieur arrière** de la hotte. Retirez le **ruban adhésif** du volet du registre.

**NOTA** Le raccord du conduit avec le registre peuvent être installés avec un jeu de 2,5 cm de part et d'autre de la ligne de démarcation centrale pour s'adapter aux conduits qui ne sont pas parfaitement centrés. Dans certains cas extrêmes, il peut être nécessaire de tailler l'une des extrémités du raccord de conduit pour permettre un dégagement du collet de fixation du câble d'alimentation.

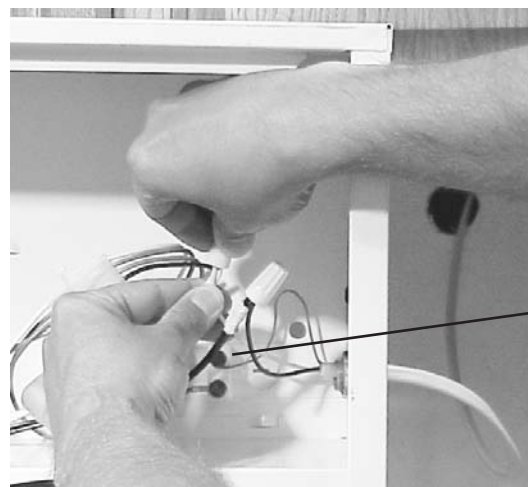
### BRANCHEZ LES FILS D'ALIMENTATION ÉLECTRIQUE



**AVERTISSEMENT:** Afin de prévenir les risques d'électrocution, assurez-vous que le courant ait été interrompu au panneau d'alimentation principal. Verrouillez ce dernier ou apposez un indicateur voyant pour éviter que quelqu'un ne remette accidentellement le courant en marche.



- 1 Branchez le **câble d'alimentation du panneau principal** (120 V, courant alternatif) à la hotte. Si nécessaire, utilisez un **morceau de carton** pour protéger la surface de cuisson.



- 2 Branchez le fil noir du panneau principal au fil noir de la hotte, le fil blanc du panneau principal au fil blanc de la hotte et le fil de mise à la terre du panneau principal à la **vis verte de mise à la terre**. Utilisez le collet de fixation pour maintenir solidement en place le câble d'alimentation.
- 3 Remettez en place le couvercle du boîtier de distribution.

### INSTALLEZ LA HOTTE



OUVERTURE EN FORME DE TROU DE SERRURE (4)

VIS D'ASSEMBLAGE (4)

- 1 Utilisez les 4 **vis d'assemblage** (que vous retrouverez dans le sac contenant les pièces) pour suspendre la hotte. Faites glisser la hotte vers le mur pour engager les vis dans la partie étroite des 4 **ouvertures en forme de trou de serrure**. Serrez solidement les vis d'assemblage.

#### ATTENTION

ATTENTION: NE PUSSEZ PAS SUR L'HÉLICE DU VENTILATEUR. Cela pourrait endommager l'hélice et nuire à son fonctionnement.



RUBAN ADHÉSIF POUR SCÉLLER LES CONDUITS

- 2 Raccordez le conduit à la hotte. Utilisez du **ruban adhésif pour sceller les conduits** pour rendre votre installation étanche.



AMPOULES HALOGÈNES (2) PAR 20, 50 WATTS MAXIMUM OU AMPOULES RÉGULIÈRES (2) R16, 40 WATTS MAXIMUM

- 3 Installez 2 **ampoules halogènes** PAR20 de 50 W maximum ou 2 **ampoules régulières** R16 de 40 W maximum (ampoules vendues séparément).



**AVERTISSEMENT : Les ampoules peuvent devenir très chaudes ! Consultez les directives sur l'emballage pour plus d'information.**

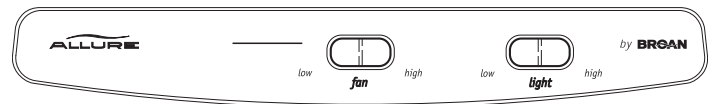
- 4 Remettez les filtres en place et assurez-vous que les hélices du ventilateur tournent librement. Remettez le courant en marche depuis le panneau principal et effectuez un test pour vous assurer du bon fonctionnement.

### FILTRES SAN CONDUIT

Si la hotte est installée sans conduit:

Procurez-vous un ensemble de 2 filtres pour installation non ventilée et fixez-les aux filtres d'aluminium. Ces filtres sont disponibles chez le distributeur de votre région ou chez le marchand qui vous a vendu la hotte.

### FONCTIONNEMENT



**Ventilateur :** Le ventilateur est contrôlé à l'aide du commutateur à bascule à trois positions situé du côté gauche de la hotte. Faites basculer le commutateur vers la position de gauche pour un fonctionnement à régime minimal, vers la position centrale pour arrêter le ventilateur et vers la position de droite pour le régime maximum. Un voyant témoin vous indique que le ventilateur est en marche.

**Éclairage :** L'éclairage est contrôlé à l'aide du commutateur à bascule à trois positions situé du côté droit de la hotte. Faites basculer le commutateur vers la position de gauche pour un éclairage minimal, vers la position centrale pour éteindre l'éclairage et vers la position de droite pour un éclairage maximum.

### ENTRETIEN



**AVERTISSEMENT : Afin de prévenir les risques d'électrocution, interrompez le courant avant de procéder à l'entretien de la hotte.**

**Filtres d'aluminium :** Nettoyez régulièrement à l'eau chaude avec un peu de détergent doux. Vous pouvez également les nettoyer au lave-vaisselle.

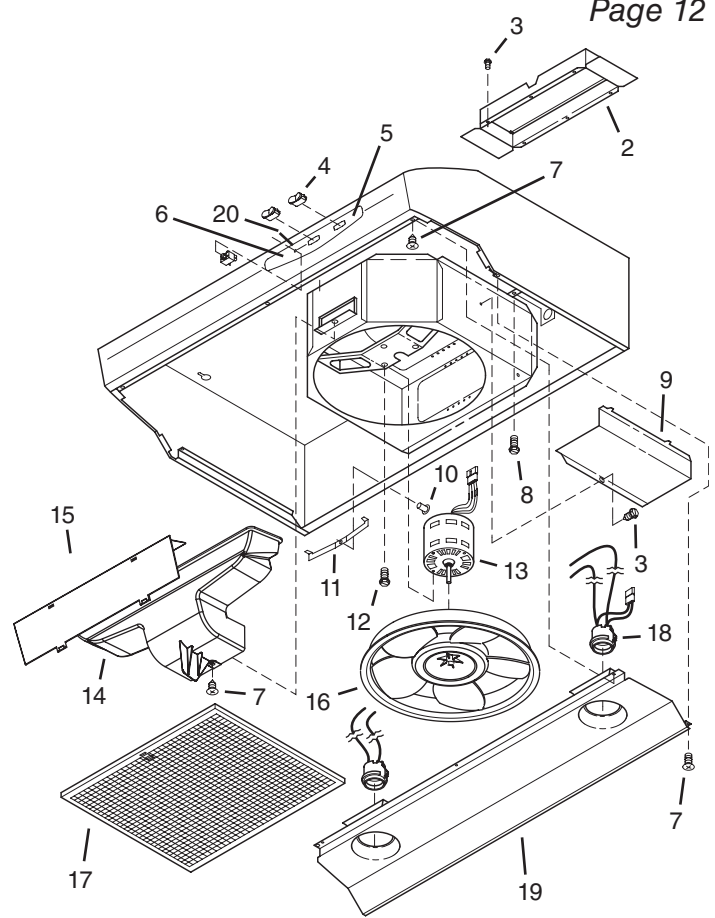
**Filtres à charbon actif :** Nettoyez souvent la surface des filtres avec un chiffon mouillé et un détergent doux. **NE PLONGEZ PAS** ces filtres dans l'eau et ne les nettoyez pas au lave-vaisselle. L'indicateur spécial "Clean Sense" s'active lorsqu'il est temps de remplacer le filtre. Les bandes bleue et jaune se mêlent pour verdir pour vous signaler qu'il est temps de le remplacer. L'indicateur "Clean Sense" fonctionne mieux lorsqu'il fait face à la surface de cuisson.

**Pour nettoyer la hotte :** Retirez les filtres. Utilisez un chiffon mouillé et un détergent doux pour nettoyer toutes les surfaces exposées aux éclaboussures de graisses. Nettoyez délicatement l'hélice du ventilateur afin d'éviter de l'endommager ou de la déplacer. **LE MOTEUR NE DOIT JAMAIS ÊTRE EXPOSÉ À L'EAU.** Assurez-vous que toutes les surfaces soient bien sèches avant de remettre les filtres en place et de re-brancher la hotte.

Le moteur bénéficie d'une lubrification permanente. Ne démontez pas le moteur et n'essayez pas d'y ajouter de l'huile ou un lubrifiant quelconque.

### PIÈCES DE REMPLACEMENT

NO. DU SCHÉMA	NO. DE PIÈCE	DESCRIPTION
2	R740013	Raccord du conduit avec le registre (avec vis d'assemblage)
3	R602017	Vis # 8-18 x 1/4 six pans* (2)
4	R561115	Commutateur à bascule, amande (2)
	R561116	Commutateur à bascule, blanc (2)
	R561117	Commutateur à bascule, noir (2)
	R561119	Commutateur à bascule, beige (2)
5	R627497	Plaque d'identification, blanche
	R627498	Plaque d'identification, amande
	R627499	Plaque d'identification, acier inoxydable
	R627527	Plaque d'identification, beige
	R627575	Plaque d'identification, noire
6	R607657	Lentille
7	R602534	Vis #8-18 x 3/8* (2)
8	R602533	Vis de mise à la terre (2)
9	R680504	Couvercle du boîtier de distribution (avec vis d'assemblage)
10	*	Rivet à ressort, 32 mm
11	R169016	Ressort pour le filtre
12	R169002	Vis de fixation du moteur (3 de chaque côté)
13	R99080535	Moteur (incluant vis de fixation)
14	R401647	Ensemble de chute d'air (incluant no. du schéma 15 et vis d'assemblage)
15	R401646	Défecteur
16	R531075	Hélice du ventilateur (incluye sujetador de horquilla)
**	R99420635	Sujetador de horquilla
17	99010299	Ensemble de filtres pour hotte de 76,2 cm (2 par sac)
	99010300	Ensemble de filtres pour hotte de 91,4 cm (2 par sac)
	99010301	Ensemble de filtres pour hotte de 106,7 cm (2 par sac)
18	R111630	Harnais pour douille de lampe
19	R7201621	Panneau d'éclairage, blanc, hotte de 76,2 cm
	R7201651	Panneau d'éclairage, blanc, hotte de 91,4 cm
	R7201671	Panneau d'éclairage, blanc, hotte de 106,7 cm
	R7201622	Panneau d'éclairage, amande, hotte de 76,2 cm
	R7201652	Panneau d'éclairage, amande, hotte de 91,4 cm
	R7201672	Panneau d'éclairage, amande, hotte de 106,7 cm
	R7201624	Panneau d'éclairage, noir, hotte de 76,2 cm
	R7201654	Panneau d'éclairage, noir, hotte de 91,4 cm
	R7201674	Panneau d'éclairage, noir, hotte de 106,7 cm
	R720163	Panneau d'éclairage, acier inoxydable, hotte de 76,2 cm
	R720166	Panneau d'éclairage, acier inoxydable, hotte de 91,4 cm
	R720168	Panneau d'éclairage, acier inoxydable, hotte de 106,7 cm
	R7201625	Panneau d'éclairage, beige, hotte de 76,2 cm
	R7201655	Panneau d'éclairage, beige, hotte de 91,4 cm
	R7201675	Panneau d'éclairage, beige, hotte de 106,7 cm
20	R169004	Voyant lumineux (incluant 2 serre-fils et la lentille)
**	R169010	Ensemble de diode lumineuse (avec serre-fils)
**	R111626	Harnais pour fils
**	99010308	Ens. de filtres pour instal. sans conduit, hotte 76,2 cm (2)
**	99010309	Ens. de filtres pour instal. sans conduit, hotte 91,4 cm (2)
**	99010310	Ens. de filtres pour instal. sans conduit, hotte 106,7cm (2)



Commandez les pièces de remplacement en spécifiant le numéro de pièce et non le numéro du schéma.

\* Pièce que vous pouvez vous procurer dans toute bonne quincaillerie.

\*\* Non illustré

## GARANTIE

### GARANTIE LIMITÉE DE UN AN DE BROAN-NUTONE

Broan-NuTone garantit à l'acheteur consommateur original de ses produits qu'ils sont exempts de vice de matériaux ou de fabrication pour une période d'un an à compter de la date d'achat original. IL N'Y A PAS D'AUTRES GARANTIES, EXPRIMÉES OU IMPLICITES, INCLUANT MAIS NON LIMITÉES AUX GARANTIES IMPLICITES DE QUALITÉ MARCHANDE ET DE CONVENANCE DANS UN BUT PARTICULIER.

Durant cette période d'un an, Broan-NuTone, à sa discrétion, réparera ou remplacera gratuitement tout produit ou pièce qui s'avèrera défectueux et ayant été utilisé normalement et d'une manière non abusive.

CETTE GARANTIE NE COUVRE PAS LES STARTERS DE TUBES FLUORESCENTS NI LES TUBES FLUORESCENTS. Cette garantie ne couvre pas (a) l'entretien et le service normal ou (b) tout produit ou pièce endommagé à la suite d'un mauvais usage, d'une négligence, d'un accident, d'un entretien inadéquat ou d'une réparation (autre que par Broan-NuTone), d'une mauvaise installation ou d'une installation non conforme au mode d'installation recommandé.

La durée de toute garantie implicite est limitée à une période de un an tel que spécifié pour la garantie exprimée. Certains États ou provinces ne permettent pas de limitation de la durée d'une garantie implicite. Cette condition ne s'applique donc peut-être pas dans votre cas.

L'ENGAGEMENT DE BROAN-NUTONE À RÉPARER OU À REMPLACER, AU CHOIX DE BROAN-NUTONE, SERA LA SEULE OBLIGATION EXCLUSIVE SOUS CETTE GARANTIE. BROAN-NUTONE NE SE TIENDRA PAS RESPONSABLE DES DOMMAGES DIRECTS, INDIRECTS OU SPÉCIAUX AYANT UN LIEN DIRECT OU INDIRECT AVEC L'UTILISATION OU LA PERFORMANCE DE SES PRODUITS. Certains États ou provinces ne permettent pas l'exclusion ou la limitation de dommages directs ou indirects. Cette condition ne s'applique donc peut-être pas dans votre cas.

Cette garantie vous donne des droits spécifiques et il se peut que vous ayez d'autres droits qui varient d'une province à l'autre ou d'un État à l'autre. Cette garantie annule toutes les garanties précédentes.

Pour le service sous garantie, vous devez (a) aviser Broan-NuTone à l'adresse ou numéro de téléphone mentionnée ci-dessous, (b) donner le numéro de modèle et l'identification de la pièce et (c) décrire la nature de tout défaut dans le produit ou la pièce. Au moment de la demande de service sous garantie, vous devez présenter une preuve de la date d'achat original du produit en question.

Broan-NuTone LLC Hartford, Wisconsin www.broan.com 800-558-1711  
Broan-NuTone Canada Mississauga, Ontario www.fr.broan.ca 877-896-1119