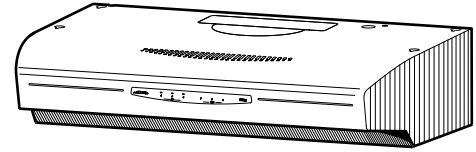


ALLURE® RANGE HOOD MODELS QS1, QS2, QS3



Meeting customer demands for a contemporary styled range hood that is 50% quieter than average hoods, is easy to clean, and brightly lights the cooktop.

FEATURES

- Clean, sleek appearance
- Durable, baked-on polyester finish paint or brushed finish stainless steel
- Over 50% quieter than the average range hood
- Exclusive DuPont Teflon®, non-stick bottom cover for easy cleaning (QS2 & QS3)
- Large, full filter design - dishwasher-safe for easy cleaning
- Dual halogen lights provide focused lighting for unmatched cooktop visibility as well as a soft, night-time level (lamps not included)
- Patented, axial blade (QS1) or centrifugal blower (QS2 & QS3) provides increased performance and quieter operation
- Flush-mounted controls
- Versatile design allows for 3¼" x 10" (83 mm x 254 mm), 7" (178 mm) round, or non-ducted discharges without repositioning blower
- Adjustable duct connectors - accommodate off-center ductwork
- CleanSense™ charcoal filters change color when replacement is necessary (for non-ducted installations - purchase separately)
- Available in 30" (762 mm) width in White, Biscuit, Almond, Black, and Stainless Steel; 36" (914 mm) width in White and Stainless Steel
- Bilingual carton graphics and installation manual (English/French)
- Broan Heat Sentry™ - automatically turns blower to high (QS2), on or higher (QS3) when excess cooking heat is detected



HVI-2100 CERTIFIED RATINGS comply with new testing technologies and procedures prescribed by the Home Ventilating Institute, for off-the-shelf products, as they are available to consumers. Product performance is rated at 0.1 in. (2.54 mm) static pressure, based on tests conducted in AMCA's state-of-the-art test laboratory. Sones are a measure of humanly-perceived loudness, based on laboratory measurements.



TYPICAL SPECIFICATION

Range hood shall be Broan QS1, QS2 or QS3 Series.

Unit will have clean, contoured appearance with no sharp edges. Finish to be baked-on polyester paint (matte finish stainless steel). It must have a fully-enclosed bottom and dishwasher-safe, full filters.

Hood to be convertible between 3¼" x 10" (83 mm x 254 mm) and 7" (178 mm) round ducted (using two washable aluminum filters) as well as non-ducted (using two CleanSense™ filters - must be purchased separately). Duct connectors must be adjustable to accommodate off-center ductwork.

Range hood to have a patented, axial blade (centrifugal blower) and twin, 50-watt (max.) halogen flood lights. Blower and lights shall be operated using a specially-designed, adjustable control with 2-speed rocker (3-speed electronic push button) (4-speed electronic, with delayed "off" and filter reminder).

Air delivery shall be no less than 220 cfm [104 l/s] (QS1), 300 cfm [142 l/s] (QS2), 430 cfm [203 l/s] (QS3).

Sound level to be no greater than 1.5 sones/100 cfm [47 l/s] - 5.0 sones/220 cfm [104 l/s] (QS1);

0.9 sone/100 cfm [47 l/s] - 4.5 sones/300 cfm [142 l/s] (QS2);

0.4 sone/100 cfm [47 l/s] - 4.5 sones/300 cfm [142 l/s] - 8.0 sones/430 cfm [203 l/s] in "Boost" mode (QS3).

Air and sound ratings to be certified by HVI. Units shall be cUL listed.

Broan-NuTone LLC, 926 West State Street, Hartford, Wisconsin, USA 53027 (1-800-637-1453)
Broan-NuTone Canada Inc., 1140, Tristar Drive, Mississauga (Ontario) CANADA L5T 1H9 (1 888 882-7626)

REFERENCE	QTY.	REMARKS	Project
			Location
			Architect
			Engineer
			Contractor
			Submitted by Date

PRODUCT SPECIFICATIONS — ALLURE

RANGE HOOD

MODELS QS1, QS2, QS3

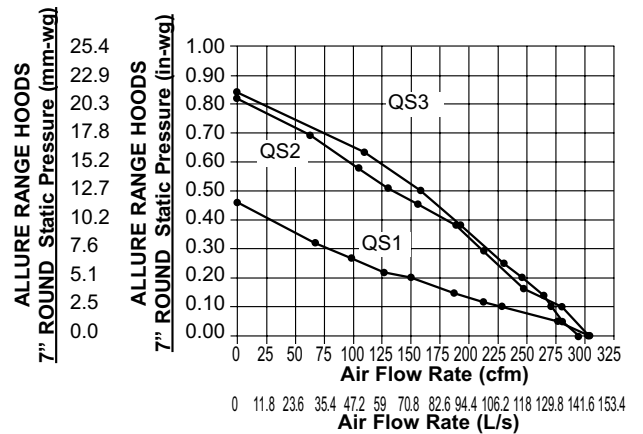
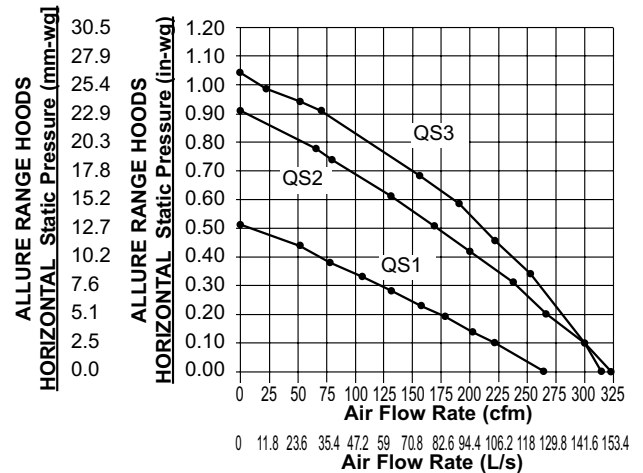
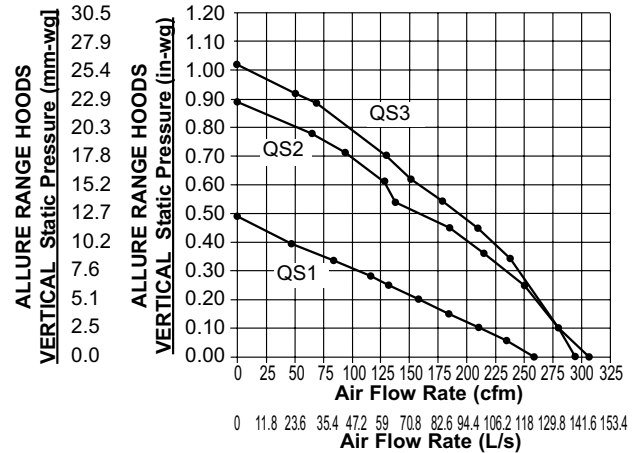
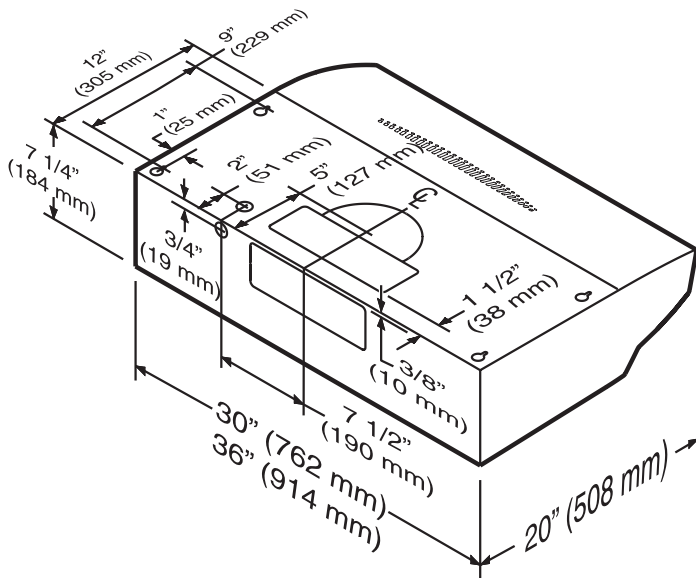
SPECIFICATIONS

	MODEL		
	QS1	QS2	QS3
VOLTS	120	120	120
Hz	60	60	60
AMPS	1.8	2.0	2.9
Max. CFM (l/s)	220 (104)	300 (142)	300* (142)
SONES (Norm.)	1.5	0.9	0.4
SONES (High)	5.0	4.5	4.5*
Controls	2-sp rocker	3-sp electronic	4-sp electronic
Halogen Flood Light	PAR20†	PAR20†	PAR20†
Charcoal Filter	BPSF‡	BPSF‡	BPSF‡
DuPont Teflon®	No	Yes	Yes
Broan Heat Sentry™	No	Yes	Yes

*430 CFM (203 l/s) & 8.0 Sones in Boost mode (QS3 only)

†2 bulbs required (not included)

‡Purchase separately for non-ducted installation



HVI-2100 CERTIFIED RATINGS comply with the new testing technologies and procedures prescribed by the Home Ventilation Institute, for off-the-shelf products, as they are available to consumers. Product performance is rated at 0.1 in. static pressure, based on tests conducted in AMCA's state-of-the-art laboratory. Sones are a measure of humanly produced loudness, based on laboratory measurements.

