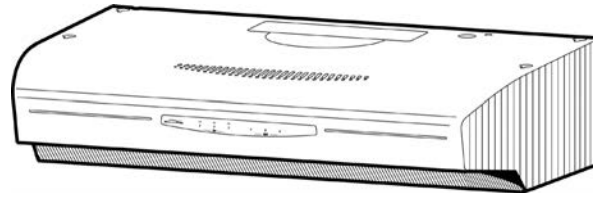


ALLURE® QS3 SERIES RANGE HOOD



Page 1

Patent No.:
US D450, 829 S

READ AND SAVE THESE INSTRUCTIONS

⚠ FOR DOMESTIC COOKING ONLY ⚠

WARNING



TO REDUCE THE RISK OF FIRE, ELECTRIC SHOCK, OR INJURY TO PERSONS, OBSERVE THE FOLLOWING:

1. Use this unit only in the manner intended by the manufacturer. If you have questions, contact the manufacturer at the address or telephone number listed in the warranty.
2. Before servicing or cleaning unit, switch power off at service panel and lock the service disconnecting means to prevent power from being switched on accidentally. When the service disconnecting means cannot be locked, securely fasten a prominent warning device, such as a tag, to the service panel.
3. Installation work and electrical wiring must be done by a qualified person(s) in accordance with all applicable codes and standards, including fire-rated construction codes and standards.
4. Sufficient air is needed for proper combustion and exhausting of gases through the flue (chimney) of fuel burning equipment to prevent backdrafting. Follow the heating equipment manufacturer's guideline and safety standards such as those published by the National Fire Protection Association (NFPA), and the American Society of Heating, Refrigeration and Air Conditioning Engineers (ASHRAE), and the local code authorities.
5. When cutting or drilling into wall or ceiling, do not damage electrical wiring and other hidden utilities.
6. To reduce the risk of fire or electric shock, do not use this range hood with an additional speed control device.
7. Ducted fans must always be vented to the outdoors.
8. To reduce the risk of fire, use only metal ductwork.
9. Use with approved cord-connection kit only.
10. This unit must be grounded.

TO REDUCE THE RISK OF A RANGE TOP GREASE FIRE:

1. Never leave surface units unattended at high settings. Boilovers cause smoking and greasy spillovers that may ignite. Heat oils slowly on low or medium settings.
2. Always turn hood ON when cooking at high heat or when cooking flaming foods.
3. Clean ventilating fans frequently. Grease should not be allowed to accumulate on fan or filter.
4. Use proper pan size. Always use cookware appropriate for the size of the surface element.

TO REDUCE THE RISK OF INJURY TO PERSONS IN THE EVENT OF A RANGE TOP GREASE FIRE, OBSERVE THE FOLLOWING:*

1. SMOTHER FLAMES with a close-fitting lid, cookie sheet, or metal tray, then turn off the burner. BE CAREFUL TO PREVENT BURNS. If the flames do not go out immediately, EVACUATE AND CALL THE FIRE DEPARTMENT.
2. NEVER PICK UP A FLAMING PAN — You may be burned.
3. DO NOT USE WATER, including wet dishcloths or towels - violent steam explosion will result.
4. Use an extinguisher ONLY if:
 - A. You know you have a Class ABC extinguisher and you already know how to operate it.
 - B. The fire is small and contained in the area where it started.
 - C. The fire department is being called.
 - D. You can fight the fire with your back to an exit.

* Based on "Kitchen Fire Safety Tips" published by NFPA.

CAUTION



1. For indoor use only.
2. For general ventilating use only. Do not use to exhaust hazardous or explosive materials and vapors.
3. To avoid motor bearing damage and noisy and/or unbalanced impellers, keep drywall spray, construction dust, etc. off power unit.
4. For best capture of cooking impurities, your range hood should be mounted so that the top of the hood is 24-30" above the cooking surface.
5. Please read specification label on product for further information and requirements.

Installer: Leave this manual with the homeowner.

Homeowner: Operating and Cleaning information on page 6.

NOTE

If hood is to be installed Non-Ducted:
Purchase a set of (2) non-ducted filters from your local distributor or retailer and attach them to the aluminum mesh filters.

TABLE OF CONTENTS

This manual is divided into sections as follows:

"PREPARE HOOD LOCATION"

Run ductwork from roof or wall cap, and electrical wiring from service panel - to installation location

"PREPARE THE HOOD"

Get your hood ready for installation

"CONNECT WIRING"

Make electrical wiring connections to hood

"INSTALL HOOD"

Secure hood to cabinet and ductwork - install bulbs and filters

"OPERATION"

How to use the hood controls

"CLEANING"

Keep your hood in top working condition

"SERVICE PARTS"

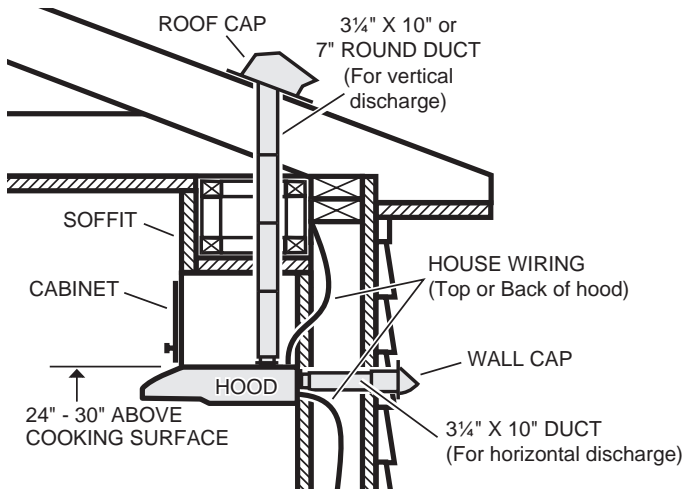
Part numbers and exploded view of hood components

"WARRANTY"

One-year limited warranty and how to contact us

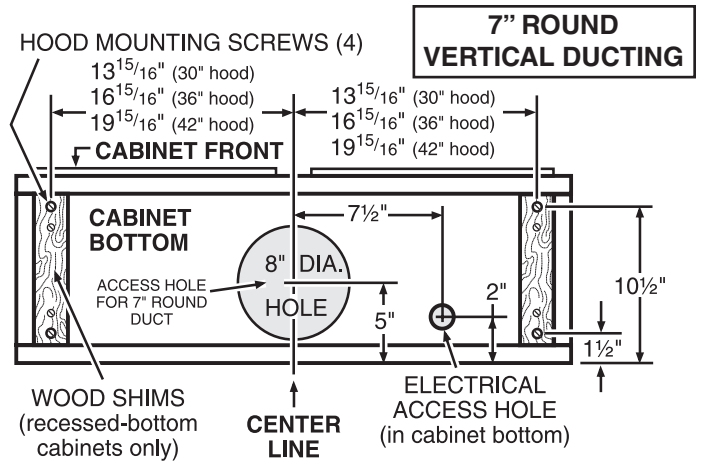
Register your product online at: www.broan.com/register

PREPARE HOOD LOCATION



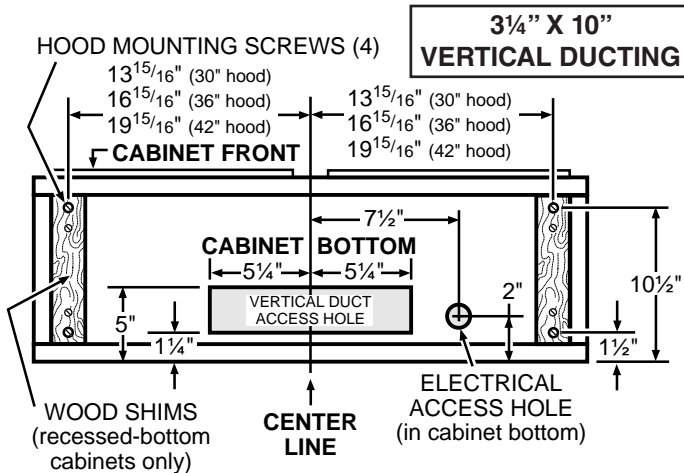
- 1 Determine whether hood will discharge vertically (3 1/4" x 10" or 7" Round), or horizontally (3 1/4" x 10" only). For vertical or horizontal discharge, run ductwork between the hood location and a roof cap or wall cap. For best results, use a minimum number of transitions and elbows.
- 2 Use diagrams, below, for proper placement of ductwork and electrical cutout in cabinet or wall. For a non-ducted installation, DO NOT cut a duct access hole.

PREPARE HOOD LOCATION

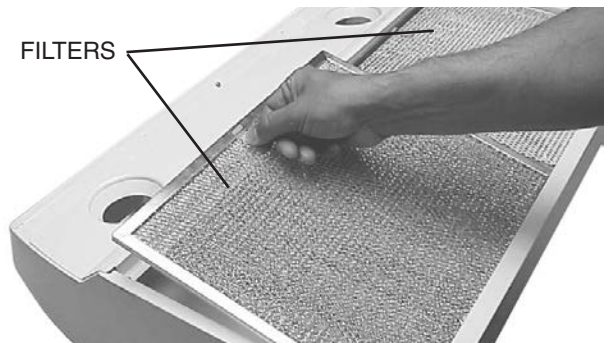
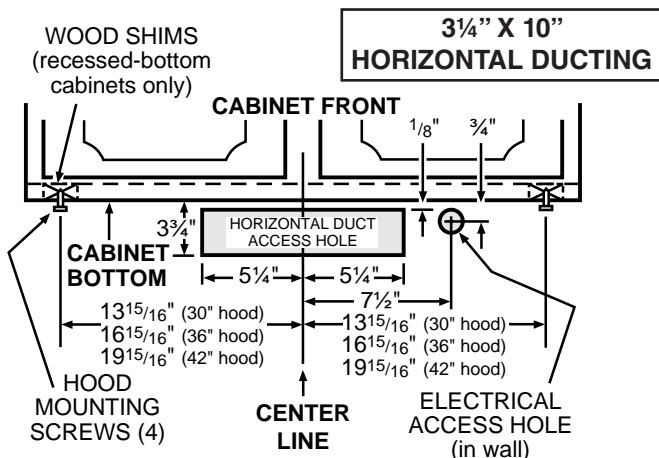


- 3 Run house wiring between service panel and hood location.

PREPARE THE HOOD



- 1 Remove **7" Round Duct Plate** from top of hood. Set duct plate aside - with mounting screws.



- 2 Remove tape holding **Filters** in place. Pull down on filter tabs or finger holes and lift filters out. Set filters aside.

PREPARE THE HOOD

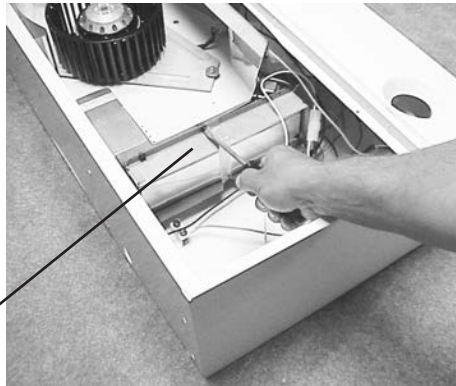
- 3** Remove **Teflon®-coated bottom cover** from hood. Set cover and mounting screws aside.

Teflon® is a registered trademark of DuPont.



TEFLON®-COATED BOTTOM COVER
(Held in place with 2 screws)

- 4** Remove **Damper/Duct Connector** from inside the hood. Set connector aside - with mounting screws and parts bag.



DAMPER/
DUCT
CONNECTOR

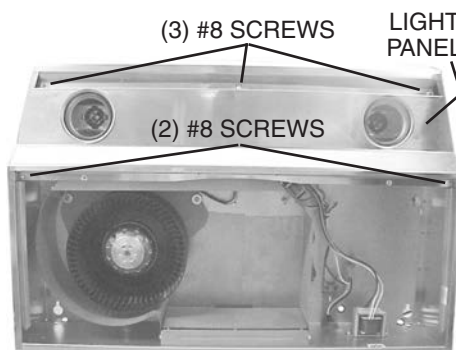
- 5** Remove either top or back wiring knock-out and install approved **Electrical Cable Clamp**.



ELECTRICAL CABLE CLAMP

Non-Ducted Installation - Skip to Step 15.

The following Steps (6 thru 14) are for DUCTED INSTALLATION ONLY.

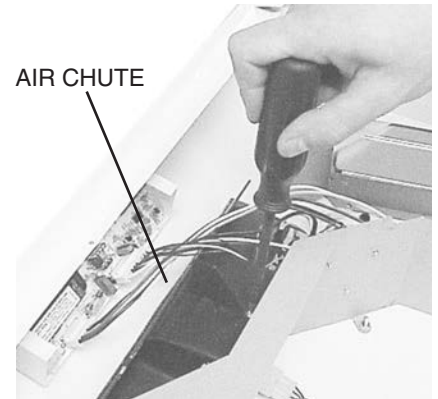


- 6** Remove **Light Panel** - held in place with (3) #8 screws and (2) #8 screws. Disconnect light assembly wire harness (white connector).

PREPARE THE HOOD

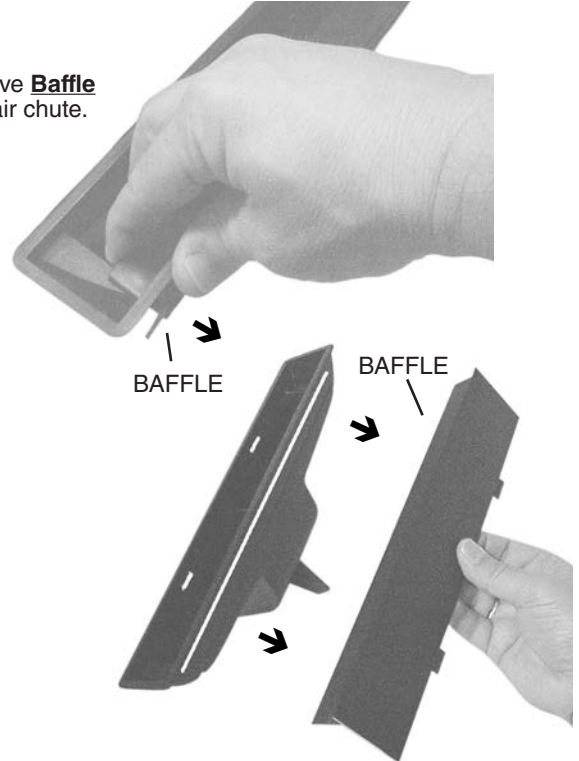
- 7** Remove **Air Chute** - held in place with one (1) screw.

NOTE: Be careful not to disconnect any wires.



AIR CHUTE

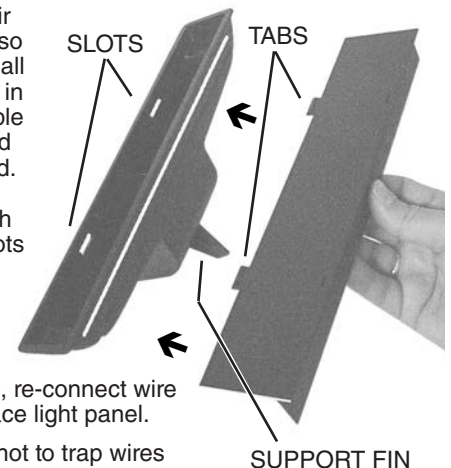
- 8** Remove **Baffle** from air chute.



BAFFLE

BAFFLE

- 9** Rotate baffle. Re-insert baffle into air chute (as shown) so that baffle **tabs** fit all the way into **slots** in air chute. An audible "click" will be heard when fully installed. This will close off the air flow through the non-ducted slots on top of hood.



SLOTS

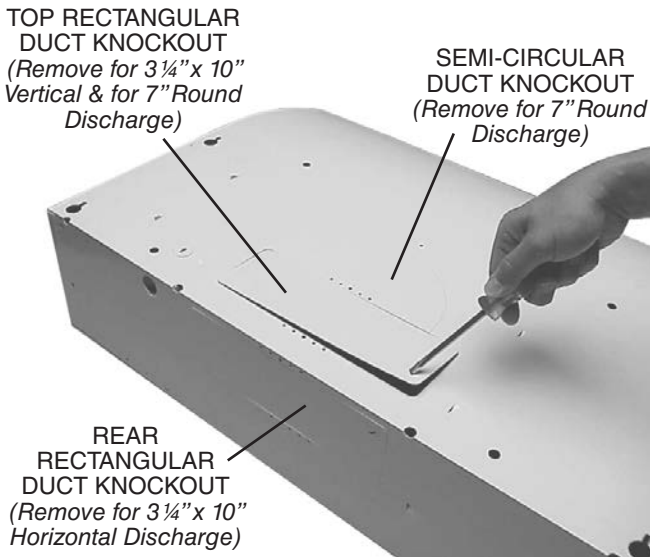
TABS

- 10** Re-install air chute, re-connect wire harness, and replace light panel.

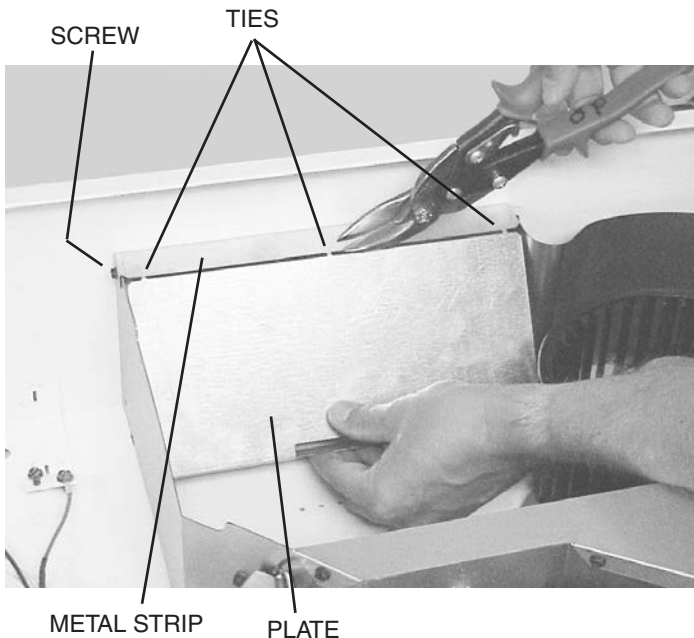
NOTE: Be careful not to trap wires between **support fin** and light panel.

SUPPORT FIN

PREPARE THE HOOD

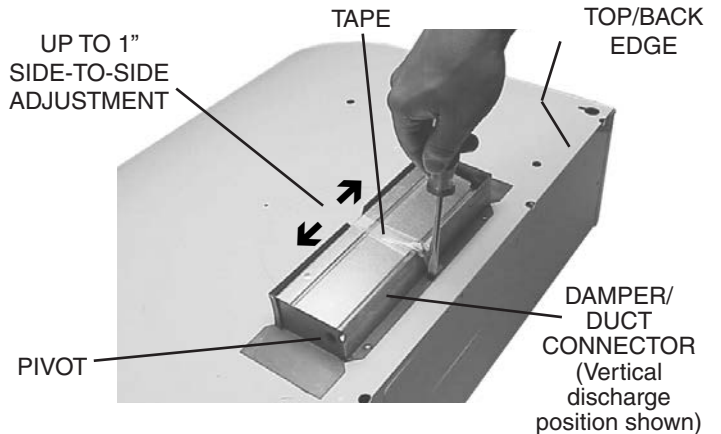


- 11** Remove appropriate **Duct Knockout(s)** from top or back of hood.



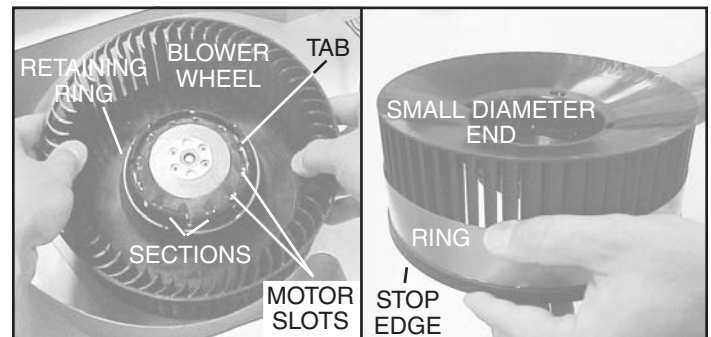
- 12** Horizontal Discharge Only: Remove the **Plate** in front of the horizontal discharge knockout. Cut the **Ties**, lift plate out, and discard plate. DO NOT REMOVE the **Metal Strip** held in place with two **Screws**.

PREPARE THE HOOD



- 13** 3 1/4" x 10" Ducted Discharge Only: Remove **Tape** from damper flap and attach **Damper/Duct Connector** over knockout opening with screws removed in Step 4 under "PREPARE THE HOOD". Make sure damper **Pivot** is nearest to **Top/Back Edge** of hood.
- 14** 7" Round Ducted Discharge Only: Re-install **7" Round Duct Plate** removed in Step #1 under "PREPARE THE HOOD". Install a 7" round damper (purchase separately). Damper flap must open freely in direction of airflow (away from range hood).

NOTE To accommodate off-center ductwork, the Damper/Duct Connector can be installed up to 1-inch on either side of hood center or the 7" Round Duct Plate can be installed up to 1/2" on either side of hood center. In extreme off-center installations, one end of the duct connector may need to be trimmed to clear the electrical cable clamp.



- 15** Non-Ducted Installations Only: Require a **Performance Ring** to be attached to the blower wheel.

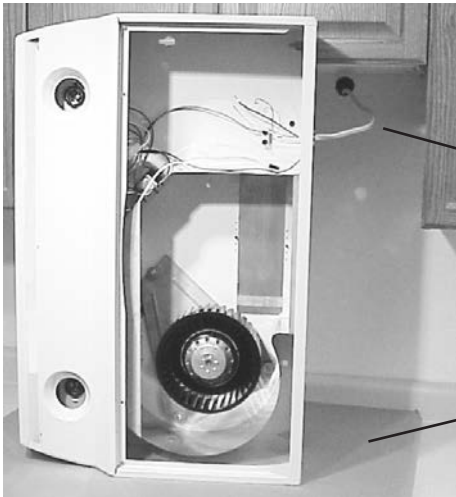
To install ring:

1. Remove the **Blower Wheel** by rocking it side to side and applying a slight force to pull wheel from motor. Remove **Retaining Ring** if necessary.
2. Slide the ring onto the **Small Diameter End** of the wheel and down to the **Stop Edge** of the wheel.
3. Reassemble wheel to motor. Make sure **Tab** on wheel fits into one of the **Motor Slots**.
4. Push wheel down until it is locked in place.
5. Check that wheel is properly positioned as shown. Press **Sections** into place if necessary. Make sure wheel turns freely.

CONNECT WIRING



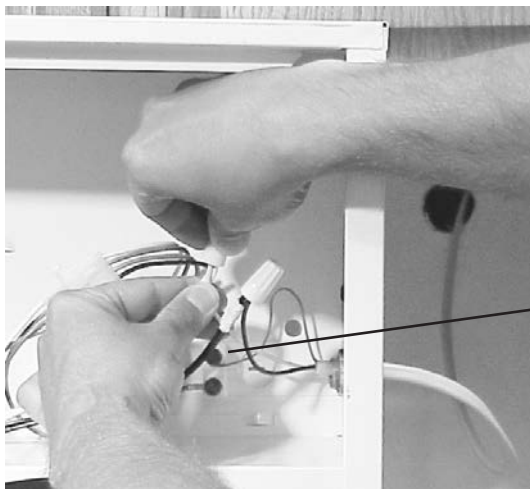
WARNING: To reduce the risk of electric shock, make sure power is switched off at the service panel. Lock or tag service panel to prevent power from being switched on accidentally.



HOUSE
WIRING
(120 VAC)

CARDBOARD
(Use to protect
cooktop)

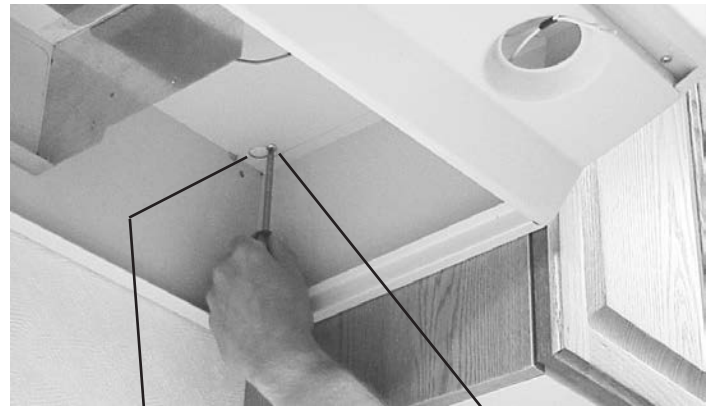
- 1 Connect **House Wiring** (120 VAC) to hood. Use a piece of **Cardboard** to protect the cooktop, if necessary.



GREEN
GROUND
SCREW

- 2 Connect house black to hood black wire, house white to hood white wire, and house ground under **Green Ground Screw**. Securely tighten cable clamp onto house wiring.

INSTALL HOOD



KEYHOLE (4)

MOUNTING SCREW (4)

- 1 Hang hood from (4) **Mounting Screws**. Slide hood towards wall until mounting screws are engaged in narrow end of (4) **Keyholes**. Tighten mounting screws securely. A long screwdriver works best.
- 2 Replace bottom cover.



DUCT
TAPE

- 3 Connect ductwork to hood. Use **Duct Tape** to make joints secure and air tight.



PAR20,
50W MAX.
HALOGEN
BULB (2)
- or -
R16,
40W MAX.
INCANDESCENT
BULB (2)

- 4 Install (2) PAR20, 50 W Maximum **Halogen Bulbs** or (2) R16, 40 W Maximum **Incandescent Bulbs**. Purchase bulbs separately.



CAUTION: Bulbs may be hot! Refer to bulb packaging for further information.

- 5 Replace filters, turn on power at service panel, and test for proper operation.

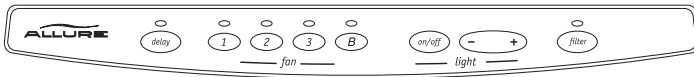
NON-DUCTED FILTERS

If hood is to be installed Non-Ducted:

Purchase a set of (2) Non-Ducted Filters from your local distributor or retailer and attach them to the aluminum mesh filters.

NOTE: For models that are installed in the non-ducted mode, the most effective operation is achieved at speeds 1 and 2. These speeds provide the most efficient and quiet operation during cooking, while maximizing the benefits of the recirculating filtration system.

OPERATION



Fan: 4 push button switches. Push any button to select one of the four fan speeds. Press another button to change fan speed. Push the same button to turn fan off. A light above each fan button indicates the fan speed.

Lights: Press “on/off” button and lights will come on at their previous light level. Press button again to turn lights off. To increase light level, press the “+” button. To reduce light level, press the “-” button. There are 3 light levels to select.

Delay Off: While fan is running, press the “delay” button to allow the fan to run for 10 minutes and then turn itself off.

Filter Change Indicator: The light above “filter” will come on when it is time to clean your grease filters or check your non-ducted filters. After replacing the cleaned, or new filters, press the “filter” button to turn off the indicator light.

Heat Sentry System: Your range hood is equipped with an advanced Heat Sentry system.

The advanced Heat Sentry system monitors temperature and automatically adjust the fan to the appropriate setting.

1) If the fan is on, the Heat Sentry system will increase the fan setting when the temperature is elevated. If the temperature continues to rise, the Heat Sentry system will continue to increase the fan setting until the temperature is stabilized or reduced. The flashing light above the fan button shows the Heat Sentry system fan setting. Once the temperature has reduced, the Heat Sentry system will change the fan to the original setting.

2) If the fan is on or off, the Heat Sentry system will automatically turn the fan on at its highest speed when the temperature is above normal. When the Heat Sentry system is on, the light above the fan button B (Boost) will flash on and off. After the temperature has lowered to normal, the fan will change to the setting prior to the Heat Sentry turning on.

Fuse: The hood control contains a fuse to protect it from power surges. If the fuse has opened (blown), the green fan-level indicators will operate properly when the fan buttons/switches are pressed - but the fan and lights will not turn on.

The fuse is a 5 x 20 mm, 10 Amp, Fast-Acting, 125V (min.). Common manufacturer and part numbers are: Littlefuse, 217010; Bussmann, GMA10A; Wickmann, 1942100. Radio Shack, Digikey (1-800-344-4539), and most electronic supply stores have them in stock.

To replace the fuse:

1. Disconnect power at service entrance.
2. Remove filters, bottom panel, light wire harness, and air chute.
3. Remove and inspect fuse. If it is not open (blown), additional diagnostics need to be done.

4. Install new fuse.
5. Re-assemble air chute, light wire harness, bottom panel, and filters.
6. Turn on power and check hood/control operation.

NOTE:

This hood utilizes an offset blower design to achieve greater performance and lower sound levels. As a result, you may notice that cooking impurities are more attracted to one side or appear to be pulled-in faster than they appear on the opposite side. This is completely normal. The hood has been designed and tested to provide good capture of cooking impurities and odors under all normal cooking conditions regardless of the cooking location on the cooktop. Please note that cooking on the rear burners will always result in the best capture results, regardless of the hood design.

CLEANING



WARNING: To reduce the risk of electric shock, disconnect from power supply before cleaning.

Aluminum mesh filters: Clean frequently using hot water and a mild detergent. Filters are dishwasher safe. Clean all-metal filters in the dishwasher using a non-phosphate detergent. Discoloration of the filter may occur if using phosphate detergents, or as a result of local water conditions - but this will not affect filter performance. This discoloration is not covered by the warranty.

Charcoal filters: Clean filter surfaces frequently with a damp cloth and a mild detergent. DO NOT immerse filters in water or put in dishwasher. The special “Clean Sense” feature indicates when the filter is to be replaced. The dotted lines on the indicator strip will change to solid wide lines when it is time to change the filter. The “Clean Sense” feature works best when facing toward the cooking surface.

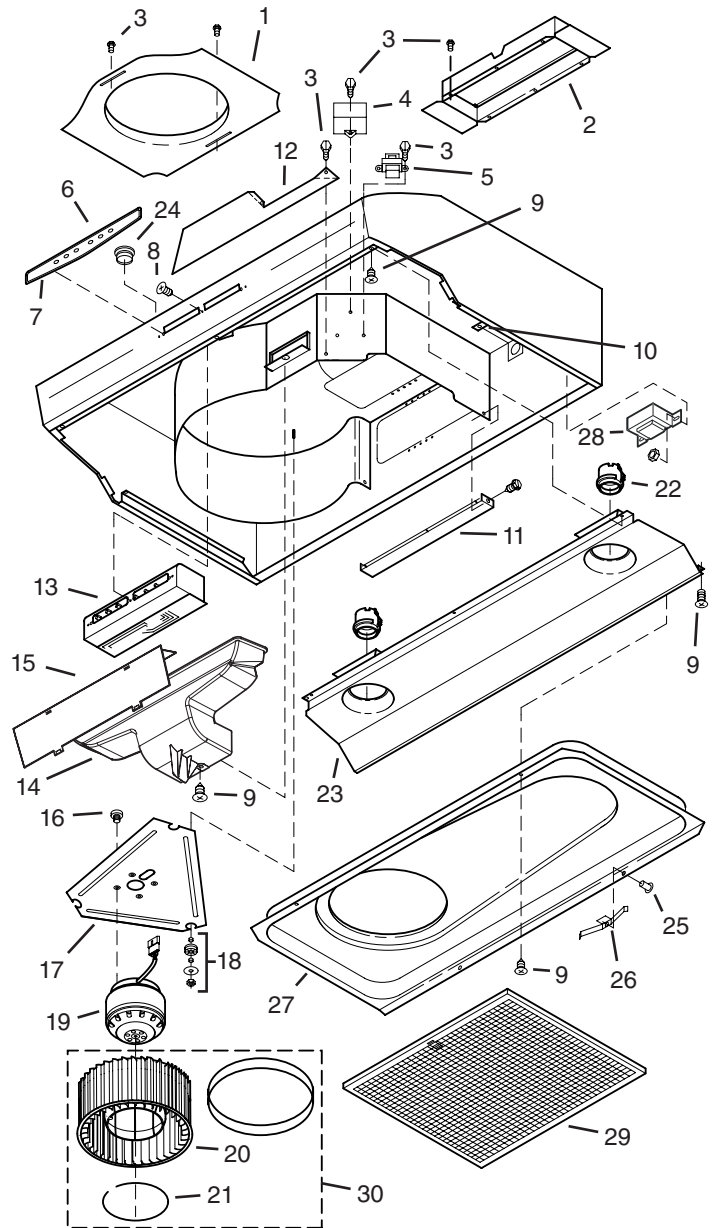
To clean hood: Remove filters. Use a damp cloth and a mild detergent to wipe all grease-laden surfaces. Do not use abrasive cloth, steel wool pads, or scouring powder on the Teflon®-coated bottom cover or on any painted surface. Use care when cleaning blower wheel - it must not become bent or misaligned. DO NOT ALLOW WATER TO ENTER MOTOR. Make sure all surfaces are completely dry before re-installing filters and restoring power.

Motor is permanently lubricated. Do not oil or disassemble motor.

Teflon® is a registered trademark of DuPont.

SERVICE PARTS

KEY NO.	PART NO.	DESCRIPTION
1	R680508	7" Round Duct Plate (includes hardware)
2	R740013	Damper/Duct Connector (includes hardware)
3	R602017	Screw, #8-18 x 1/4 Hex* (2 in package)
4	R334126	Motor Capacitor (includes wire nuts & hardware)
5	R501031	Isolation Transformer
6	R627505	Nameplate, White
	R627506	Nameplate, Almond
	R627507	Nameplate, Black
	R627529	Nameplate, Biscuit
7	R169011	Control Panel, White (includes Key No. 6 & hardware)
	R169012	Control Panel, Almond (includes Key No. 6 & hardware)
	R169013	Control Panel, Black (includes Key No. 6 & hardware)
	R169014	Control Panel, Biscuit (includes Key No. 6 & hardware)
8	R601535	Screw for Plastic, #6 x 1/2 Flat Hd. (3 in package)
9	R602534	Screw, #8-18 x 3/8 (2 in package)
10	R602533	Ground Screw
11	R680505	Scroll Cover, Outlet (includes hardware)
12	R680507	Scroll Cover, Front (includes hardware)
13	R111653	Control Assembly (includes Key Nos. 6, 7 & hardware)
14	R401647	Air Chute Assembly (includes Key No. 15 & hardware)
15	R401646	Baffle
16	R601536	Screw, Metric M4 x 6mm (4 in package)
17	R651973	Motor Plate (Includes Key No. 18)
18	R169009	Motor Plate Mounting Kit (3 of each part)
19	R520133	Motor (includes Key No. 16)
20	R531068	Blower Wheel (Includes Key No. 21)
21	R607215	Retaining Ring
22	R111630	Lamp Socket Assembly
23	R7201731	Light Panel, 30 in. White
	R7201751	Light Panel, 36 in. White
	R7201771	Light Panel, 42 in. White
	R7201732	Light Panel, 30 in. Almond
	R7201752	Light Panel, 36 in. Almond
	R7201772	Light Panel, 42 in. Almond
	R7201734	Light Panel, 30 in. Black
	R7201754	Light Panel, 36 in. Black
	R7201774	Light Panel, 42 in. Black
	R7201735	Light Panel, 30 in. Biscuit
	R7201755	Light Panel, 36 in. Biscuit
	R7201775	Light Panel, 42 in. Biscuit
	R720174	Light Panel, 30 in. Stainless
	R720176	Light Panel, 36 in. Stainless
	R720178	Light Panel, 42 in. Stainless
24	R607660	Hole Plug (1 req.)
25	*	Pop Rivet, .125D (3 req.)
26	R169016	Filter Spring Kit
27	R680512	Bottom Cover, 30 in. (includes Key Nos. 9, 25, & 26)
	R680521	Bottom Cover, 36 in. (includes Key Nos. 9, 25, & 26)
	R680528	Bottom Cover, 42 in. (includes Key Nos. 9, 25, & 26)
28	R501035	Autotransformer (includes hardware)
29	99010305	Aluminum Mesh Filter, 30 in. (2 in package)
	99010306	Aluminum Mesh Filter, 36 in. (2 in package)
	99010307	Aluminum Mesh Filter, 42 in. (2 in package)
30	R730111	Non-Ducted Blower Wheel Assembly (includes Key Nos. 20 & 21)
**	99010308	Non-ducted Filter Kit, 30 in.
**	99010309	Non-ducted Filter Kit, 36 in.
**	99010310	Non-ducted Filter Kit, 42 in.
**	R111668	Wire Harness
**	R564074	Control Fuse, 10-Amp



Replacement parts
can now be ordered
on our website.
Please visit us at
www.Broan.com

Order replacement parts by PART NO. - not by KEY NO.

* Standard hardware - may be purchased locally.

** Not illustrated - purchase separately.

WARRANTY

BROAN-NUTONE ONE YEAR LIMITED WARRANTY

Broan-NuTone warrants to the original consumer purchaser of its products that such products will be free from defects in materials or workmanship for a period of one year from the date of original purchase. THERE ARE NO OTHER WARRANTIES, EXPRESS OR IMPLIED, INCLUDING, BUT NOT LIMITED TO, IMPLIED WARRANTIES OF MERCHANTABILITY OR FITNESS FOR A PARTICULAR PURPOSE.

During this one-year period, Broan-NuTone will, at its option, repair or replace, without charge, any product or part which is found to be defective under normal use and service.

THIS WARRANTY DOES NOT EXTEND TO FLUORESCENT LAMP STARTERS, TUBES, HALOGEN AND INCANDESCENT BULBS, FUSES, FILTERS, DUCTS, ROOF CAPS, WALL CAPS AND OTHER ACCESSORIES FOR DUCTING. This warranty does not cover (a) normal maintenance and service or (b) any products or parts which have been subject to misuse, negligence, accident, improper maintenance or repair (other than by Broan-NuTone), faulty installation or installation contrary to recommended installation instructions.

The duration of an implied warranty is limited to the one-year period as specified for the express warranty. Some states do not allow limitation on how long an implied warranty lasts, so the above limitation may not apply to you.

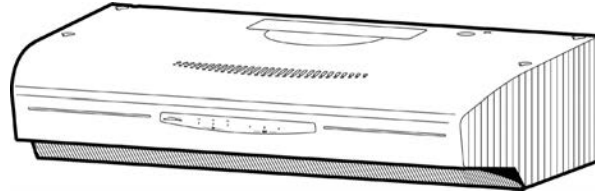
BROAN-NUTONE'S OBLIGATION TO REPAIR OR REPLACE, AT BROAN-NUTONE'S OPTION, SHALL BE THE PURCHASER'S SOLE AND EXCLUSIVE REMEDY UNDER THIS WARRANTY. BROAN-NUTONE SHALL NOT BE LIABLE FOR INCIDENTAL, CONSEQUENTIAL OR SPECIAL DAMAGES ARISING OUT OF OR IN CONNECTION WITH PRODUCT USE OR PERFORMANCE. Some states do not allow the exclusion or limitation of incidental or consequential damages, so the above limitation may not apply to you.

This warranty gives you specific legal rights, and you may also have other rights, which vary from state to state. This warranty supersedes all prior warranties.

To qualify for warranty service, you must (a) notify Broan-NuTone at the address or telephone number below, (b) give the model number and part identification and (c) describe the nature of any defect in the product or part. At the time of requesting warranty service, you must present evidence of the original purchase date.

Broan-NuTone LLC, 926 West State Street, Hartford, Wisconsin 53027 www.broan.com 800-558-1711

CAMPANA EXTRACTORA SERIE QS3 ALLURE®



Página 9

Patent No.:
US D450, 829 S

LEA Y CONSERVE ESTAS INSTRUCCIONES

! PARA COCINAR DOMÉSTICO SOLAMENTE. !

ADVERTENCIA

PARA REDUCIR EL RIESGO DE INCENDIO, CHOQUE ELECTRICO, O LESION A PERSONAS, PROCURE LO SIGUIENTE:

1. Utilice esta unidad sólo en la manera prescrita por el fabricante. Si tiene usted alguna pregunta, comuníquese con el fabricante a la dirección o el teléfono indicados en la garantía.
2. Antes de efectuar algún servicio o limpieza, se debe desconectar la corriente eléctrica en el armario de circuitos y asegurarlo con llave para evitar que la corriente sea conectada accidentalmente. Cuando no se puedan inmovilizar los medios de desconexión de servicio, pegue con seguridad un dispositivo de advertencia prominente, tal como una etiqueta, en el tablero de servicio.
3. Todo trabajo de instalación y cableado eléctrico debe ser realizado por personal calificado y de acuerdo con todos los códigos y normas pertinentes, incluyendo los códigos y normas relacionados con construcción clasificada para incendio.
4. Aire suficiente es necesario para facilitar la combustión adecuada y la salida apropiada de gases por la chimenea de la unidad y para evitar corrientes de aire invertidas. Siga las instrucciones y medidas de seguridad del fabricante del equipo y de las sociedades profesionales de equipos de calentadores y los reglamentos de seguridad locales.
5. A cortar o perforar la pared o el techo, no dañe el cableado eléctrico u otros servicios públicos ocultos a la vista.
6. Para reducir el riesgo de incendio o de descarga eléctrica, no utilice este ventilador con ningún dispositivo de una control de velocidad de estado sólido adicional.
7. Los abanicos con ducto deberán siempre tener una salida hacia el exterior.
8. Para reducir el riesgo de incendio, use sólo ductos de metal.
9. Uso con el kit aprobado del la conexión de la cuerda solamente.
10. Esta unidad se debe instalar con tierra efectiva.

PARA REDUCIR EL RIESGO DE INCENDIO DEBIDO A GRASA ACUMULADA EN LAS HORNILLAS:

1. Nunca deje sin atender las unidades de superficie cuando tengan ajustes altos. Los reboses pueden provocar humo y derrames grasosos que se pueden incendiar. Caliente lentamente el aceite en un ajuste bajo o medio.
2. Siempre ENCIENDA la campana cuando cocine con alta temperatura o cuando cocine alimentos que se puedan incendiar.
3. Limpie con frecuencia los ventiladores. No debe permitir que la grasa se acumule en el ventilador ni en el filtro.
4. Utilice un sartén de tamaño adecuado. Siempre utilice el utensilio adecuado al tamaño del elemento de superficie.

PARA REDUCIR EL RIESGO DE LESION A PERSONAS RESULTADO DE UN INCENDIO DEBIDO A GRASA ACUMULADA EN LAS HORNILLAS, PROCURE LO SIGUIENTE:*

1. AHOGUE LAS LLAMAS con una tapa ajustada o charola de metal, después apague la hornilla. TENGA CUIDADO A FIN DE EVITAR QUEMADURAS. Si las llamas no se apagan de inmediato, EVACUE Y AVISE A LOS BOMBEROS.
2. NO LEVANTE NUNCA UNA SARTEN QUE ESTE EN LLAMAS - Usted se podrá quemar.
3. NO UTILICE AGUA, incluyendo toallas de cocina mojadas - puede resultar una explosión de vapor violenta.
4. Utilice un extinguidor SOLAMENTE si:
 - A. Usted sabe que tiene un extinguidor de clas ABC y lo sabe utilizar.
 - B. El incendio es pequeño y contenido dentro del área donde se inició.
 - C. Los bomberos han sido avisados.
 - D. Usted puede combatir el incendio con una salida a su espalda.

* Basado en las recomendaciones para "Seguridad en la Cocina" publicadas por la NFPA de los EEUU.

PRECAUCION

1. Para el uso de interior solamente.
2. Solamente para uso general de ventilación. No utilice para descargar materiales o vapores riesgosos o explosivos.
3. Para evitar daños al motor y evitar que las navajas del abanico emitan mucho ruido o estén fuera de balance, mantenga el motor libre de pelusa, polvo, etc.
4. Para obtener mejores resultados en la captura de los vapores de la estufa, el parte superior del extractor debe montarse a entre 45.7 a 60.9 cm sobre las hornillas de la estufa.
5. Por favor lea la etiqueta con las especificaciones del equipo para otros requisitos y mayor información.

**A la persona que realiza la instalación:
Deje este manual con el dueño de la casa.
Al dueño de la casa: Las instrucciones de
operación y limpieza se encuentran en la
página 14.**

NOTA

Si la campana se va a instalar en un sistema sin conductos: Compre un juego de (2) filtros para sistemas sin conductos en la tienda distribuidora o minorista de su localidad y conéctelos en los filtros de malla de aluminio.

CONTENIDO

Este manual se divide en las siguientes secciones:

"PREPARACIÓN DEL LUGAR DONDE SE VA A INSTALAR LA CAMPANA"

Tienda de los conductos desde el techo o la tapa de pared, y haga la conexión eléctrica desde el panel de servicio hasta el sitio de la instalación.

"PREPARACIÓN DE LA CAMPANA"

Prepare la campana para su instalación

"CONEXIÓN ELÉCTRICA"

Haga las conexiones eléctricas hacia la campana

"INSTALACIÓN DE LA CAMPANA"

Asegure la campana en el gabinete y en el sistema de conductos. Instale focos y filtros.

"OPERACIÓN"

Cómo usar los controles de la campana

"LIMPIEZA"

Mantenga su campana en condiciones óptimas de funcionamiento

"PIEZAS DE REPUESTO"

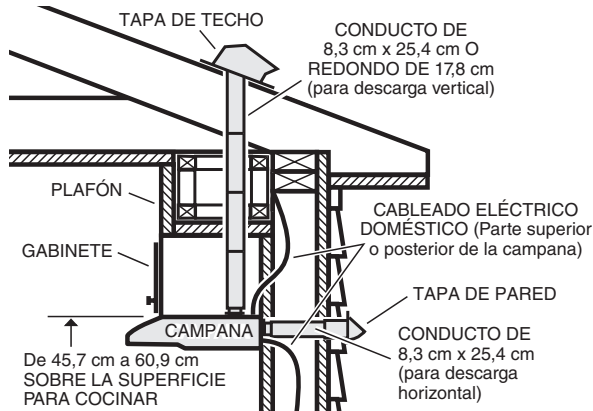
Número de las piezas y vista ampliada de los componentes de la campana

"GARANTÍA"

Garantía limitada de un año y cómo comunicarse con nosotros

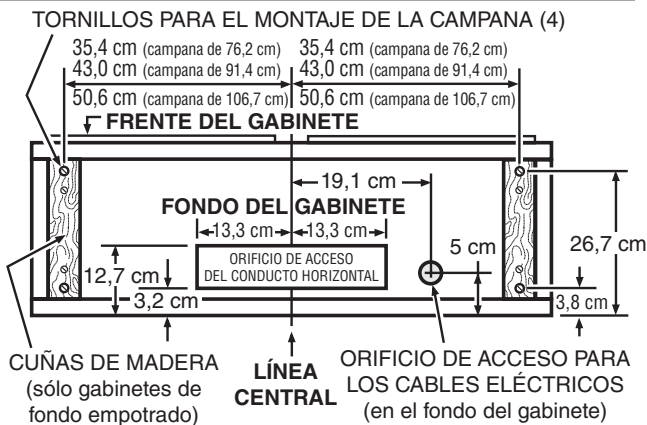
Registre su producto en línea en: www.broan.com/register

PREPARACIÓN DEL LUGAR DONDE SE VA A INSTALAR LA CAMPANA

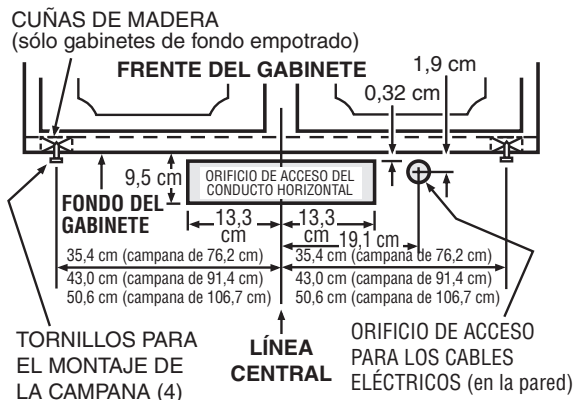


- 1 Determine si la descarga de la campana va a ser vertical [conductor de 8.3 cm x 25.4 cm (3 1/4" x 10") o conductor redondo de 17.8 cm (7")], horizontal [sólo conductor de 8.3 cm x 25.4 cm (3 1/4" x 10")] o si es un sistema sin conductos. En el caso de descarga vertical u horizontal, tienda los conductos entre el lugar donde va a instalar la campana y la tapa de techo o la tapa de pared. Para obtener los mejores resultados, utilice el número mínimo de transiciones y codos.
- 2 Utilice los siguientes diagramas para colocar adecuadamente los conductos y hacer el corte exacto para la conexión eléctrica en el gabinete o en la pared. En el caso de aquellas instalaciones en sistemas sin conductos, NO haga ningún orificio de acceso para el conductor.

SISTEMA VERTICAL DE CONDUCTOS DE 8.3 cm x 25.4 cm (3 1/4" x 10")

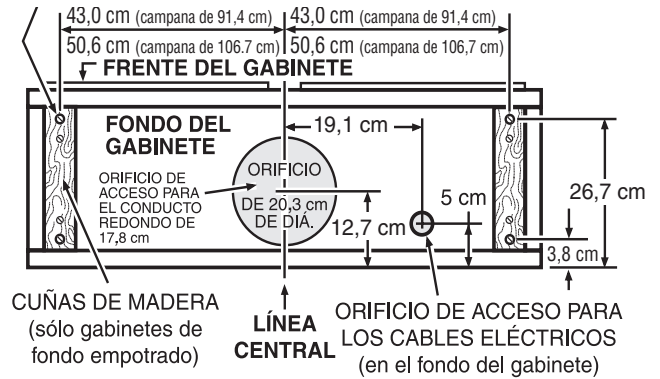


SISTEMA HORIZONTAL DE CONDUCTOS DE 8.3 cm x 25.4 cm (3 1/4" x 10")



PREPARACIÓN DEL LUGAR DONDE SE VA A INSTALAR LA CAMPANA

SISTEMA VERTICAL DE CONDUCTOS REDONDOS DE 17.8 CM (7")



- 3 Haga las conexiones del cableado doméstico entre el panel de servicio y el lugar donde va a instalar la campana.

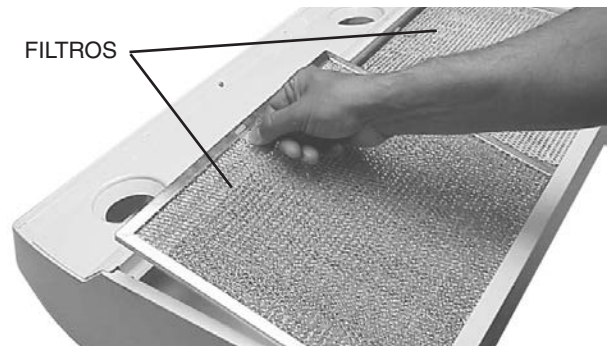
PREPARACIÓN DE LA CAMPANA

PLACA DEL CONDUCTO REDONDO DE 17.8 CM (7")



- 1 Quite la **placa del conductor redondo de 17.8 cm (7")** de la parte superior de la campana. Colóquela aparte, con los tornillos de montaje.

FILTROS



- 2 Quite la cinta que sujeta los **filtros** en su lugar. Hale hacia abajo sujetando las aletas del filtro o las cavidades para los dedos y saque los filtros. Coloque los filtros a un lado.

PREPARACIÓN DE LA CAMPANA

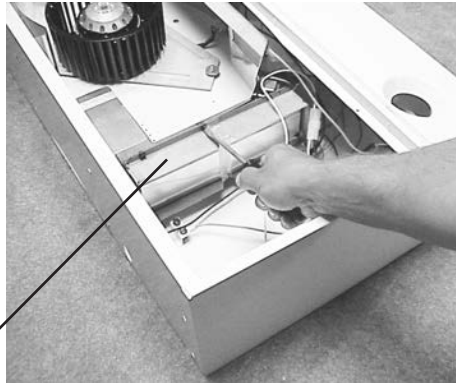
- 3** Quite la **Cubierta inferior recubierta de Teflón®** de la campana. Coloque a un lado la cubierta y los tornillos de montaje.



CUBIERTA INFERIOR RECUBIERTA DE TEFLON® (Se encuentra fija con 2 tornillos)

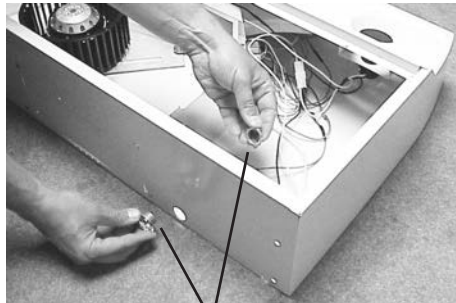
Teflon® es una marca comercial registrada de DuPont.

- 4** Quite el **conector del regulador de tiro/conector** del interior de la campana. Ponga aparte el conector, con los tornillos de montaje y la bolsa de piezas.



CONECTOR DEL REGULADOR DE TIRO/CONDUCTO

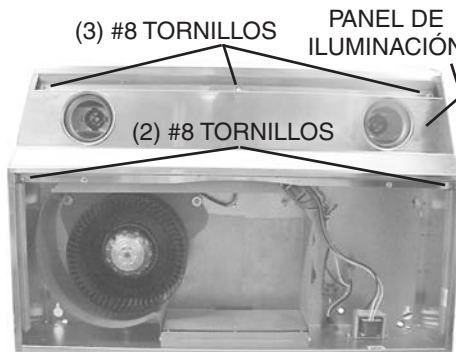
- 5** Quite el agujero ciego para los cables eléctricos, ya sea el superior o el posterior, e instale una **grapa para cable eléctrico** aprobada.



GRAPA DEL CABLE ELÉCTRICO

Para instalaciones sin conducto, pase a un paso 15.

Los siguientes pasos (del 6 al 14) son SÓLO PARA INSTALACIONES CON CONDUCTO.

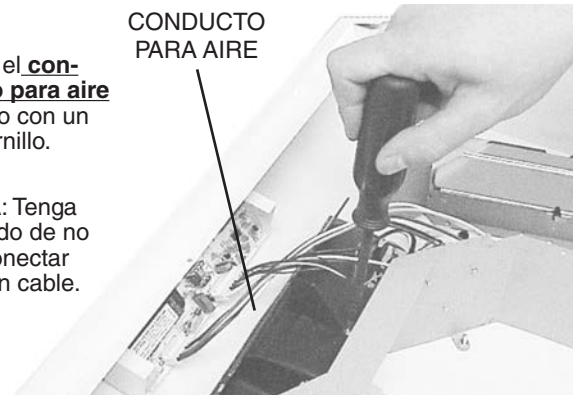


- 6** Quite el **panel de iluminación** - fijado con **(3) #8 tornillos** y **(2) #8 tornillos**. Desconecte el juego del arnés del alambre (conector blanco).

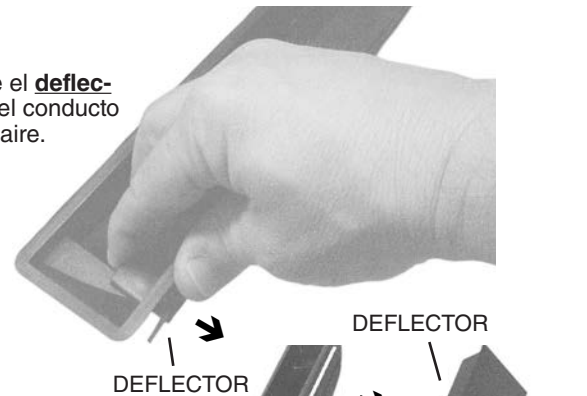
PREPARACIÓN DE LA CAMPANA

- 7** Quite el **conducto para aire** - fijado con un (1) tornillo.

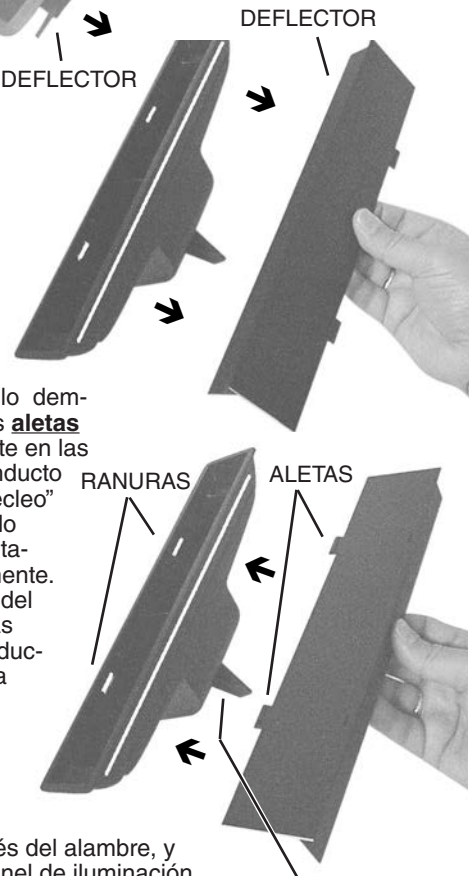
NOTA: Tenga cuidado de no desconectar ningún cable.



- 8** Quite el **deflector** del conducto para aire.



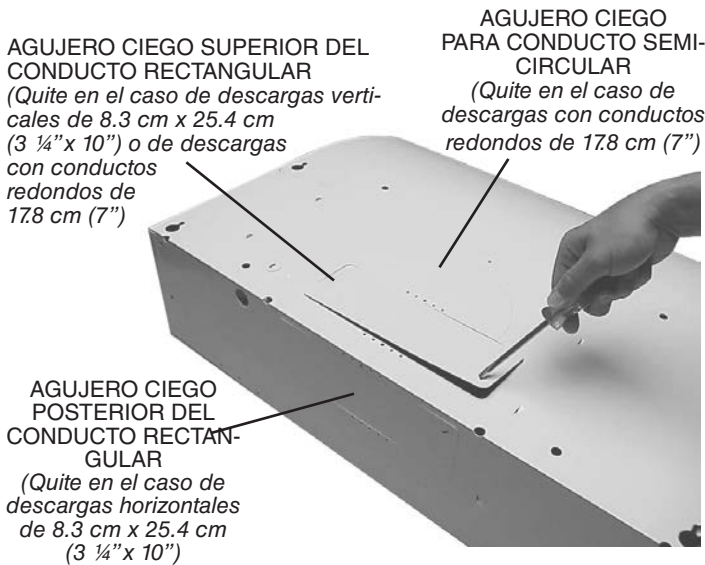
- 9** Gire el deflector. Vuelva a insertar el deflector en el conducto para aire de manera (según lo demostrado) que las **aletas** entren totalmente en las **ranuras** del conducto para aire. Un "tecleo" audible será oído cuando está instalado completamente. Esto se cerrará del aire atraviesa las ranuras sin conductos encima de la campana.



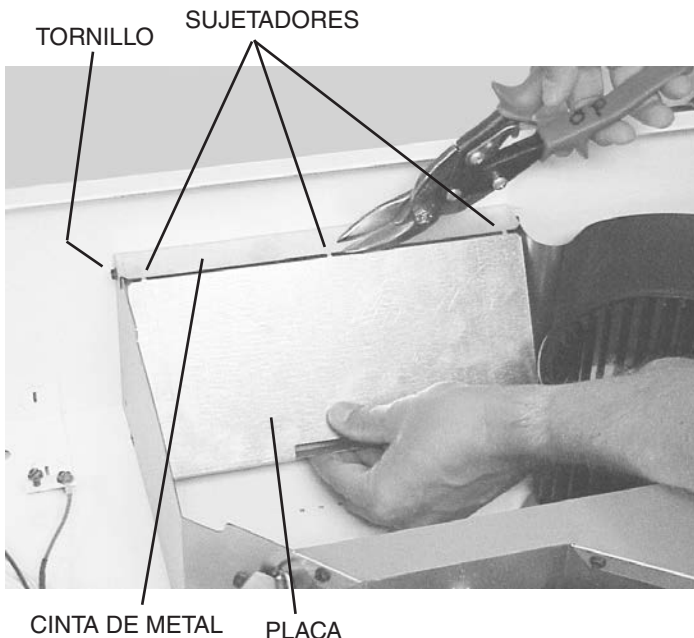
- 10** Reinstale el conducto para aire, vuelva a conectar el arnés del alambre, y sustituya el panel de iluminación.

NOTA: Tenga cuidado de que ninguno de los cables quede atrapado entre la **aleta de apoyo** y el panel de iluminación.

PREPARACIÓN DE LA CAMPANA

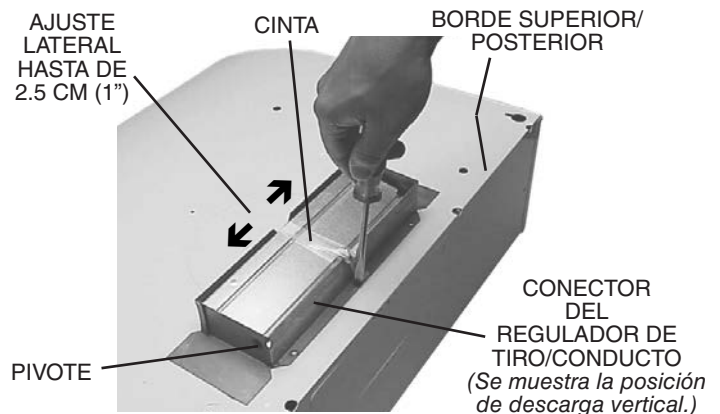


11 Quite el agujero o agujeros ciegos para los conductos apropiados de la parte superior o de la parte posterior de la campana.



12 Sólo para descarga horizontal: Quite la placa que se encuentra enfrente del agujero ciego para la descarga horizontal. Corte los sujetadores, levante la placa, sáquela y deséchela. **NO QUITÉ** la cinta de metal que está sujeta con dos tornillos.

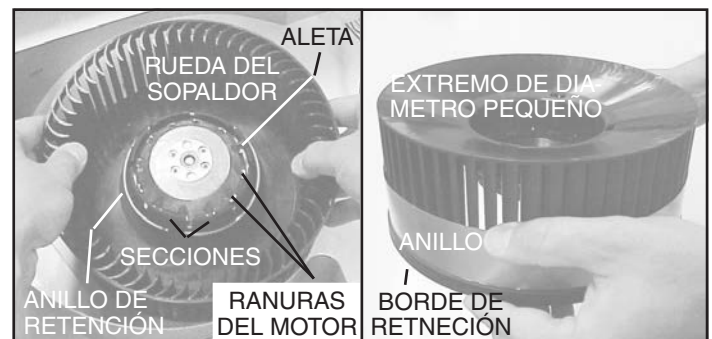
PREPARACIÓN DE LA CAMPANA



13 Sólo para descargas con conductos de 8.3 cm x 25.4 cm (3 1/4" x 10"): Quite la cinta de la aleta del regulador de tiro y coloque el regulador de tiro/conector del conducto sobre la abertura del agujero ciego, con los tornillos que quitó en el paso 4 bajo "PREPARACIÓN DE LA CAMPANA". Asegúrese de que el pivote del regulador de tiro quede lo más cerca posible del borde superior/posterior de la campana.

14 Sólo para descargas con conducto redondo de 17.8 cm (7"): Vuelva a instalar la placa del conducto redondo de 17.8 cm (7") que quitó en el paso 1 bajo "PREPARACIÓN DE LA CAMPANA". Instale un regulador de tiro redondo de 7" (se compra por separado). La aleta del regulador se debe abrir libremente en dirección del flujo de aire (en sentido contrario a la campana de la estufa).

NOTA Para acomodar los conductos descentrados, el conector del regulador de tiro/conducto se pueden instalar a una distancia hasta de 2.5 cm (1") desde el centro de la campana hacia cualquier lado o la placa del conducto redondo de 17.8 cm (7") se pueden instalar a una distancia hasta de 1.3 cm (1/2") desde el centro de la campana hacia cualquier lado. En instalaciones excéntricas extremas, un extremo del conector de regulador de conducto puede necesitar ser cortado al claro la grapa para cable eléctrico.



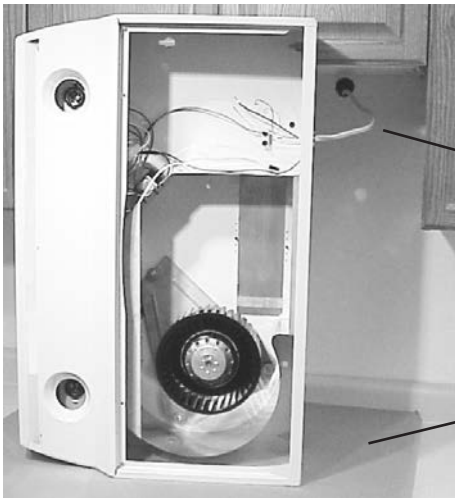
15 Las instalaciones don sistemas sin conductos solamente: Requieren que se conecte un anillo de rendimiento en la rueda del soplador. Para instalar el anillo:

1. Saque la rueda del soplador moviéndola de lado a lado y aplicnado una fuerza leve para separar la rueda del motor. Quite el anillo de retención, en caso de necesidad.
2. Deslice el anillo dentro del extremo de diámetro pequeño de la rueda y hacia abajo, hacia el borde de retención de la rueda.
3. Vuelva montar la rueda en el motor. Asegúrese de que la aleta de la rueda quede dentro de una de las ranuras del motor.
4. Empuje la rueda hacia abajo hasta que quede fija en su lugar.
5. Verifique que la reda esté colocada adecuadamente, como se muestra. Presione las secciones en su lugar, si es necesario. Asugúrese de que la rueda gire libremente.

CONEXIÓN ELÉCTRICA



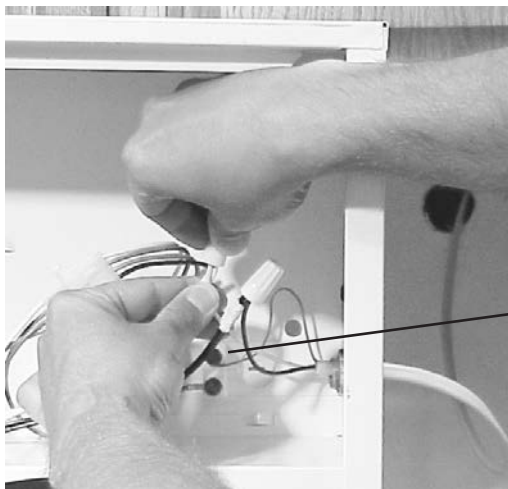
ADVERTENCIA: Para reducir el riesgo de descargas eléctricas, asegúrese de apagar el interruptor de alimentación eléctrica en el panel de servicio. Bloquee o rotule el panel de servicio para evitar que alguien conecte accidentalmente la energía eléctrica.



CABLEADO DOMÉSTICO (120 VCA)

CARTÓN
(Para proteger la superficie de la estufa.)

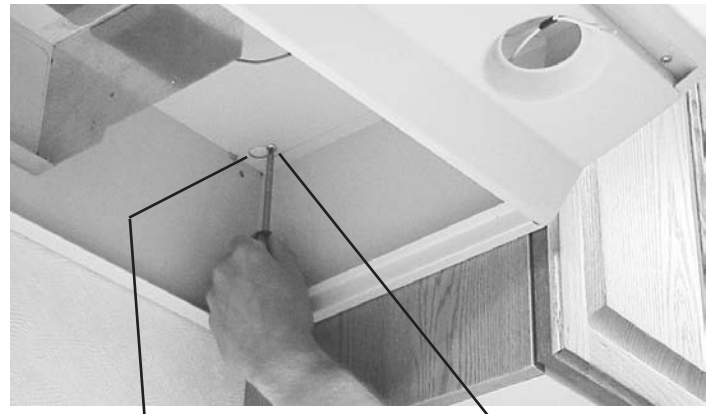
- 1 Haga la **conexión eléctrica del suministro doméstico** (120 VCA) en la campana. Si es necesario, use un pedazo de **cartón** para proteger la superficie de la estufa.



TORNILLO VERDE DE CONEXIÓN A TIERRA

- 2 Conecte el cable negro del suministro doméstico con el cable negro de la campana, el cable blanco del suministro doméstico con el cable blanco de la campana y la conexión a tierra del suministro doméstico debajo del **tornillo verde de conexión a tierra**. Apriete fijamente una grapa para cable eléctrico a cableado doméstico.

INSTALACIÓN DE LA CAMPANA



ORIFICIO TIPO BACALLAVE (4) TORNILLO DE MONTAJE (4)

- 1 Cuelgue la campana de los (4) **tornillos de montaje** (que se encuentran en la bolsa de piezas). Deslice la campana hacia la pared hasta que los tornillos de montaje queden conectados en el extremo angosto de los (4) **orificios tipo bacallave**. Apriete fijamente los tornillos de montaje. Un destornillador largo funciona mejor.

- 2 Vuelva a colocar la cubierta inferior.



CINTA PARA CONDUCTOS

- 3 Conecte el sistema de conductos en la campana. Use **cinta para conductos** para fijar y sellar las uniones.



FOCO DE HALÓGENO PAR20, 50W MAX. (2)
- 0 -
R16, 40W MAX. BULBOS INCANDESCENTES (2)

- 4 Instale (2) **focos de halógeno** PAR20, de 50 W máximo o (2) R16 **bulbos incandescentes** del máximo de 40W. Compre los bulbos por separado.



PRECAUCIÓN: ¡Los bulbos pueden ser calientes! Refiera a la **empaqueta del bulbo** para la información adicional.

- 5 Vuelva a colocar los filtros, conecte la energía en el panel de servicio, y revise el funcionamiento adecuado de la campana.

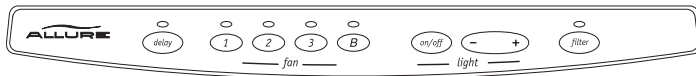
FILTROS SIN CONDUCTOS

Si la campana se va a instalar en un sistema sin conductos:

Compre un juego de (2) filtros para sistemas sin conductos en la tienda distribuidora o minorista de su localidad y sujete a los filtros de malla de aluminio.

NOTA: En el caso de los modelos con que están instalados en la modalidad sin conductos, la operación más eficiente se logra a logra a las velocidades 1 y 2. Estas velocidades proporcionan la operación más eficiente y silenciosa mientras se cocina, al mismo tiempo que maximizan las ventajas del sistema de filtración recirculante.

OPERACIÓN



Ventilador: 4 conmutadores de pulsadores. Presione el mismo pulsador para apagar el ventilador. Presione cualquier pulsador para seleccionar una de las cuatro velocidades del ventilador. Presione otro pulsador para cambiar la velocidad del ventilador. Una luz verde que se encuentra sobre cada pulsador indica la velocidad del ventilador.

Luces: Presione el pulsador "on/off" (de "encendido/apagado") y se encenderán las luces con la intensidad a la que estaban ajustadas antes de apagarlas. Para aumentar la intensidad de la luz, presione el pulsador "+". Para disminuir la intensidad de la luz, presione el pulsador "-". Puede seleccionar entre tres niveles de intensidad.

Apagado de retardo: Mientras el ventilador está funcionando, presione el pulsador "delay" (de "retardo") para permitir que el ventilador funcione durante 10 minutos más y luego se apague solo.

Indicador de cambio de filtro: La luz que se encuentra sobre "filter" ("filtro") se encenderá cuando sea hora de limpiar los filtros grasos o compraba los filtros del sistema sin conductos. Después de reemplazar los filtros nuevos o limpios, presione el pulsador "filter" par apagar la luz indicadora.

Heat Sentry: La campana de su estufa está equipada con la característica Heat Sentry que supervisa y controla la temperatura. Cuando la temperatura sea mayor que la normal, la característica Heat Sentry encenderá automáticamente el ventilador a la velocidad más alta.

1. Si hay un ajuste seleccionado del ventilador cuando Heat Sentry está funcionando, la luz indicadora que se encuentra sobre el pulsador del ventilador destellará.
2. Si el ajuste del ventilador está apagado cuando Heat Sentry está funcionando, la luz que se encuentra sobre el pulsador 3 del ventilador destellará rápidamente.

Cuando la temperatura disminuye hasta el valor normal, el ventilador regresará al ajuste que tenía antes de que la característica Heat Sentry se encendiera.

Fusible: El control para campana tiene un fusible protector contra sobrevoltaje. Si el fusible está abierto (se fundió), los indicadores verdes de nivel del ventilador funcionarán adecuadamente cuando se presionen los botones o los conmutadores del ventilador, pero ni el ventilador ni las luces se encenderán.

El fusible es de acción rápida, 5 x 20 mm, 10 amperios y 125 V (como mínimo). Los fabricantes comunes y números de piezas correspondientes son: Littlefuse, 271010; Bussmann, GMA10A; Wickmann, 1942100. Radio Shack, Digikey (1-800-344-4539), y la mayoría de las tiendas de accesorios eléctricos los tienen a la venta.

Para reemplazar el fusible:

1. Desconecte la energía en la entrada de servicio.
2. Quite los filtros, el panel inferior, el grupo de conductores de la

luz y el conducto de aire.

3. Quite y revise el fusible. Si **no** está abierto (fundido), necesitará realizar pruebas diagnósticas adicionales.
4. Instale un fusible nuevo.
5. Vuelva a montar el conducto de aire, el grupo de conductores de la luz, el panel inferior y los filtros.
6. Restablezca la energía y revise la operación del control y de la campana.

NOTA:

Esta campana utiliza un ventilador de compensación, diseñado para obtener un mejor desempeño y menores niveles de ruido. Como resultado, tal vez se dé cuenta de que las impurezas al cocinar se atraen más a un lado, o aparentan atraerse con más rapidez de lo que parece en el lado opuesto. Esto es totalmente normal. La campana ha sido diseñada y probada para captar bien las impurezas y los olores al cocinar en condiciones normales, sin importar la ubicación donde se cocine en la estufa. Tome en cuenta que al cocinar en los quemadores traseros siempre tendrá como resultado una mejor captación de las impurezas, sin importar el diseño de la campana.

LIMPIEZA



ADVERTENCIA: Para reducir el riesgo de una descarga eléctrica, desconecte el suministro eléctrico antes de limpiar la unidad.

Filtros de malla de aluminio: Limpie frecuentemente los filtros con agua caliente y un detergente suave. Los filtros se pueden lavar en lavaplatos. Limpie los filtros completamente metálicos en la lavaplatos con un detergente sin fosfatos. El filtro se puede decolorar si se utilizan detergentes con fosfato o como resultado de la condición del agua local, pero esto no afectará el desempeño del filtro. Esta decoloración no está cubierta por la garantía.

Filtros de carbón: NO sumerja los filtros en agua ni los coloque en el lavaplatos. Reemplace los filtros aproximadamente cada 6 meses. La característica especial "Clean Sense" (Detección de limpieza) indica cuando se debe reemplazar el filtro. Las líneas de puntos en la tira indicadora se convierten en líneas de ancho y sólido. La característica "Clean Sense" funciona mejor cuando se coloca orientada hacia la superficie para cocinar.

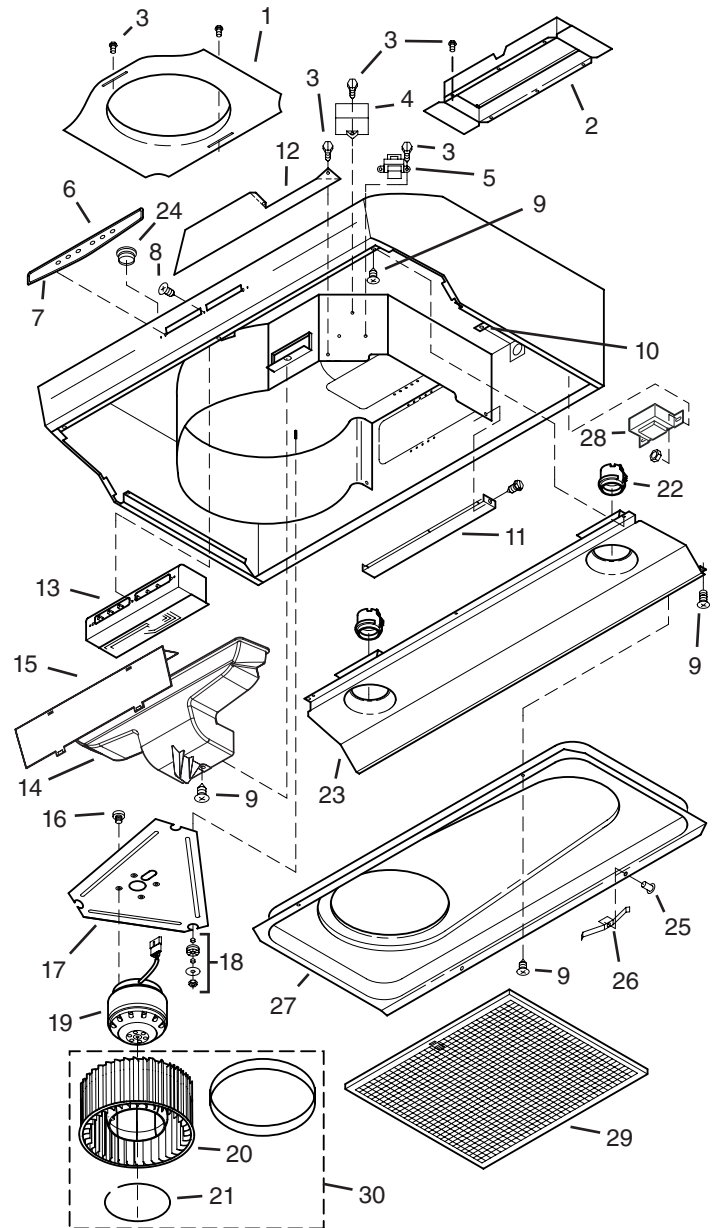
Para limpiar la campana: Quite los filtros. Use un paño húmedo y un detergente suave para limpiar las superficies con grasa. No use paños abrasivos, almohadillas de lana de acero, ni polvo desengrasador en la cubierta inferior recubierta de Teflón® ni en ninguna superficie pintada. Tenga cuidado cuando limpie la hoja del ventilador. No se debe doblar ni desalinearse. NO PERMITA LA ENTRADA DE AGUA EN EL MOTOR. Asegúrese de que todas las superficies estén completamente secas antes de volver a colocar los filtros y conectar la energía eléctrica.

El motor está permanentemente lubricado. No lubrique ni desmonte el motor.

Teflon® es una marca registrada de DuPont.

PIEZAS DE SERVICIO

CLAVE N.º	PIEZA N.º	DESCRIPCIÓN
1	R680508	Placa de conducto redondo de 7" (17.7 cm) (incluye herraje)
2	R740013	Regulador de tiro/conector de conducto (incluye herraje)
3	R602017	Tornillo hexagonal, #8-18 x 1/4 Hex* (2 en el paquete)
4	R334126	Capacitor del motor (incluye tuercas para alambre y herraje)
5	R501031	Transformador de aislamiento
6	R627505	Placa de datos, blanca
	R627506	Placa de datos, almendra
	R627507	Placa de datos, negra
	R627529	Placa de datos, café pálido
7	R169011	Panel de control, blanco (incluye clave N.º 6 y herraje)
	R169012	Panel de control, almendra (incluye clave N.º 6 y herraje)
	R169013	Panel de control, negro (incluye clave N.º 6 y herraje)
	R169014	Panel de control, café pálido (incluye clave N.º 6 y herraje)
8	R601535	Tornillo para plástico, #6 x 1/2, de cabeza plana (3 en el paquete)
9	R602534	Tornillo, #8-18 x 3/8 (2 en el paquete)
10	R602533	Tornillo de conexión a tierra
11	R680505	Cubierta deslizante, tomacorriente (incluye herraje)
12	R680507	Cubierta deslizante, frente (incluye herraje)
13	R111663	Conjunto del control (incluye claves N.º 6, 7 y herraje)
14	R401647	Juego de conducto para aire (incluye clave no. 15 y herraje)
15	R401646	Deflector
16	R601536	Tornillos métricos M4 x 6 mm (4 en el paquete)
17	R651973	Placa del motor (incluye clave N.º 18)
18	R169009	Juego de montaje de la placa del motor (3 de cada parte)
19	R520133	Motor (incluye clave N.º 17)
20	R531068	Rueda del ventilador (incluye clave N.º 21)
21	R607215	Anillo de retención
22	R111630	Conjunto del receptáculo de la lámpara
23	R7201731	Panel de luces, 30" (75 cm), blanco
	R7201751	Panel de luces, 36" (90 cm), blanco
	R7201771	Panel de luces, 42" (105 cm), blanco
	R7201732	Panel de luces, 30" (75 cm), almendra
	R7201752	Panel de luces, 36" (90 cm), almendra
	R7201772	Panel de luces, 42" (105 cm), almendra
	R7201734	Panel de luces, 30" (75 cm), negro
	R7201754	Panel de luces, 36" (90 cm), negro
	R7201774	Panel de luces, 42" (105 cm), negro
	R7201735	Panel de luces, 30" (75 cm), café pálido
	R7201755	Panel de luces, 36" (90 cm), café pálido
	R7201775	Panel de luces, 42" (105 cm), café pálido
	R720174	Panel de luces, 30" (75 cm), de acero inoxidable
	R720176	Panel de luces, 36" (90 cm), de acero inoxidable
	R720178	Panel de luces, 42" (105 cm), de acero inoxidable
24	R607660	Tapón (1 req.)
25	*	Remache tubular .1250 (3 req.)
26	R169016	Juego del resorte del filtro
27	R680512	Cubierta inferior, 30" (75 cm) (incluye claves N.º 9, 25 y 26)
	R680521	Cubierta inferior, 36" (90 cm) (incluye claves N.º 9, 25 y 26)
	R680528	Cubierta inferior, 42" (105 cm) (incluye claves N.º 9, 25 y 26)
28	R501035	Autotransformador (incluye herraje)
29	99010305	Filtro de malla de aluminio, 30" (75 cm) (2 en el paquete)
	99010306	Filtro de malla de aluminio, 36" (90 cm) (2 en el paquete)
	99010307	Filtro de malla de aluminio, 42" (105 cm) (2 en el paquete)
30	R730111	Conjunto de rueda del ventilador, sin conductos (incluye claves N.º 20 y 21)
**	99010308	Juego de filtros para sistemas sin conductos, 30" (75 cm)
**	99010309	Juego de filtros para sistemas sin conductos, 36" (90 cm)
**	99010310	Juego de filtros para sistemas sin conductos, 42" (105 cm)
**	R111668	Harness de alambres
**	R564074	Fusible de control, 10-Amp



Las piezas de recambio se pueden ahora pedir en nuestro Web site. Visítenos por favor en www.Broan.com

Pida piezas de repuesto indicando el N.º de la PIEZA, no el N.º de la CLAVE

*Herraje estándar, se puede comprar en la localidad.

** No se ilustra, se compra por separado

GARANTIA

GARANTIA BROAN-NUTONE LIMITADA POR UN AÑO

Broan-NuTone garantiza al consumidor comprador original de sus productos que dichos productos carecerán de defectos en materiales o en mano de obra por un período de un año a partir de la fecha original de compra. NO EXISTEN OTRAS GARANTIAS, EXPLICITAS O IMPLICITAS, INCLUYENDO, PERO NO LIMITADAS A, GARANTIAS IMPLICITAS DE COMERCIALIZACION O APTITUD PARA UN PROPOSITO PARTICULAR.

Durante el período de un año, y a su propio criterio, Broan-NuTone reparará o reemplazará, sin costo alguno cualquier producto o pieza que se encuentre defectuosa bajo condiciones normales de servicio y uso.

LA PRESENTE GARANTÍA NO CUBRE LOS TUBOS FLUORESCENTES NI SUS ARRANCADORES, BOMBILLAS DE HALÓGENO E INCANDESCENTES, FUSIBLES, FILTROS, CONDUCTOS, TAPONES DE TECHO O PAREDES Y DEMÁS ACCESORIOS PARA CONDUCTOS. Esta garantía no cubre (a) mantenimiento y servicio normales o (b) cualquier producto o piezas que hayan sido utilizadas de forma errónea, negligente, que hayan causado un accidente, o que hayan sido reparadas o mantenidas inapropiadamente (por otras compañías que no sean Broan-NuTone), instalación defectuosa, o instalación contraria a las instrucciones de instalación recomendadas.

La duración de cualquier garantía implícita se limita a un período de un año como se especifica en la garantía expresa. Algunos estados no permiten limitaciones en cuanto al tiempo de expiración de una garantía implícita, por lo que la limitación antes mencionada puede no aplicarse a usted.

LA OBLIGACION DE BROAN-NUTONE DE REPARAR O REEMPLAZAR, SIGUIENDO EL CRITERIO DE BROAN-NUTONE, DEBERA SER EL UNICO Y EXCLUSIVO RECURSO LEGAL DEL COMPRADOR BAJO ESTA GARANTIA. BROAN-NUTONE NO SERA RESPONSABLE POR DAÑOS INCIDENTALES, CONSIGUIENTES, O POR DAÑOS ESPECIALES QUE SURJAN A RAIZ DEL USO O DESEMPEÑO DEL PRODUCTO. Algunos estados no permiten la exclusión o limitación de daños incidentales o consiguientes, por lo que la limitación antes mencionada puede no aplicarse a usted.

Esta garantía le proporciona derechos legales específicos, y usted puede también tener otros derechos, los cuales varían de estado a estado. Esta garantía reemplaza todas las garantías anteriores.

Para calificar en la garantía de servicio, usted debe (a) notificar a Broan-NuTone al domicilio o al número de teléfono abajo, (b) dar el número del modelo y la identificación de la pieza, y (c) describir la naturaleza de cualquier defecto en el producto o pieza. En el momento de solicitar servicio cubierto por la garantía, usted debe de presentar evidencia de la fecha original de compra.

Broan-NuTone LLC, 926 West State Street, Hartford, Wisconsin 53027 www.broan.com 800-558-1711