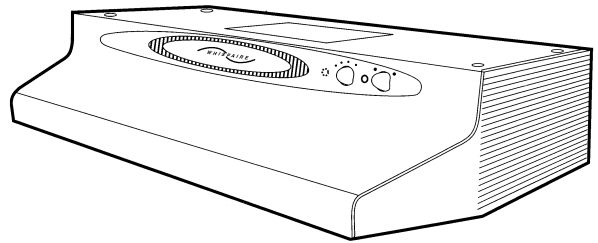


QT SERIES CONVERTIBLE RANGE HOODS



Consumer research shows that most people use their range hoods less frequently because of loud fan noise. That's why the Quiet Series was developed - to be 40% quieter.

FEATURES

- Three (3) installation options:
 - 3 ¼" x 10" (82.6 mm x 254 mm), horizontal or vertical discharge
 - 7" (177.8 mm) round, vertical discharge
 - non-ducted, using RFQTC filter (sold separately)
- Infinite, rotary speed control offers quiet fan operation
- Rotary light control
- Two 40W, type A-15 appliance bulbs provide a bright cooktop lighting (bulbs not included)
- Translucent, Polymeric light lens - easily removed for re-lamping
- Convenient night-light
- Thermally-protected, plug-in motor
- Electronically-balanced, polymeric fan-blade
- Washable, aluminum mesh grease filter
- Optional non-ducted filter (RFQTC) for particulate and odour removal
- Keyhole mounting slots for easy installation
- Available in 30" or 36" widths
- Powder-coated, baked enamel finishes in White, Almond, Biscuit, and Black, as well as Stainless Steel construction

TYPICAL SPECIFICATION

The Range Hood shall be a Broan QT Series.

It will be 30" (762 mm) or 36" (914.4 mm) and have a finish White, Almond, Biscuit, Black or be constructed of Stainless Steel finish.

The Range Hood must be convertible between 3 ¼" x 10" (82.6 mm x 254 mm), 7" (177.8 mm) round, and non-ducted discharges. It will use a washable aluminum grease filter (ducted discharge) as well as a non-ducted, particle and odor filter #RFQTC (sold separately).

The motor assembly shall have a thermally-protected, plug-in motor, and a one-piece polymeric fan blade. Fan speed to be controlled by an infinite rotary speed control. Cooktop lighting to be provided by two (2) 40W, A-15 type appliance bulbs. Bulbs will be operated using a rotary control with night-light feature (bulbs sold separately).

All air and sound ratings shall be HVI certified. Units to be UL listed and CSA certified.



HVI-2100 CERTIFIED RATINGS comply with new testing technologies and procedures prescribed by the Home Ventilating Institute, for off-the-shelf products, as they are available to consumers. Product performance is rated at 0.1 in. (2.54 mm) static pressure, based on tests conducted in AMCA's state-of-the-art test laboratory. Sones are a measure of humanly-perceived loudness, based on laboratory measurements.



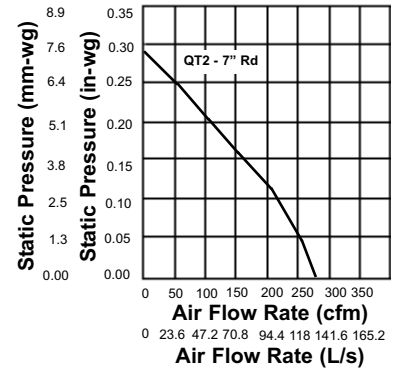
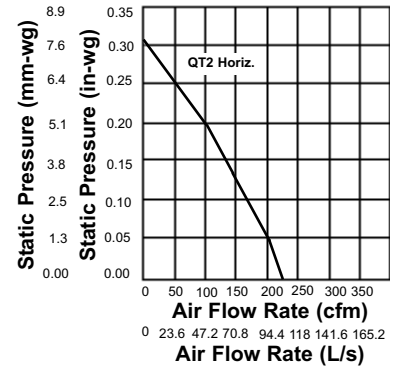
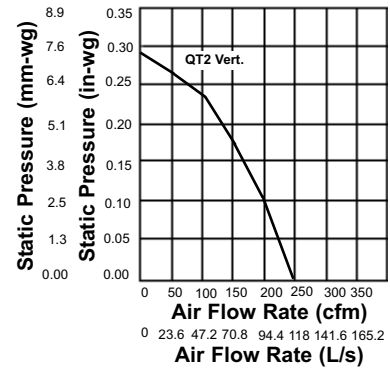
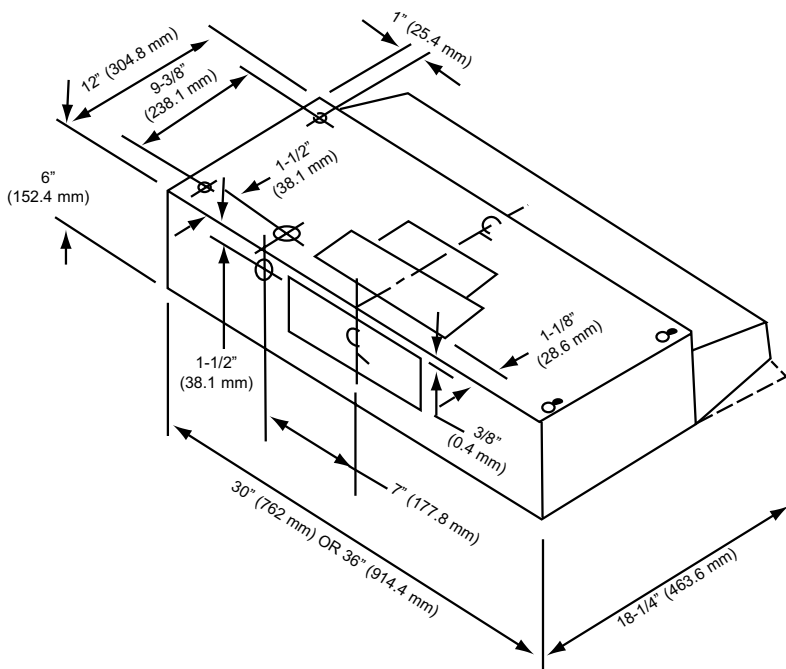
Broan-NuTone LLC, 926 West State Street, Hartford, Wisconsin, USA 53027 (1-800-637-1453)
Broan-NuTone Canada Inc., 1140, Tristar Drive, Mississauga (Ontario) CANADA L5T 1H9 (1 888 882-7626)

REFERENCE	QTY.	REMARKS	Project
			Location
			Architect
			Engineer
			Contractor
			Submitted by Date

PERFORMANCE RATINGS — QT SERIES CONVERTIBLE RANGE HOODS

SPECIFICATIONS

VOLTS	Hz	AMPS	CFM (L/s)			SONES			DUCT (mm)
			VER.	HOR.	ROUND	VER.	HOR.	ROUND	
120	60	1.7	210 (99.1)	180 (85.0)	210 (99.1)	5.0	6.0	5.5	3-1/4" x 10" (82.6 mm x 254 mm) OR 7" (177.8 mm) Round



MODELS AVAILABLE

SIZE	WHITE	BISCUIT	ALMOND	BLACK	STAINLESS STEEL
30"	QT230WWN	QT230BCN	QT230AAN	QT230BLN	QT230SSN
36"	QT236WWN	-	QT236AAN	QT236BLN	QT236SSN



HVI-2100 CERTIFIED RATINGS comply with new testing technologies and procedures prescribed by the Home Ventilating Institute, for off-the-shelf products, as they are available to consumers. Product performance is rated at 0.1 in. (2.54 mm) static pressure, based on tests conducted in AMCA's state-of-the-art test laboratory. Sones are a measure of humanly-perceived loudness, based on laboratory measurements.

